

**SYLVANIA**

**SYLVANIA**

Feilo Sylvania International Group  
Duna Tower  
Népfürdő Street 22  
1138 Budapest, Hungary  
T: +3618805900  
E: info.cee@sylvania-lighting.com



Although every effort has been made to ensure accuracy in the compilation of the technical detail within this publication, specifications and performance data are constantly changing. Current details should therefore be checked with Feilo Sylvania Europe Limited. Copyright Feilo Sylvania Europe Limited December 2021

[sylvania-lighting.com](http://sylvania-lighting.com)

A Feilo Sylvania Company

# Professional Collection 2022

Architectural and specification lighting

Light your world





---

**Light your world**

At Sylvania we empower people to control their environment, giving them the freedom to grow, think, work, play; to live and to focus on the things that matter.

# Bringing light to life, we've got it covered

## Our Products

### START TM eco

Sylvania's simple, cost effective, 3 year warranty trade range for energy efficient lighting of commercial and residential premises.

### START TM

Sylvania's contractor focused 5 year warranty range for a wider choice of applications including commercial and industrial.

## SYLVANIA

Sylvania are one of the world's leading light specialists. Not only do we design and manufacture lighting solutions, we push the boundaries of technology and strive to innovate in everything we do. Our specification luminaires range offers the choice, functionality and flexibility to meet your individual project requirements.

## Concord

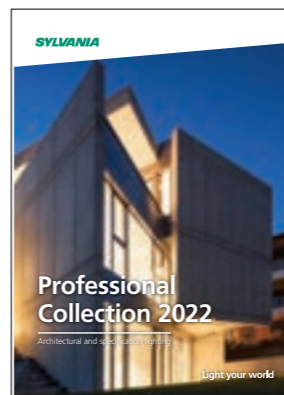
Concord luminaires by Sylvania provide one of Europe's most respected architectural lighting ranges for high specification architectural lighting. With a strong manufacturing base in the UK, Concord luminaires are renowned for their influential design ethos, high technical performance and aesthetic form.

## TRADE AND INSTALLER COLLECTION



Fast, simple, cost effective lighting 2022

## PROFESSIONAL COLLECTION



Architectural and specification lighting 2022

## SYLVANIA

For over 100 years Sylvania has been an innovator in lamps technology. The company was the first to establish mass production of fluorescent lamps and invented the first dichroic reflector. We continue to invest in our research centres and LED technologies to stay at the forefront of the replaceable light source industry in the coming decades.

## LAMPS RANGE



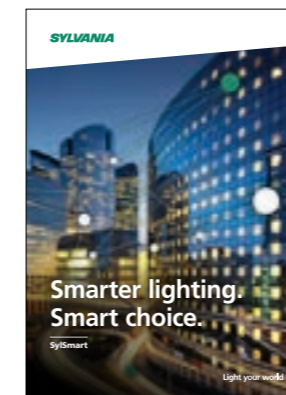
Lamps Catalogue 2022

## Our Solutions

### SylSmart Intelligent Lighting Control

Sylvania's smart lighting control system, SylSmart allows users to harness light like never before. Light can be controlled throughout an entire room or building, ensuring incredible flexibility in lighting control, combined with maximum energy efficiency. SylSmart solutions are rapidly installed, easy to commission and fully customisable to tailor the light to your needs

## WIRELESS CONTROL SYSTEMS

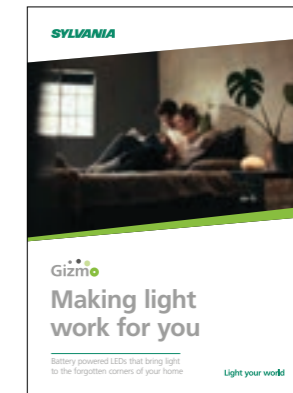


For full details on our SylSmart Controls systems please visit [sylvania-lighting.com/sylsmart](http://sylvania-lighting.com/sylsmart)

## YourHome

Sylvania's YourHome range is designed with the consumer in mind. We supply the perfect luminaire or lamp for every home application. From creating a warm ambient light in the living room to a productive, functional atmosphere in the home office, all of our solutions are shaped around the flexibility required by our customers to light their homes to their individual tastes.

## CONSUMER RANGE

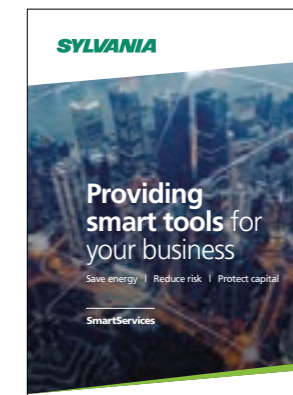


For full details on our consumer products, such as LED Pipe, Sylmirror, Gizmo Indoor and Gizmo Outdoor - please visit [sylvania-lighting.com](http://sylvania-lighting.com)

### SmartServices for complete peace of mind

Smart Services are designed to compliment Sylvania's comprehensive range of light fixtures, both indoor and outdoor, providing a total solution service. Our services will take your project through the required steps from conception, and energy audit, all the way to completion plus commissioning, via all the required key stages including project financing with Smarter Finance

## LIGHTING SERVICES PORTFOLIO



For full details on our SmartServices portfolio please visit [sylvania-lighting.com/smart-services](http://sylvania-lighting.com/smart-services)



## Living in natural light



### Driven by the Sun

We humans have thrived over 200'000 years under natural sunlight. Our brain activity is linked to the rhythm of the Sun.



### Time indoors

Due to modern lifestyle, 90% of our time is spent indoors. When our cognitive activity is at its strongest, we are most often subjected to artificially lit environments.



### Lighting plays a major role

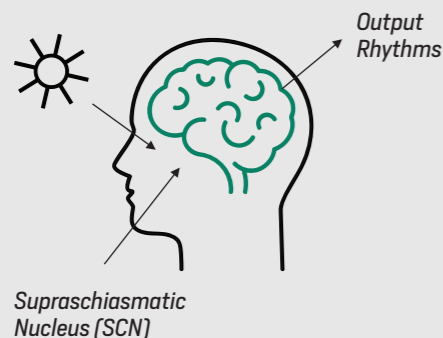
It has a significant impact on how people feel and how they perform.



### Physiological response

Light regulates so much more than what we see – beyond visible light. Natural-like light can impact:

- Your mood
- Your behaviour
- Your cognitive functions
- Your motivation levels
- Your sleep/wake cycles

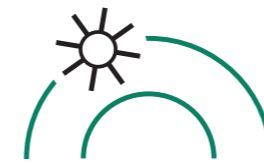


### Circadian rhythm

Circadian rhythms are physical, mental and behavioural changes that follow roughly a 24-hour cycle responding primarily to light and darkness in an organism's environment. They can influence important bodily functions, sleep/wake cycles, hormone releases and more.

## LumiNature

### Fuller, richer, more natural light - no blue peak



Our LumiNature lighting delivers a complete and balanced spectral distribution with all colours of light more evenly represented while eliminating the blue peak. This produces a natural, full-spectrum artificial light which enriches the colour of its surroundings and removes a major contributor to disturbed health cycles. Combine this with class-leading low glare optical solutions of Sylvania and Concord luminaires with exceptional low flicker rates for enhanced occupant comfort.

### Excellent colour rendering - ideal for many applications



Get the most natural and truest colour reproduction in your spaces thanks to our exceptional colour rendering and colour fidelity across all colour temperatures. Enjoy all the benefits of more depth of colour and contrast without ultra-violet or infrared.

LumiNature provides high CRI97+ from all colour temperatures, including the truest reds (R9>90).

## ...bringing the Sunlight indoors

### Dynamic light - 100% adapted to the circadian rhythm



Our intelligent, wireless SylSmart system enables dimmable, auto-adjusting tunable white light, that respects the circadian rhythm of the Sun while also enabling full optimisation, automation, personalised control and flexibility. All installed with minimum effort and 100% programmed using the SylSmart mobile app.

### Rich and energising light – the role of melatonin

Melatonin is often referred to as a sleep hormone that regulates our chronobiological rhythms. Furthermore it is an anti-oxidant as well as an anti-aging hormone that can support the fight against cancer. Melatonin is vital to the wellbeing of humans. Melatonin production is heavily influenced by the right kind of light at the right time of the day which the Sun delivers effortlessly. Too much time under standard artificial light reduces the body's ability to regulate the level of this unique hormone.

LumiNature ignites your body's healthy cycle for improved sleep, stronger productivity, and better health. Working in conjunction with your biological clock, it regulates a beneficial melanopic ratio throughout the day.



# 360 Services

Without regular maintenance light levels can fall by up to **30%** 30% in 2-3 years, leading to more lights being turned on to compensate.

**360 Services are available for all projects, however large or small, and can be used in any combination.**

To access 360 Services simply speak with your local Sylvania representative or visit: [sylvania-lighting.com/360services](http://sylvania-lighting.com/360services) for more information.

## For a complete peace of mind



**360 Services can assist you in delivering your projects on time whilst achieving energy efficiency, carbon savings, compliance, peace of mind or simply discovering what is actually in your estate.**

### Audit

This can be as simple as creating an asset register, to as critical as ensuring Emergency Lighting compliance. A Sylvania Audit can also discover the opportunities for your business to make efficiency gains and savings.

### Design

What's best for your project? Where do the fixtures need to go? Is my Emergency Lighting in the right place? Use the Sylvania Design service to provide you with a professional lighting design and all the associated outputs.

### Turnkey installation

As a 'one stop shop' Sylvania will Project Manage your project, install the new lighting equipment, remove and recycle the old equipment and ensure your new equipment is setup, optimised and customised to suit your operation.

### Commissioning

You've got your new lighting infrastructure – ensure that it is setup in the most efficient manner, it is compliant or just have some changes made, following a change in layout – use the Sylvania Commissioning option.

### Measurement & Verification

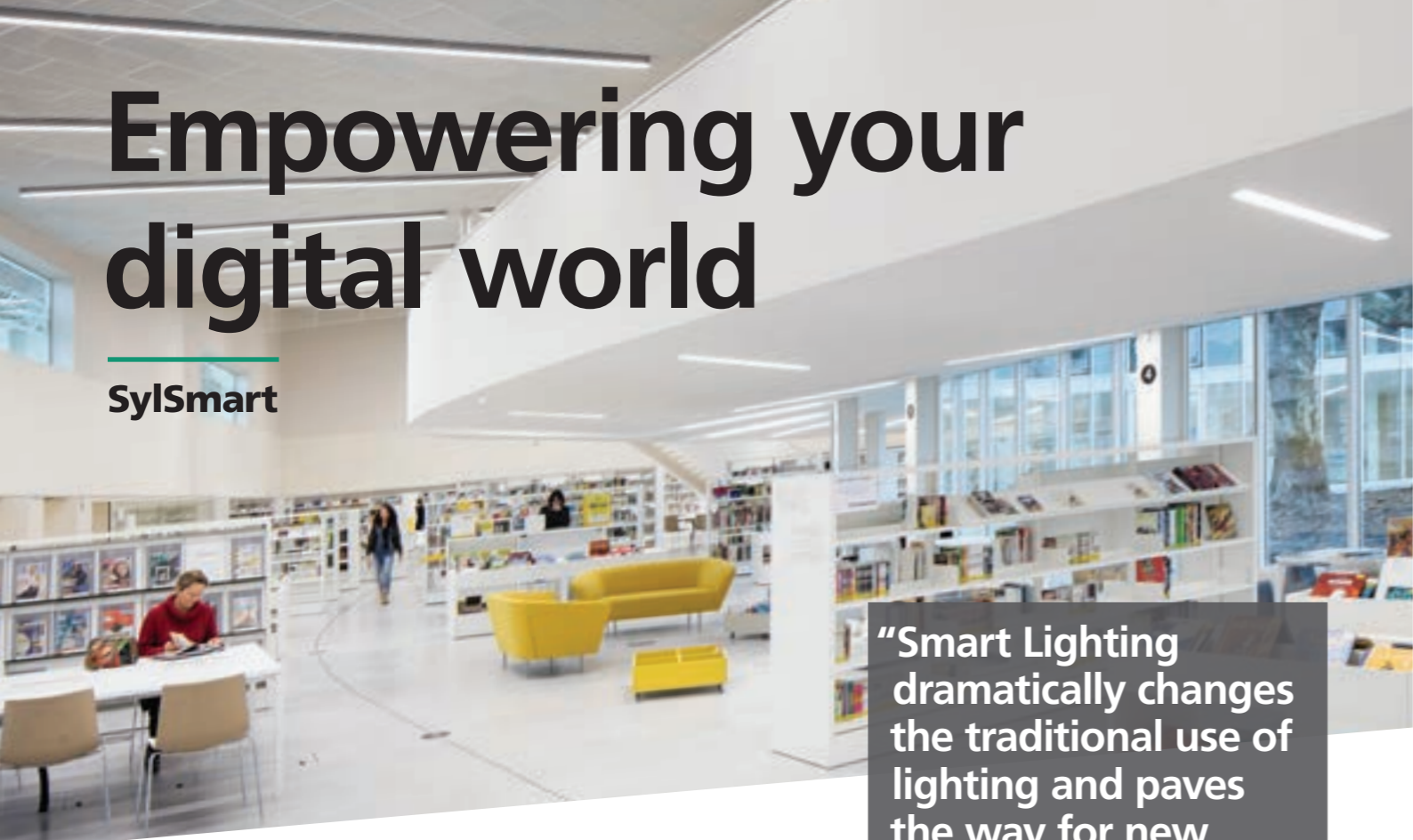
Our M&V service captures the real time energy consumption of your premises existing and new lighting solution. Verifying actual savings compared to proposed ROI. Through the remote M&V tool it is possible to oversee your site: detect anomalous working, receive notifications and reports. The power is in your hands!

### Maintenance

Keep your infrastructure in tip top condition; ensure continued compliance and efficient operation.

# Empowering your digital world

SylSmart



“Smart Lighting dramatically changes the traditional use of lighting and paves the way for new opportunities”

EDWARD LEES  
Head of Technical Product Development  
Smart Lighting

## Key benefits:

- No new cables, no disruption**  
wireless technology making installation easy
- Easy programming**  
intuitive tools put power back into your hands, no engineers needed
- High flexibility**  
customise your system to get the light you want
- Hassle-free operation, low maintenance**  
highly flexible intelligent lighting control features manages it all for you
- Abundant energy savings**  
highly intelligent – will deliver massive savings and enable access to energy efficiency certificates for your building
- Redundancy & reliability**  
decentralised intelligence ensuring no single point of failure
- Designed with security built in**  
user access controlled and highly encrypted
- Future proof**  
always up-to date & upgradeable



For more information go to [sylvania-lighting.com/sylsmart](https://sylvania-lighting.com/sylsmart)

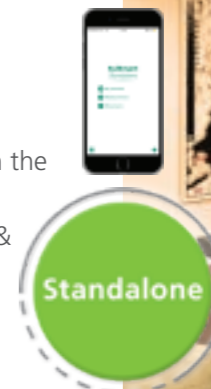
## SylSmart Standalone

**MAXIMUM CONTROL. MINIMUM INSTALLATION.**

**Multifunctional & easy to control**  
ideal for smaller applications

Advantages: extremely versatile, intuitive & fast configuration through the app, grouping & scheduling, colour control, daylight linking tunable white, occupancy control – all at touch of button using self powered & energy harvesting wall switch

**APPLICATION:** SUITS SMALL AREAS IN MOST BUILDINGS, OFFICE, EDUCATION, RETAIL, HOSPITALITY, LOGISTIC OR INDUSTRY SPACES



## SylSmart Connected

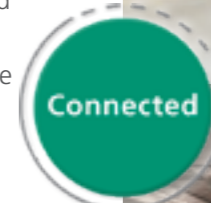
**UNLOCK THE INTELLIGENT BUILDING**

**Modular, scalable and secure – luminaire integrated control system optimised for multiple interconnected rooms in buildings, large scale warehouses and industry**

Advantages: no additional wires or hardware required, floorplan based pre-configuration remotely through cloud, rapid app-based on-site setup and optimisation, personalised lighting experience, interoperable platform for IoT and BMS integration, impressive savings up to 90% & ROI in less than 3 years

**COMMERCIAL APPLICATIONS:** COMMERCIAL OFFICE, DATA CENTERS, HEALTHCARE, EDUCATION, CAR PARKS

**INDUSTRY APPLICATIONS:** WAREHOUSES, STORAGE ROOMS, FACTORIES, PRODUCTION LINES



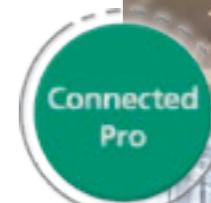
## SylSmart Connected Pro

**OPEN YOUR MIND TO THE IOT POSSIBILITIES.**

**Data driven efficiency – futureproof lighting infrastructure that delivers value beyond light itself**

Advantages: location based services, energy monitoring, emergency response, occupancy analytics and maintenance planning

**APPLICATION:** APPLICABLE IN ANY SEGMENT WHERE DATA VISUALISATION, CONTROL & INTEGRATION ARE ESSENTIAL



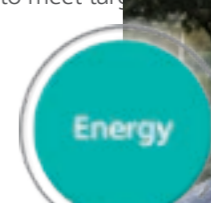
## SylSmart Energy

**DRIVING EFFICIENT AND CARBON-FREE BUSINESS.**

**Real time insights & sustainability actions toward Net Zero - digital platform to oversee and enhance energy performance of your site**

Advantages: real time energy metering, status monitoring, notifications of anomalous working; analysis and proof of savings post site upgrades, decarbonisation to meet targets and regulations of CO2 emission, track actions toward further efficiencies and cleaner energy

**APPLICATION:** APPLICABLE IN ANY SEGMENT WHERE DATA VISUALISATION, CO2 COMPLIANCE & SUSTAINABILITY ARE ESSENTIAL



 <b>Warranty</b> Warranty period in years	 <b>New</b> Please enquire regarding stock availability	 <b>Coming soon</b> Preliminary technical data Please enquire for availability
 <b>Non Dimmable</b> Product is not dimmable	 <b>Mains Dim</b> Product is mains dimmable	 <b>Dim To Warm</b> Colour warms when dimmed
 <b>Switch Dim</b> On-board dimming option	 <b>Dual Tone White</b> Adjustable from warm white to cool white via on-board switch	 <b>1-10V</b> 1-10V dimming option available
 <b>DALI</b> DALI dimming option available	 <b>SylSmart</b> Smart Wireless Control Enabled	 <b>Tunable White</b> Customized white light via external control
 <b>RGB</b> RGB colour change option available	 <b>RGBW</b> RGBW colour change option available	 <b>Microwave</b> Microwave sensor option available
 <b>PIR</b> There is a PIR sensor option available	 <b>IP Rating</b> Ingress protection against dust and liquid <i>* Rating behind ceiling void is IP20</i>	 <b>IK Rating</b> Level of impact protection
 <b>SDCM</b> SDCM rating for measurement of colour consistency	 <b>UGR</b> Glare rating is UGR <16 or <19 or above	 <b>CRI</b> Colour rendering index levels
 <b>Beam Angle</b> Angle of light distribution	 <b>Tilt Angle</b> Angle in which the fixture can be tilted	 <b>Rotation Angle</b> Angle in which the fixture can be rotated
 <b>Insulation Class I</b> Protection against electric shock by protective earthing	 <b>Insulation Class II</b> Protection against electric shock by double or reinforced insulation, but no protective earth	 <b>Insulation Class III</b> Protection against electric shock by using power supply with safety extra-low voltage
 <b>Emergency</b> 3 hour emergency versions	 <b>CE</b> Conforms to European regulations	 <b>EAC</b> Conforms to Eurasian regulations
 <b>Max Ambient Temp.</b> Maximum environmental temperature	 <b>Cut Out</b> Dimension of cut out required to install product	 <b>Without Lamp</b> Product comes without lamp
 <b>Coolfit Lamp</b> Ensures overheat and overtemperature protection	 <b>LumiNature</b> Natural light recreated	

Level of protection from solid and liquid materials

<b>0</b>	No special protection	<b>0</b>	No special protection
<b>1</b>	Protection from solid objects greater than 50mm in diameter, such as a hand.	<b>1</b>	Protection against condensation
<b>2</b>	Protection against objects not greater than 80mm in length and 12mm in diameter	<b>2</b>	Protection against water droplets deflected up to 15° from vertical
<b>3</b>	Protection from solid objects greater than 2.5mm or more	<b>3</b>	Protection against spray up to 60° from vertical
<b>4</b>	Protection against solid objects larger than 1mm	<b>4</b>	Protection against water spray from all directions
<b>5</b>	Protection against dust that may harm equipment	<b>5</b>	Protection against low pressure water jets from all directions
<b>6</b>	Totally dust-tight	<b>6</b>	Protection against high pressure water jets and waves
<b>IP 66</b>		<b>7</b>	Protection against temporary immersion
		<b>8</b>	Protection against prolonged effects of submersion under pressure. Submersion depth to be specified.*

Level of protection against mechanical impacts.

<b>00</b>	Not protected
<b>01</b>	Protected against 0.14 joules impact.
<b>02</b>	Protected against 0.2 joules impact.
<b>03</b>	Protected against 0.35 joules impact.
<b>04</b>	Protected against 0.5 joules impact.
<b>05</b>	Protected against 0.7 joules impact.
<b>06</b>	Protected against 1 joules impact.
<b>07</b>	Protected against 2 joules impact.
<b>08</b>	Protected against 5 joules impact.
<b>09</b>	Protected against 10 joules impact.
<b>10</b>	Protected against 20 joules impact.



## PRODUCT CATEGORIES



### RECESSED MODULAR SURFACE AND SUSPENDED

Concord Optix Recessed	16
Concord Optix Surface	17
Concord Optix Asymmetric R	18
Concord Optix Asymmetric SSP	19
Concord Optix 4 Cells	20
Concord Optix MPO Surface	21
Concord Optix Linear Recessed	22
Concord Optix Linear Surface	23
Concord Curvelyte	24
Concord Colossal	25



### PENDANT

Concord Myriad Pendant	26
Concord TubiXx	27



### SPOT

Concord Exospot	28
-----------------	----



### ARCHITECTURAL DOWNLIGHTS

Concord Ascent 50	30
Concord Ascent 100 II IP65	31
Concord Ascent 100 II Arch	32
Concord Ascent 100 II Deco	33
Concord Ascent 150 II	34
Concord Ascent 150 II Wallwasher	35



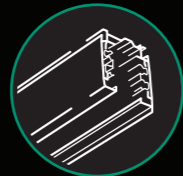
### SPOTLIGHTS

Concord Domino	36
----------------	----



### ARCHITECTURAL TRACKLIGHTS

Concord Beacon LED	37
Concord Beacon LED XL	38
Concord Beacon LED XXL	39
Concord Beacon Accent	40
Concord Beacon Accent XL	41
Concord Beacon Muse II	42
Concord Beacon Muse XL	43
Concord Beacon Muse Xicato	44
Concord Beacon Muse Xicato XL	45
Concord Beacon Tune II	46
Concord Beacon Tune XL II	47
Concord Beacon Muse Tune II	48
Concord Beacon Projector	49
Concord Beacon Wallwash	50
Concord Beacon Shelf	51



### TRACK

Concord Lytespan I	52
Concord Lytespan III	54



### TRUNKING

<b>SYLVANIA</b> RTS	56
<b>SYLVANIA</b> Isoline	57



### EMERGENCY

<b>START</b> Emergency Bulkhead	58
<b>START</b> Emergency Exit	59
<b>START</b> Emergency Spot	60
<b>SYLVANIA</b> SylSafe Spot	61
<b>SYLVANIA</b> SylSafe Exit	62
<b>SYLVANIA</b> SylSafe N-Light	64
<b>SYLVANIA</b> SylSafe Bay	65
<b>SYLVANIA</b> SylSafe Twin	66
Concord Routled II	67



### LANDSCAPE

Concord Muro Recessed	68
Concord Muro Surface	69



### ROADWAY LIGHTING

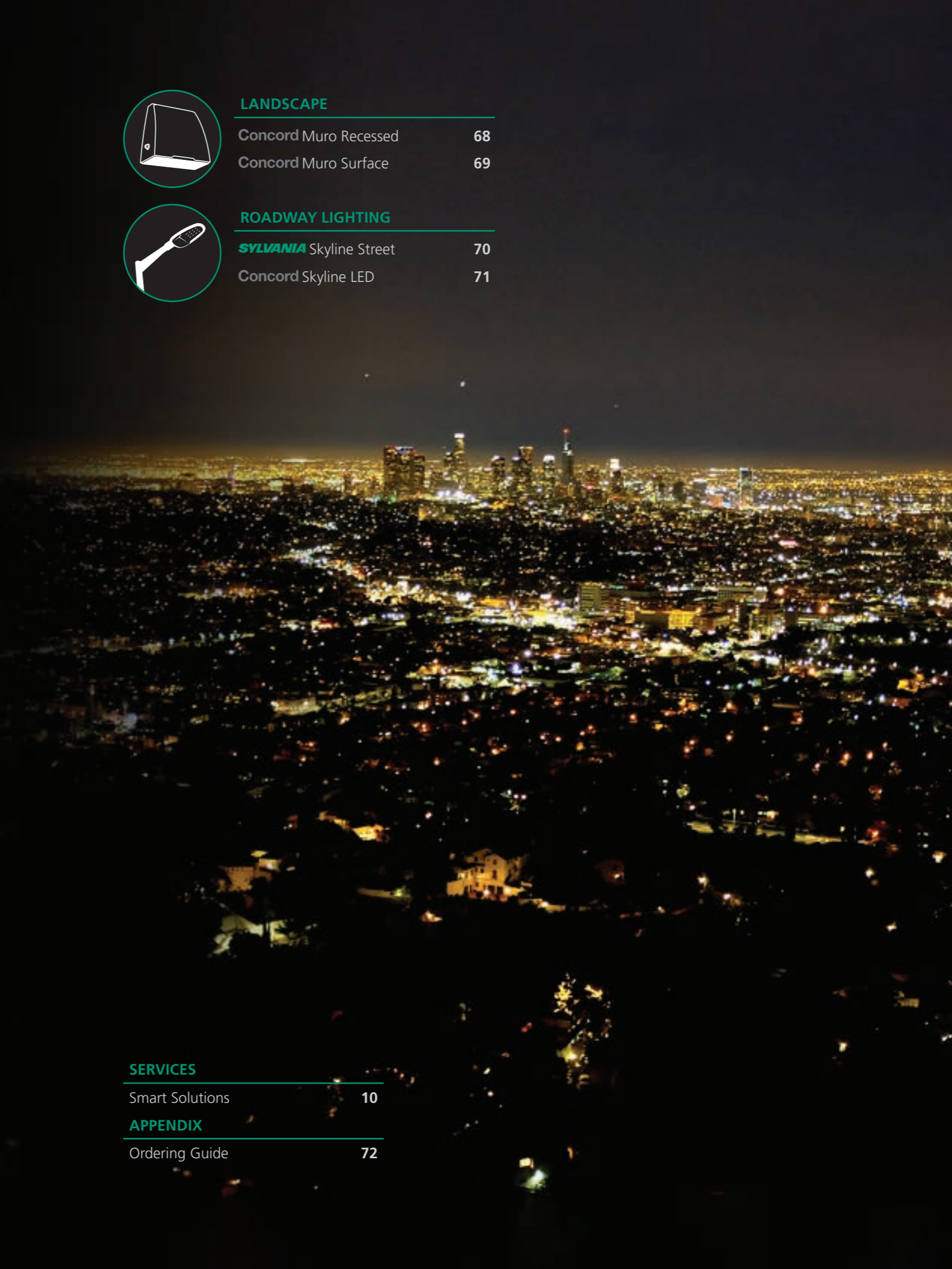
<b>SYLVANIA</b> Skyline Street	70
Concord Skyline LED	71

### SERVICES

Smart Solutions	10
-----------------	----

### APPENDIX

Ordering Guide	72
----------------	----



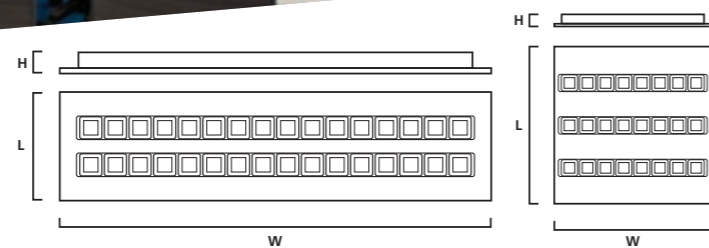


# Concord Optix Recessed



## Features

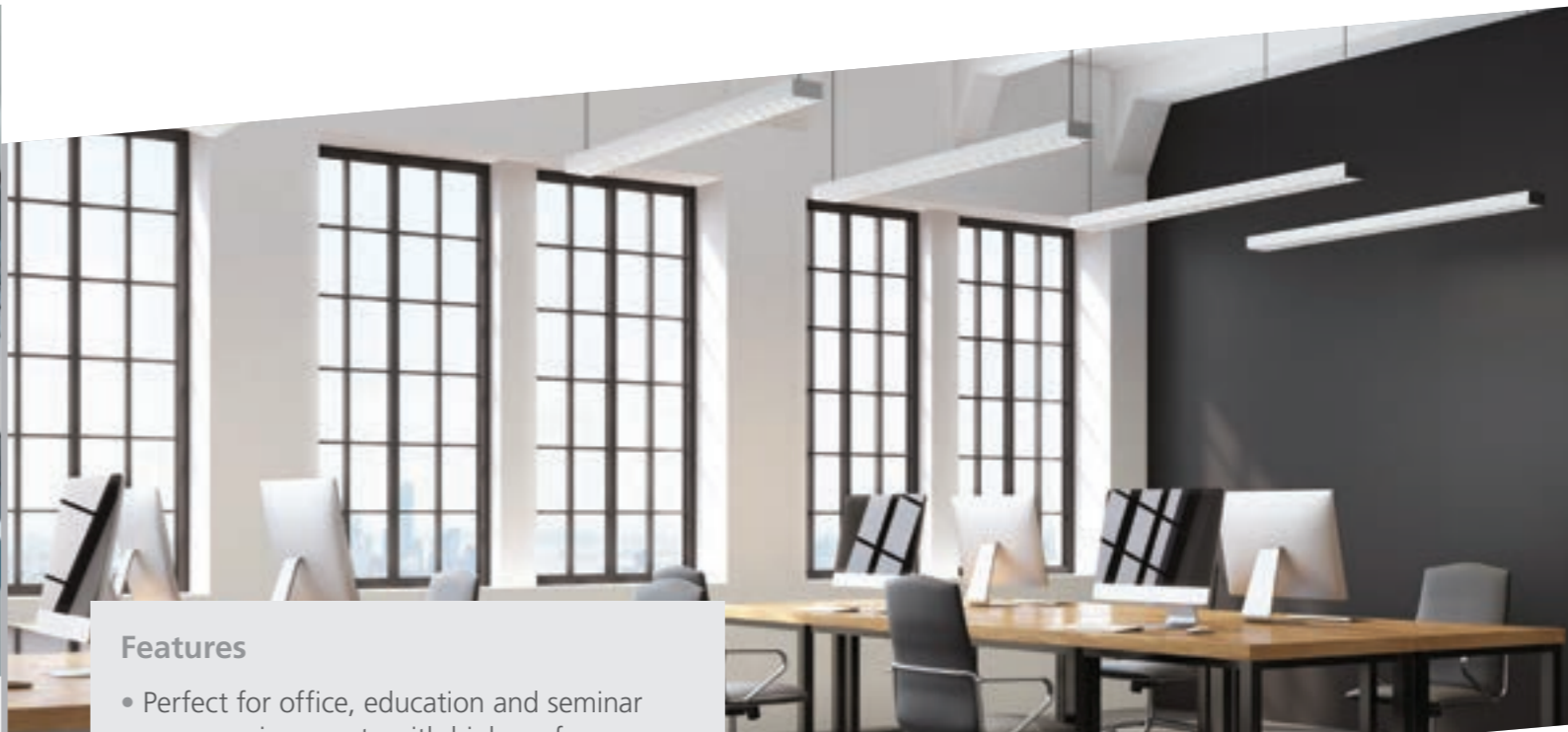
- Designed for office, education and seminar room environments, with high performance glare-controlled optics with optimised diffusers and reflectors
- High efficiency, up to 147lm/W
- Glare control optics available in two finishes (UGR<16 with aluminised optics, UGR<19 with white optics)
- Modular design allows for a range of sizes to suit the building layout
- Low LED flicker <5%
- Available in 3,000K, 4,000K, Tunable White and LumiNature
- Long lifespan: 100,000 hours (L80B20)



Size (W x L x H)	Wattage	Lumen	UGR
600mm x 600mm x 38mm	21W	2,800lm	<16
600mm x 600mm x 38mm	20W	2,850lm	<19
600mm x 600mm x 38mm	26W	3,400lm	<16
600mm x 600mm x 38mm	23W	3,350lm	<19
600mm x 600mm x 38mm	33W	4,500lm	<16
600mm x 600mm x 38mm	31W	4,550lm	<19
625mm x 625mm x 38mm	26W	3,600lm	<16
625mm x 625mm x 38mm	24W	3,450lm	<19
1200mm x 300mm x 38mm	26W	3,600lm	<16
1200mm x 300mm x 38mm	24W	3,450lm	<19
1250mm x 310mm x 38mm	26W	3,600lm	<16
1250mm x 310mm x 38mm	24W	3,450lm	<19

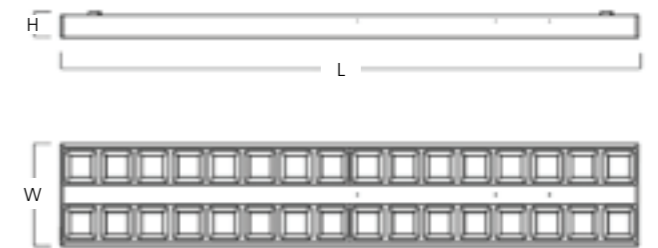


# Concord Optix Surface & Suspended

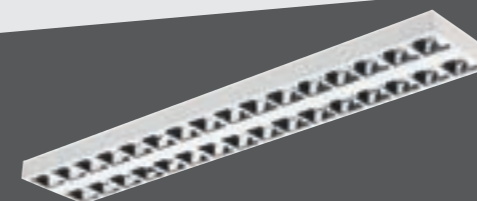


## Features

- Perfect for office, education and seminar room environments, with high performance glare-controlled optics with optimised diffusers and reflectors
- High efficiency, up to 160 lm/W
- Surface and Suspended mounted versions of the Optix family
- Suspended luminaires available with Direct / Indirect lighting for visual comfort
- Low LED flicker <5%
- Glare control optics available in two finishes (UGR<16 with aluminised optics, UGR<19 with white optics)
- Available in 3,000K, 4,000K, Tunable White and LumiNature
- Suspension accessories are separately available based on installation needs
- Continuous line mounting and through wiring options available with accessories
- Long lifespan: 100,000 hours (L80B20)



Size (W x L x H)	Lighting Distribution	Wattage	Lumen	UGR
1130mm x 200mm x 50mm	D	26W	3,600lm	<16
1130mm x 200mm x 50mm	D	23W	3,600lm	<19
1130mm x 200mm x 50mm	D/I	29W	4,100lm	<16
1130mm x 200mm x 50mm	D/I	25W	4,100lm	<19
1130mm x 200mm x 50mm	D/I	36W	5,600lm	<16
1130mm x 200mm x 50mm	D/I	35W	5,600lm	<19
1410mm x 200mm x 50mm	D/I	49W	7,000lm	<16
1410mm x 200mm x 50mm	D/I	44W	7,000lm	<19



# Concord Optix Asymmetric Recessed

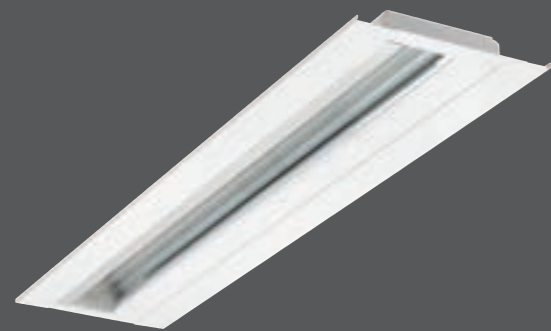


## Features

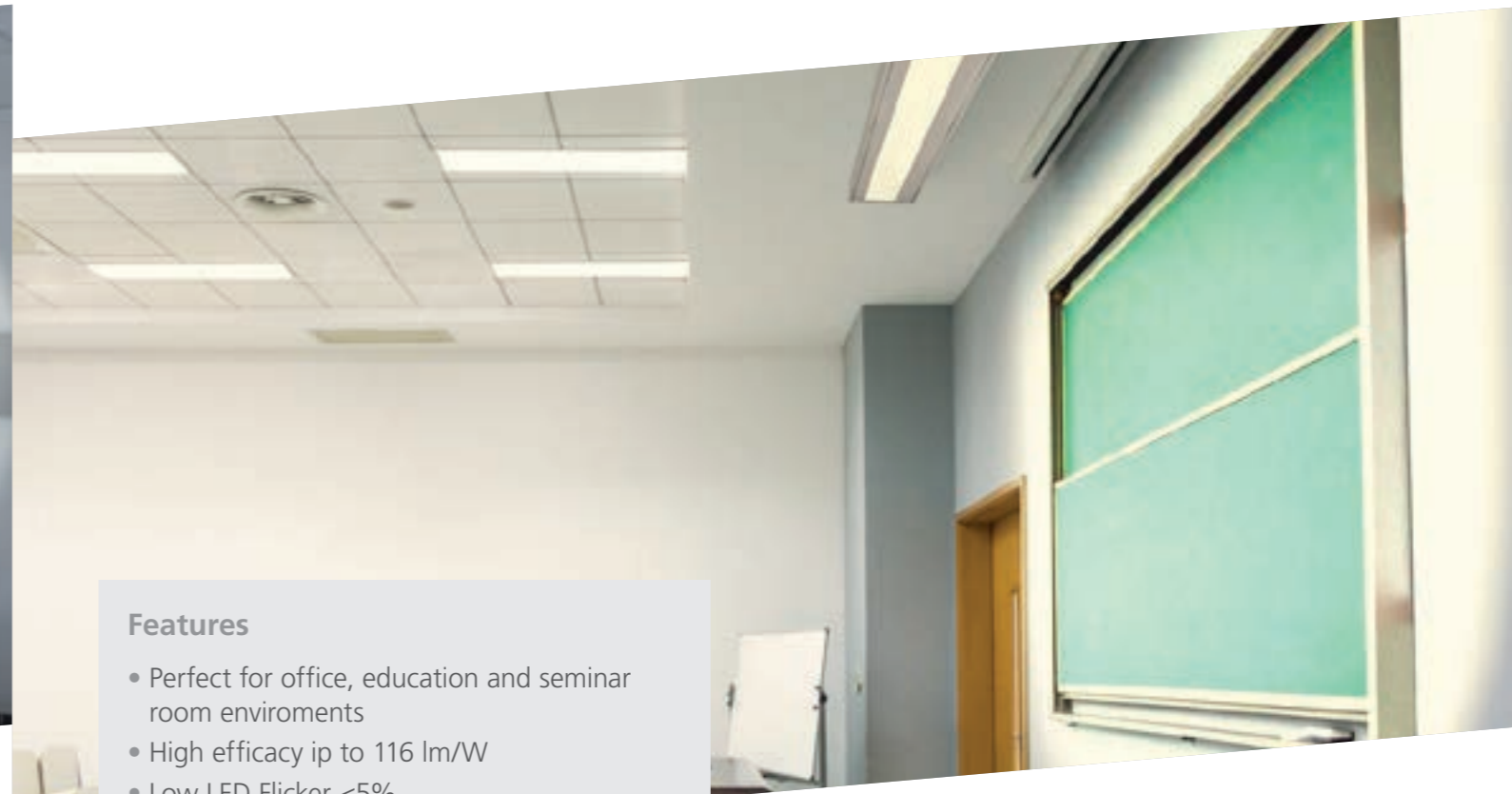
- Perfect for office, education and seminar room environments
- High efficacy up to 116 lm/W
- Low LED Flicker <5%
- Available in 3000K or 4000K
- Long lifespan: 100.000 hours (L80B20)



Size (L x W x H)	Wattage	Lumen
1196mm x 293mm x 52mm	30W	3,480lm

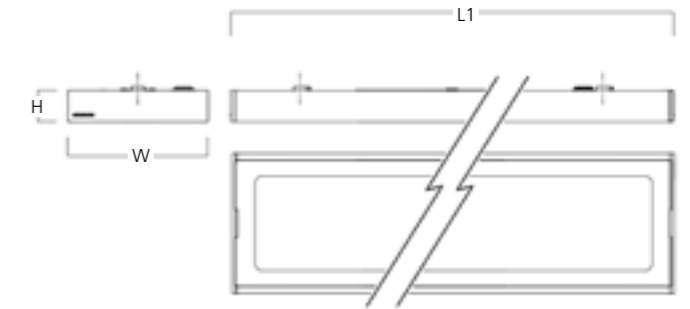


# Concord Optix Asymmetric Surface & Suspended



## Features

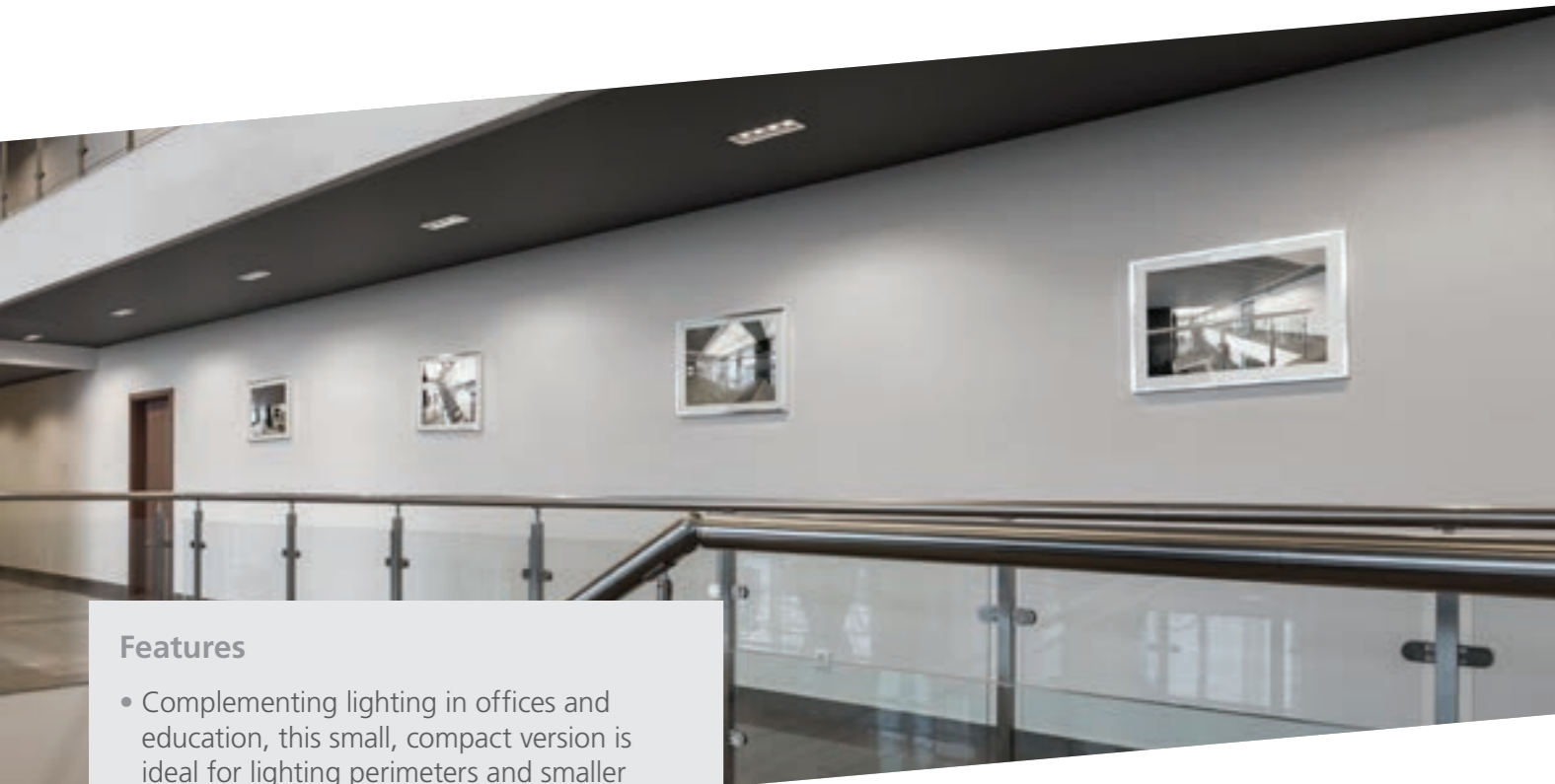
- Perfect for office, education and seminar room environments
- High efficacy up to 116 lm/W
- Low LED Flicker <5%
- Available in 3000K or 4000K
- Long lifespan: 100.000 hours (L80B20)



Size (L x W x H)	Wattage	Lumen
1200mm x 200mm x 50mm	30W	3,480lm
1480mm x 200mm x 50mm	37W	4,250lm

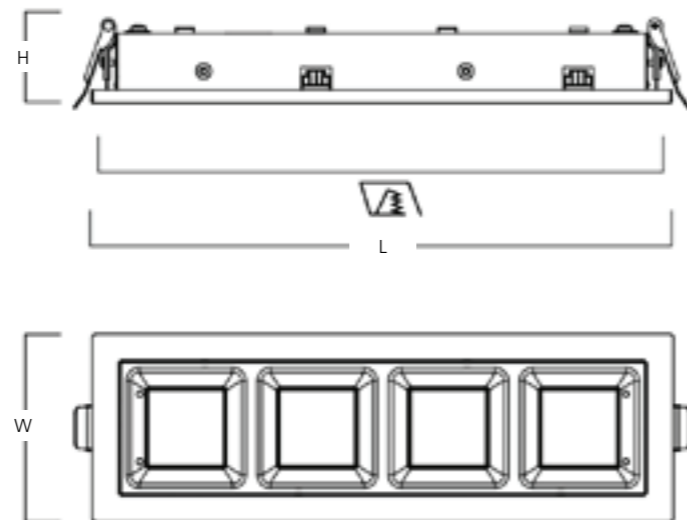


# Concord Optix 4 Cells

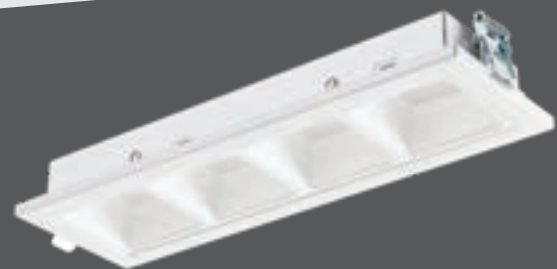


## Features

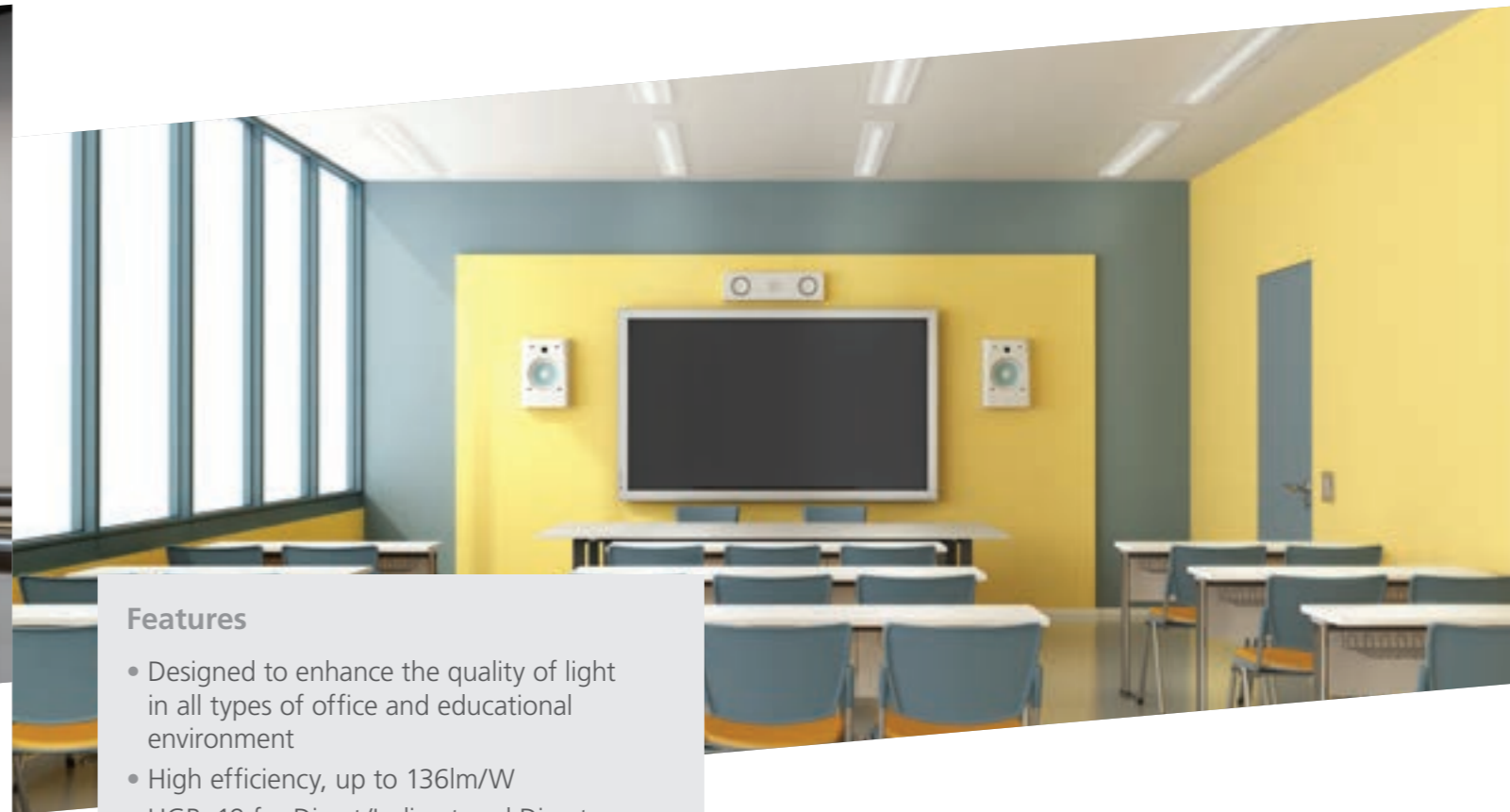
- Complementing lighting in offices and education, this small, compact version is ideal for lighting perimeters and smaller spaces. High efficiency, up to 122lm/W
- High quality steel housing, plastic optical unit and reflector
- Optics available in two finishes (office compliant UGR<18 with aluminised optics, white optic with UGR<22 makes lighting more visible for a brighter ceiling )
- Modular design allows for a range of sizes to suit the building layout
- Low LED flicker <5%
- Available in 3,000K or 4,000K
- Long lifespan: 100,000 hours (L80B20)



Size (L x W x H)	Cutout	Wattage	Lumen	UGR
310mm x 100mm x 45 mm	305 x 82	9W	1,098lm	<22
310mm x 100mm x 45 mm	305 x 82	9W	1,010lm	<18

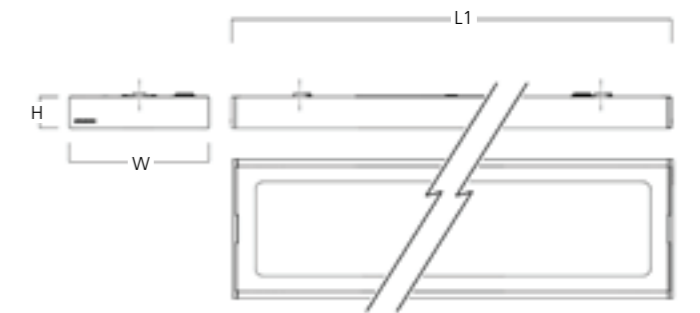


# Concord Optix MPO Surface & Suspended



## Features

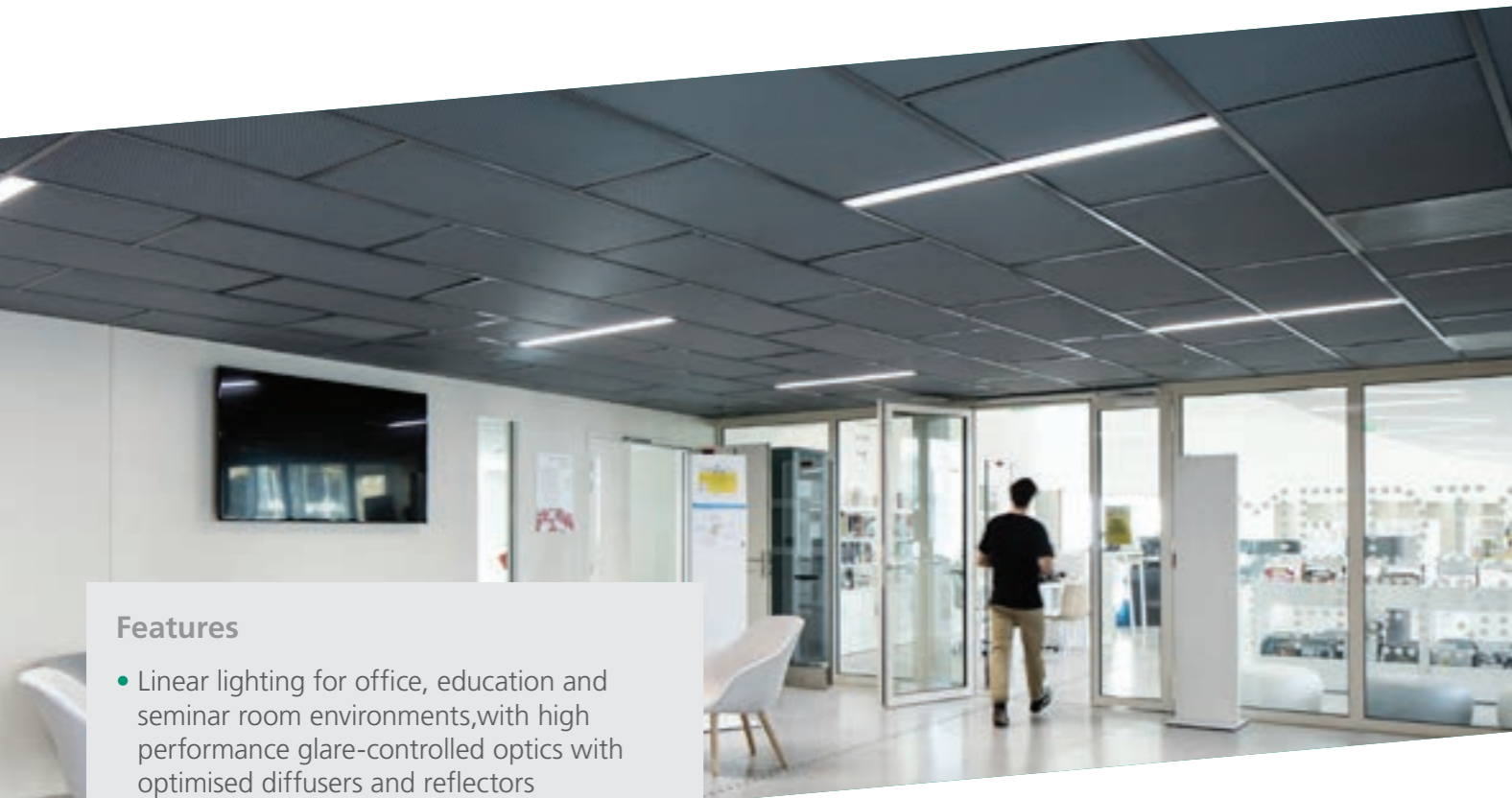
- Designed to enhance the quality of light in all types of office and educational environment
- High efficiency, up to 136lm/W
- UGR<19 for Direct/Indirect and Direct standard output
- Direct and Direct/indirect light distribution
- Direct version can be surface and suspended
- Direct/Indirect version is suspended
- Standard and high lumen option up to 6650lm
- Body: sheet steel painted white (RAL9016)
- Optic: micro-prismatic acrylic diffuser
- Available in 4,000K
- Long lifespan: 100,000 hours (L80B20)



Size (L x W x H)	Lighting Distribution	Wattage	Lumen	UGR
1200mm x 200mm x 50mm	D	23W	2,863lm	<19
1200mm x 200mm x 50mm	D	30W	3,550lm	<19
1200mm x 200mm x 50mm	D / I	36W	4,900lm	<19
1200mm x 200mm x 50mm	D / I	44W	5,770lm	<19
1500mm x 200mm x 50mm	D	36W	4,350lm	<19
1500mm x 200mm x 50mm	D / I	49W	6,550lm	<19

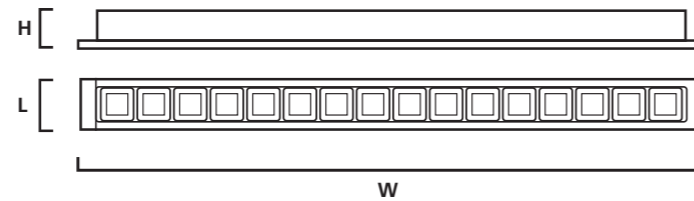


# Concord Optix Linear Recessed



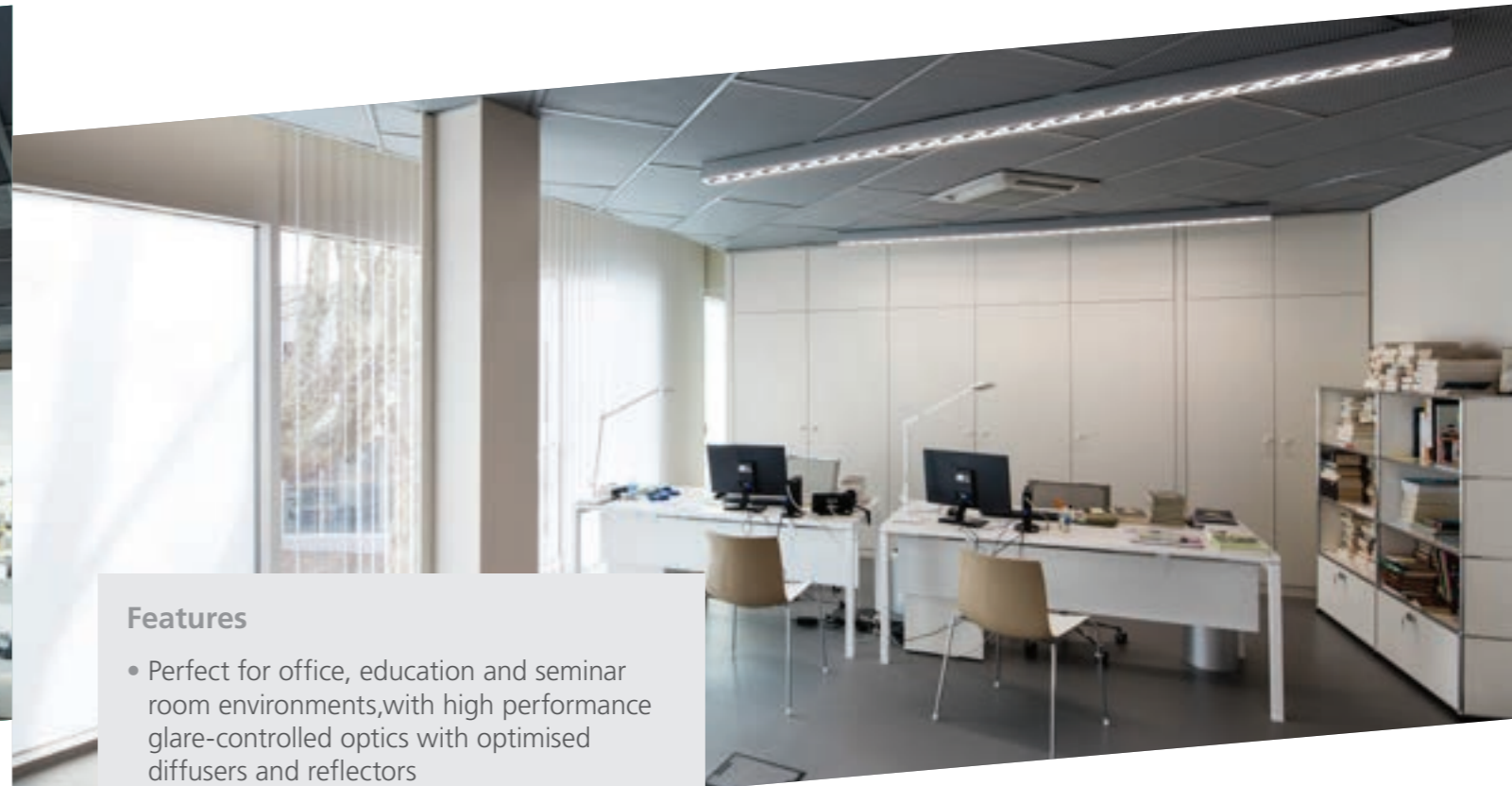
## Features

- Linear lighting for office, education and seminar room environments, with high performance glare-controlled optics with optimised diffusers and reflectors
- High efficiency, up to 131lm/W (4,000K - CRI80)
- Glare control optics available in two finishes (UGR <16 with aluminised optics, UGR <19 with white optics)
- Modular design allows for lengths to be joined to suit the building layout
- Continuous line mounting and through wiring options available with accessories
- Low LED flicker <5%
- Available in 3,000K, 4,000K, Tunable White and LumiNature
- Long lifespan: 100,000 hours (L80B20)



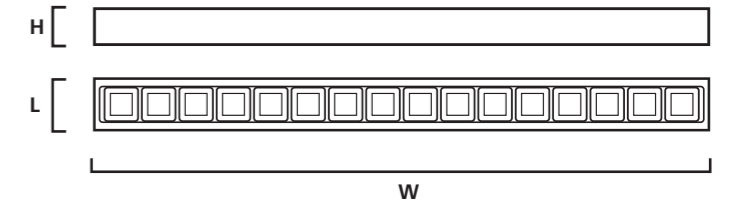
Size (W x L x H)	Wattage	Lumen	UGR
1200mm x 90mm x 89mm	26W	3,400lm	<19

# Concord Optix Linear Surface & Suspended

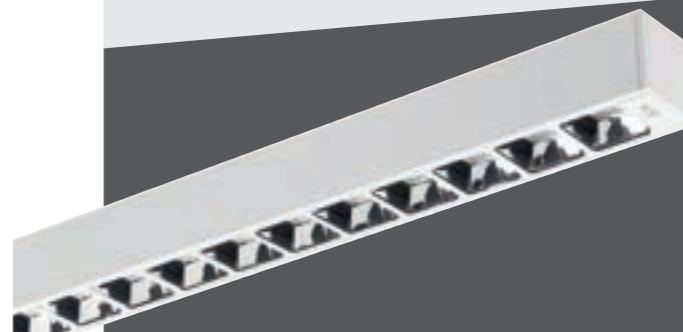
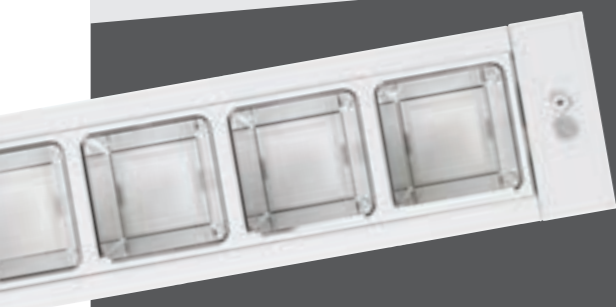


## Features

- Perfect for office, education and seminar room environments, with high performance glare-controlled optics with optimised diffusers and reflectors
- High efficiency, up to 145lm/W
- Suspension accessories are separately available based on installation needs
- Aluminised and white optics for UGR<16 and UGR<21 respectively
- Low LED flicker <5%
- Continuous line mounting and through wiring options available with accessories
- Mechanical, suspending and through wiring accessories available on request
- Available in 3,000K, 4,000K, Tunable White and LumiNature
- Long lifespan: 100,000 hours (L80B20)



Size (W x L x H)	Lighting Distribution	Wattage	Lumen	UGR
1130mm x 90mm x 86mm	D	26W	3,400lm	<19
1130mm x 90mm x 86mm	D/I	31W	4,500lm	<16



# Concord Curvelyte



## Features

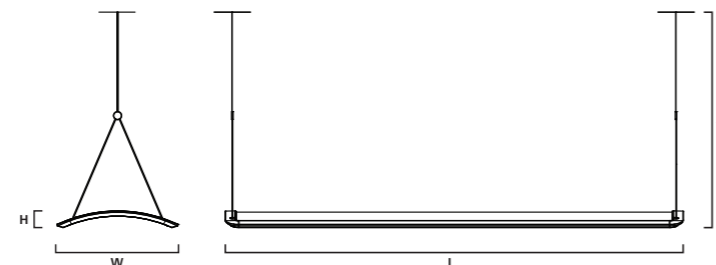
- Curved architectural shape, perfect for offices, schools and conference rooms
- High efficiency, up to 131 lm/W
- Direct - Indirect (70/30) lighting for ambient illumination
- Uniform light for aesthetic effects
- Powered through suspension cable for easy installation and better visual impact
- Surface mount accessories are available in different colours and shapes to enhance ceiling appearance
- Low LED flicker <5%
- Available in 3,000K or 4,000K
- Long lifespan: 161,000 hours (L70B50)



**Curvelyte box**  
(2 rectangle)

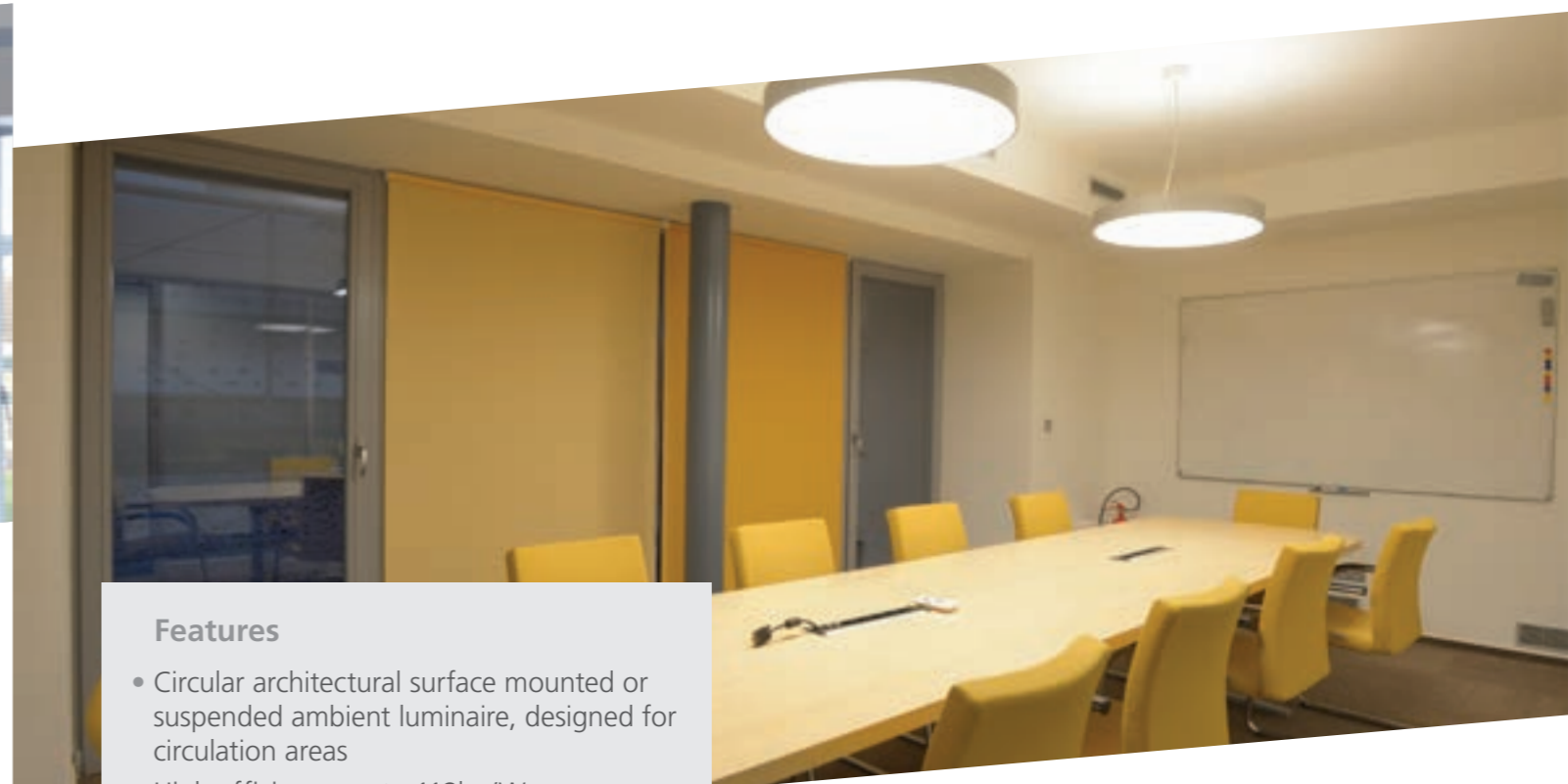


**Curvelyte box**  
(1 cylinder 1 rectangle)



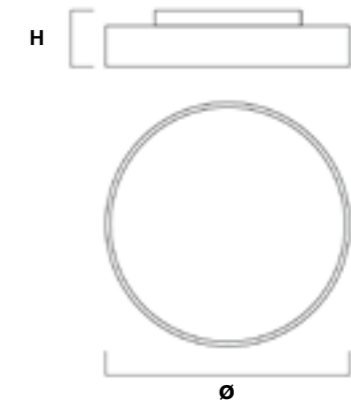
Size (W x L x H)	Wattage	UGR	Lumen
336mm x 1265mm x 45mm	55W	<22	6,250lm
336mm x 1265mm x 45mm	55W	<22	6,750lm
336mm x 1265mm x 45mm	55W	<19	5,000lm
336mm x 1265mm x 45mm	55W	<19	5,450lm
336mm x 1265mm x 45mm	55W	<23	6,600lm
336mm x 1265mm x 45mm	55W	<23	7,200lm
336mm x 1265mm x 45mm	55W	<19	5,300lm
336mm x 1265mm x 45mm	55W	<19	5,800lm

# Concord Colossal



## Features

- Circular architectural surface mounted or suspended ambient luminaire, designed for circulation areas
- High efficiency up to 118lm/W
- Direct light distribution
- Pendant version mounted using suspension cable accessory
- Aluminium housing with PMMA Acrylic diffuser for a comfortable visual uniformity
- Higher output, up to 15,000lm available soon
- Available in 3,000K or 4,000K
- Long lifespan: 60,000 hours (L70B50)



Size (Ø x H)	Wattage	Lumen
ø400mm x 73mm	30W	3,550lm
ø600mm x 73mm	32W	4,000lm
ø900mm x 73mm	62W	8,000lm
ø1200mm x 73mm	116W	15,000lm

\*Suspension cable up to 2000mm



For ordering guide please visit page 84.

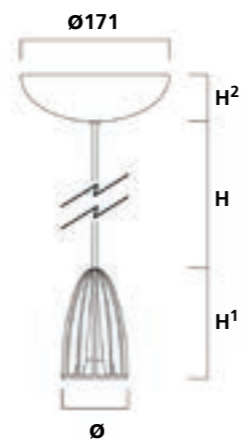
# Concord Myriad Pendant



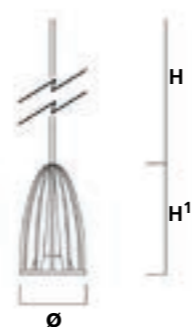
## Features

- High output and high efficiency architectural Pendant modules
- High efficiency up to 110lm/W
- Energy efficient light source with far superior luminous flux per watt than existing Low Voltage Halogen lamps
- Available in White Ral 9016, Silver Ral 9006 & Black Ral 9005
- Luminaires supplied complete with LED drivers
- Total circuit power 10W
- Surface mounted with ceiling rose or remote driver
- Available in 2,700K, 3,000K or 4,000K
- Long lifespan: 50,000 hours (L70B50)

### Surface mounted



### Remote gear

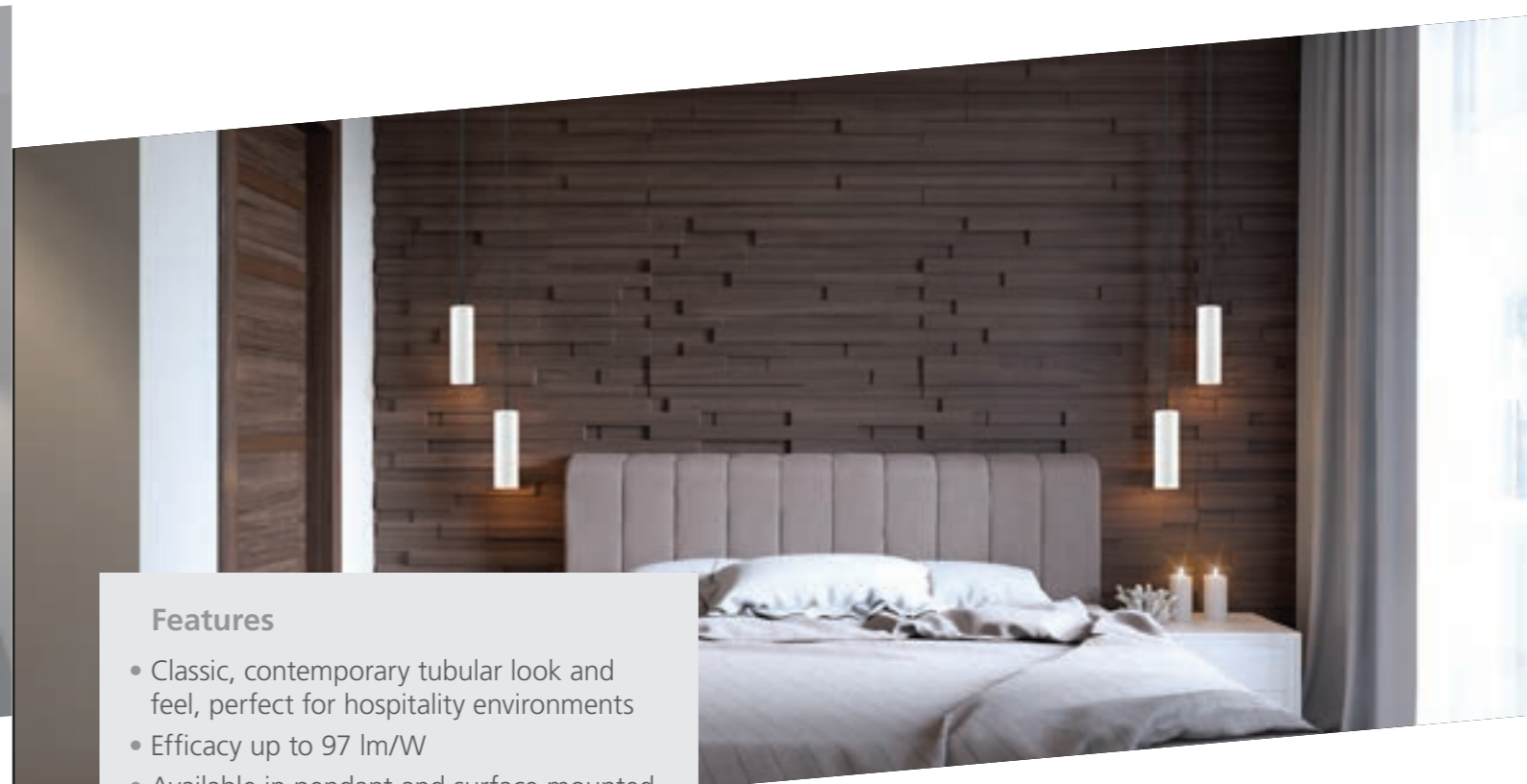


H = 1500mm cable length  
 H¹ = 129mm  
 H² = 58mm  
 \*3,000K version

Size (Ø x H¹)	Wattage	Lumen
Ø75mm x 129mm	10W	1,114lm*



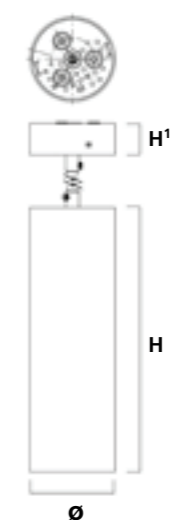
# Concord TubiXx



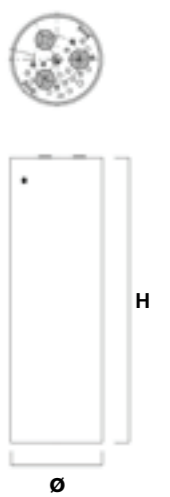
## Features

- Classic, contemporary tubular look and feel, perfect for hospitality environments
- Efficacy up to 97 lm/W
- Available in pendant and surface mounted versions
- Different colour finishes and reflectors
  - Black body with Gold reflector
  - White body with White reflector
  - White Body with Black reflector
- Available in 2,700K, 3,000K or 4,000K
- Long lifespan: 50,000 hours (L70B50)

### Pendant



### Surface

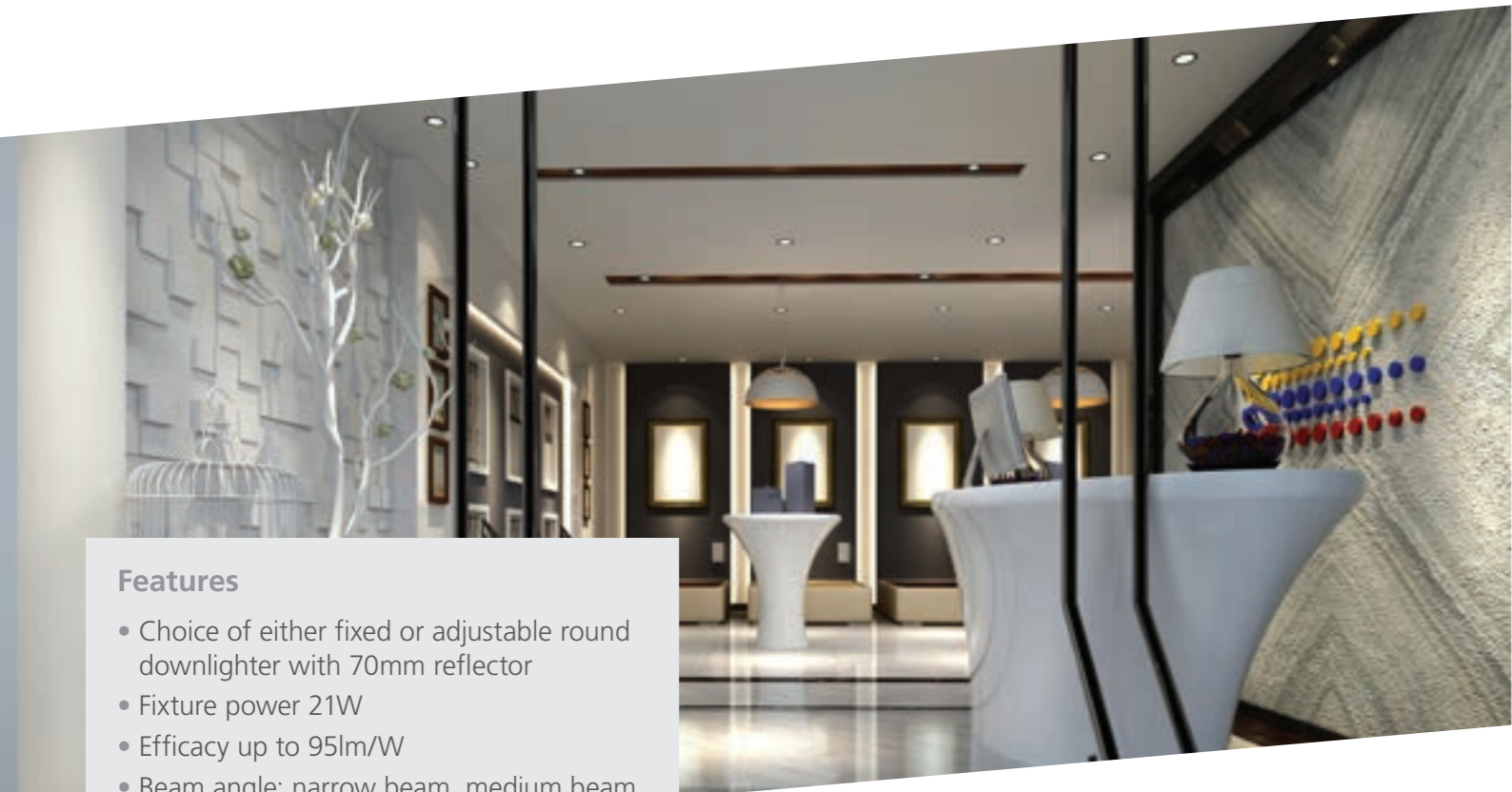


H¹ = 1500mm cable length  
 \*4,000K black/ gold version

Size (Ø x H)	Wattage	Lumen*
Ø80mm x 250mm	14W	1,361lm



# Concord Exospot



## Features

- Choice of either fixed or adjustable round downlighter with 70mm reflector
- Fixture power 21W
- Efficacy up to 95lm/W
- Beam angle: narrow beam, medium beam and wide beam optics
- Available in 3,000K or 4,000K
- Control technology: non-dimmable (DALI, Trailing Edge and SylSmart on special request)
- CRI90 as standard
- White and black finish
- Lumen maintenance: 55,000 hours (L90 B10)

## Finishes

All versions with black and white finish



## Exospot 70 Fixed



Version	Wattage	Lumen
Base	21W	1988lm

## Exospot 70 Adjustable



Version	Wattage	Lumen
Base	21W	1964lm

## Exospot 90 Fix



Version	Wattage	Lumen
High Efficiency	28W	2855lm
High Output	35W	3479lm

## Exospot 90 Mono Square



Version	Wattage	Lumen
High Efficiency	28W	2855lm
High Output	35W	3458lm
V. High Output	56W	5647lm

## Exospot 90 Adjustable



Version	Wattage	Lumen
High Efficiency	28W	2855lm
High Output	35W	3458lm
V. High Output	56W	5647lm

## Exospot 90 Duo Square



Version	Wattage	Lumen
High Efficiency	50W	2 x 2855lm
High Output	73W	2 x 3458lm
V. High Output	114W	2 x 5647lm

## Exospot 90 Cardan



Version	Wattage	Lumen
High Efficiency	28W	2855lm
High Output	35W	3458lm
V. High Output	56W	5647lm

## Exospot 90 Trio Square



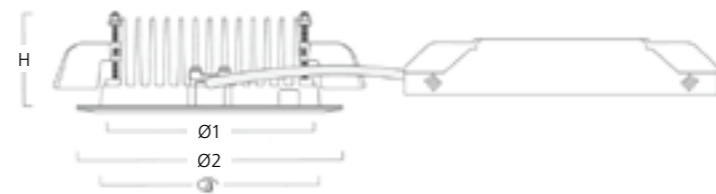
Version	Wattage	Lumen
High Efficiency	77W	3 x 2855lm
High Output	107W	3 x 3458lm
V. High Output	171W	3 x 5647lm

# Concord Ascent 50



## Features

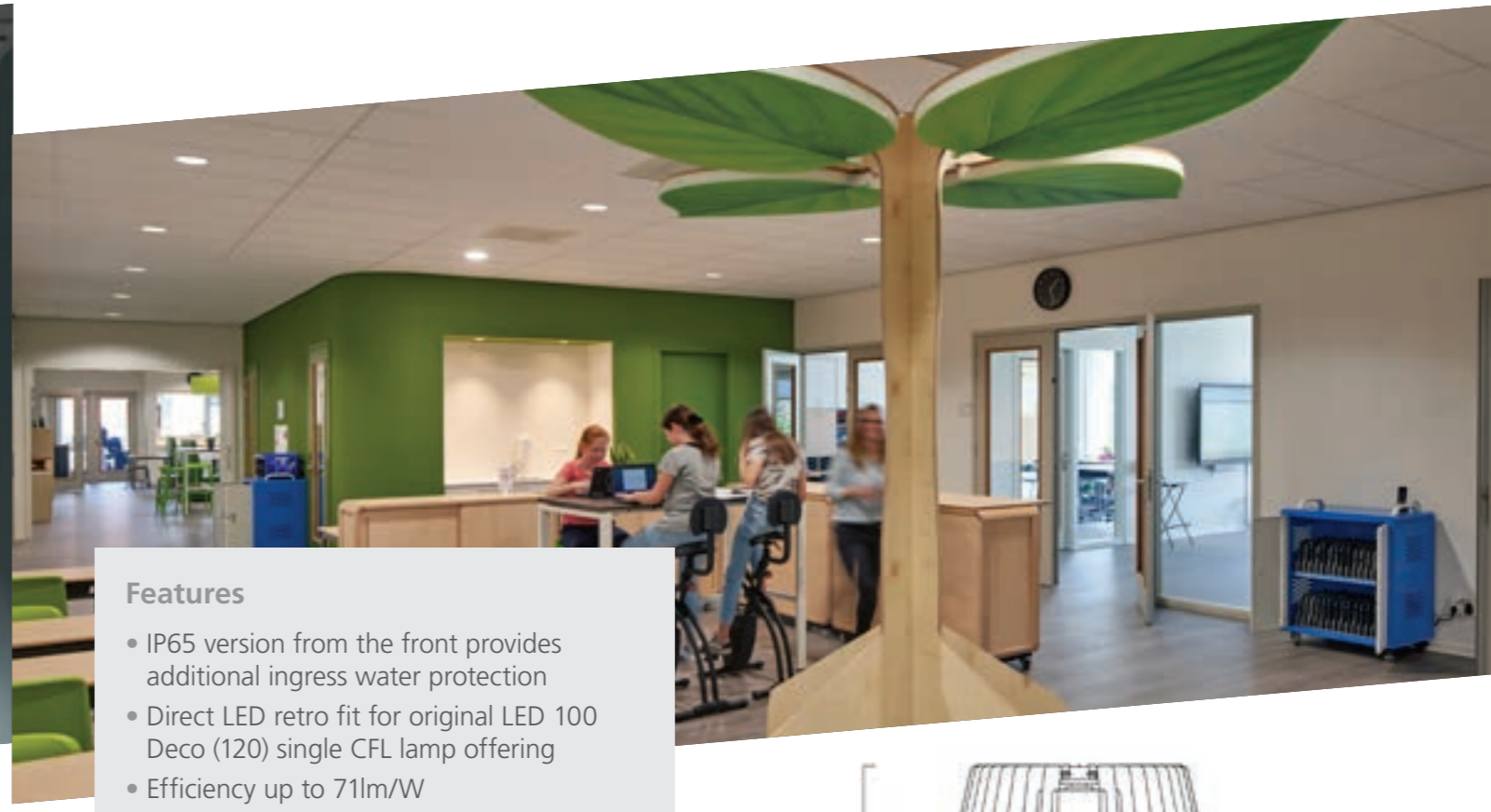
- Super slim highly efficient LED downlight with only 50mm recessing depth
- A true economic and efficient replacement for existing CF-L downlights
- Provides optimum efficiency with up to 90 lumens per circuit watt
- Housing colour: White- RAL9016
- Construction material: Aluminium
- Available in 3000K or 4000K
- Long lifespan: 50,000 hours (L70B50)



Size (Ø1 x Ø2 x H)	Cutout	Wattage	Lumen
Ø120mm x Ø150mm x 50mm	Ø130mm	14W	1,732lm

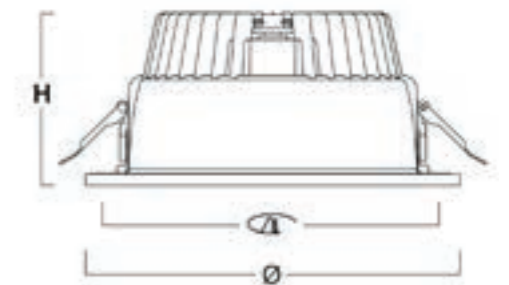


# Concord Ascent 100 II IP65



## Features

- IP65 version from the front provides additional ingress water protection
- Direct LED retro fit for original LED 100 Deco (120) single CFL lamp offering
- Efficiency up to 71lm/W
- Matching lumen levels and improved light distribution of original LED 100 CFL lamp equivalents
- Available in 3000K or 4000K
- Long lifespan: 100,000 hours (L70B50)

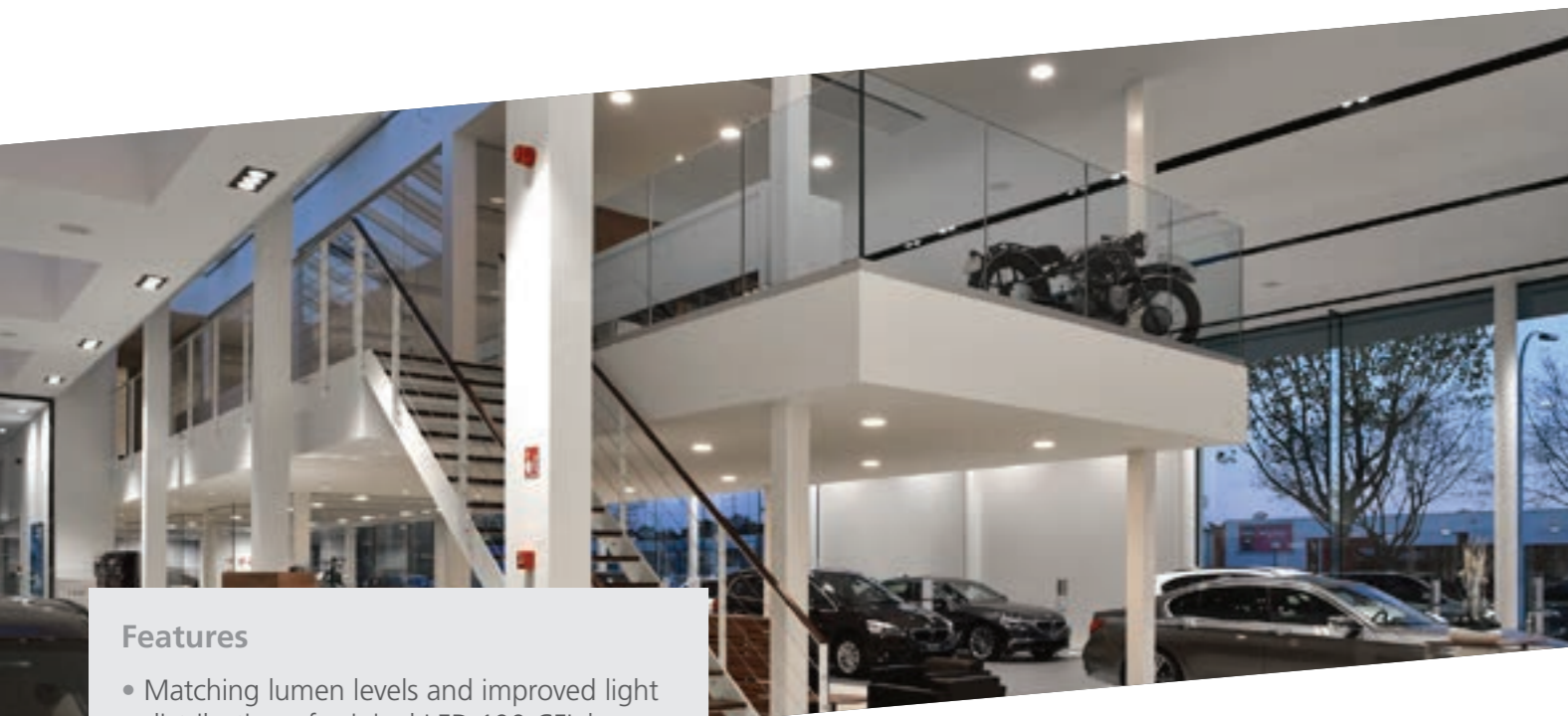


Size (Ø x H)	Cutout	Wattage	Lumen
Ø169mm x 96mm	Ø137mm	5W	630lm
Ø169mm x 96mm	Ø137mm	8W	900lm
Ø169mm x 96mm	Ø137mm	10W	1200lm
Ø169mm x 96mm	Ø137mm	17W	1850lm
Ø209mm x 96mm	Ø178mm	7W	980lm
Ø169mm x 96mm	Ø137mm	17W	1850lm
Ø169mm x 96mm	Ø137mm	21W	2675lm
Ø169mm x 96mm	Ø137mm	30W	3650lm



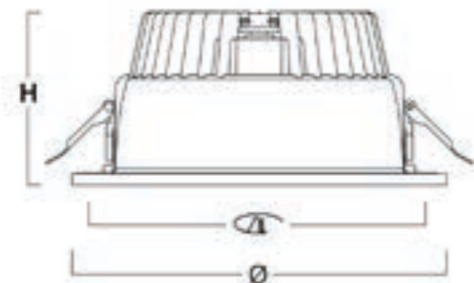


# Concord Ascent 100 II Architectural



## Features

- Matching lumen levels and improved light distribution of original LED 100 CFL lamp equivalents
- High efficiency up to 131lm/W
- Typically half the power consumption compared to CFL
- Human Centric Lighting HCL is available in 3000K or 4000K version (HCL) or Tunable White 2700-6500K with SylSmart driver (HCL TW)
- LumiNature version is available in 3000K or 4000K (Lumi) or LumiNature Human Centric Light Tunable White 2700-6500K with SylSmart driver (Lumi HCL TW)
- Housing Colour: White - RAL9016
- Long lifespan: 100,000 hours (L70B50)



Size (Ø x H)	Cutout	Wattage	Lumen
Ø150mm x 94mm	Ø137mm	5W	653lm
Ø150mm x 94mm	Ø137mm	8W	931lm
Ø150mm x 94mm	Ø137mm	10W	1228lm
Ø150mm x 94mm	Ø137mm	16W	2029lm
Ø189mm x 94mm	Ø178mm	7W	1009lm
Ø189mm x 94mm	Ø178mm	17W	1921lm
Ø189mm x 94mm	Ø178mm	19W	2767lm
Ø189mm x 94mm	Ø178mm	30W	3766lm



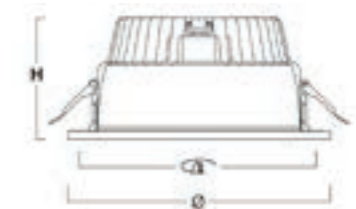
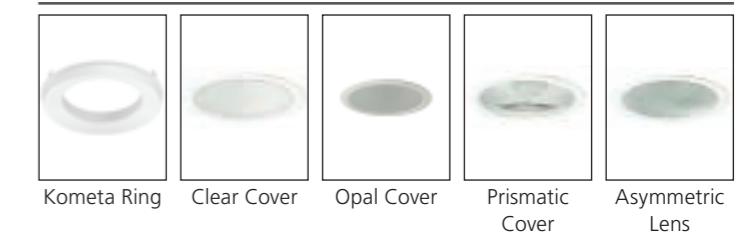
# Concord Ascent 100 II Deco



## Features

- Direct LED retro fit for original LED 100 Deco (120) single CFL lamp offering
- Offers a range of accessories for decorative lighting (Kometa ring illuminates beautifully the ceiling while the downlight still delivers direct light). Additionally PC covers with clear, opal, prismatic and asymmetrical lenses can be used
- High efficiency up to 128lm/W
- Housing Colour: White - RAL9016
- Long lifespan: 100,000 hours (L70B50)

## Accessories



Size (Ø x H)	Cutout	Wattage	Lumen
Ø150mm x 94mm	Ø137mm	5W	653lm
Ø150mm x 94mm	Ø137mm	8W	931lm
Ø150mm x 94mm	Ø137mm	10W	1228lm
Ø189mm x 94mm	Ø178mm	7W	1009lm
Ø189mm x 94mm	Ø178mm	17W	1921lm
Ø189mm x 94mm	Ø178mm	19W	2767lm
Ø189mm x 94mm	Ø178mm	30W	3766lm

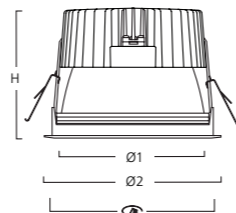


# Concord Ascent 150 II



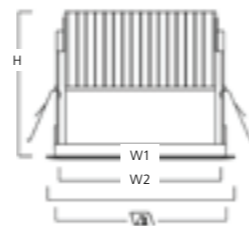
## Features

- A true economic and efficient replacement for existing CF-L downlights suitable for a wide range of applications
- High efficient round downlight up to 127lm/W
- Wide selection of decorative accessories
- Available in 3000K or 4000K
- Long lifespan: 100,000 hours (L70B50)



## Round

Size (Ø1 x Ø2 x H)	Cutout	Wattage	Lumen
Ø160mm x Ø180mm x 107mm	176mm	9W	1325lm
Ø160mm x Ø180mm x 107mm	176mm	13W	1900lm
Ø160mm x Ø180mm x 107mm	176mm	19W	2600lm
Ø160mm x Ø180mm x 107mm	176mm	28W	3900lm



## Square

Size (W1 x W2 x H)	Cutout	Wattage	Lumen
154mm x 188mm x 123mm	175mm x 175mm	9W	1400lm
154mm x 188mm x 123mm	175mm x 175mm	13W	2000lm
154mm x 188mm x 123mm	175mm x 175mm	19W	2800lm
154mm x 188mm x 123mm	175mm x 175mm	28W	4000lm

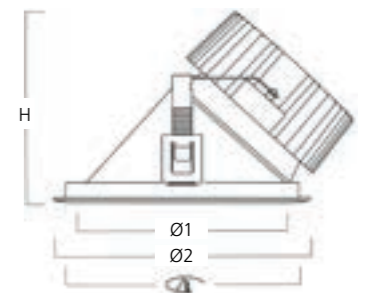


# Concord Ascent 150 II Wallwasher

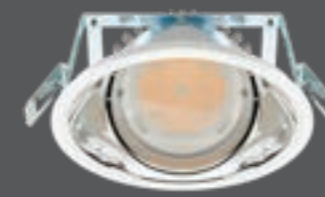


## Features

- A unique round wallwasher downlight
- Provides excellent vertical illuminance
- High efficient round downlight up to 127lm/W
- Wide selection of decorative accessories
- Available in 3000K or 4000K
- Long lifespan: 100,000 hours (L70B50)



Size (Ø1 x Ø2 x H)	Cutout	Wattage	Lumen
Ø215mm x Ø248mm x 156mm	235mm	13W	1900lm
Ø215mm x Ø248mm x 156mm	235mm	27W	3700lm

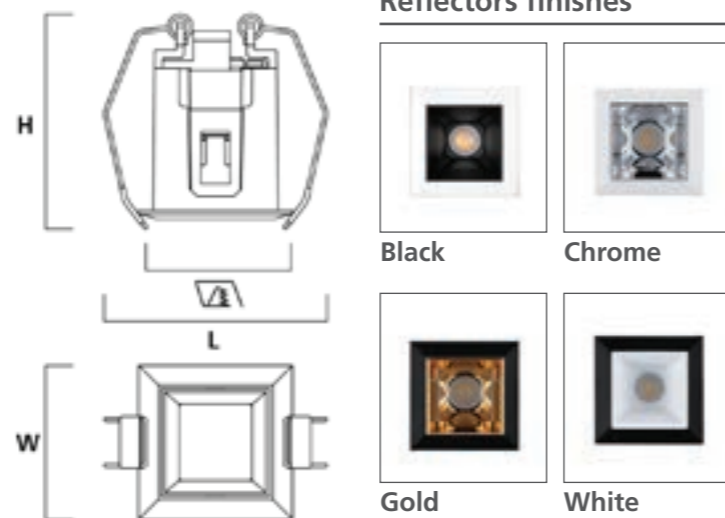


# Concord Domino



## Features

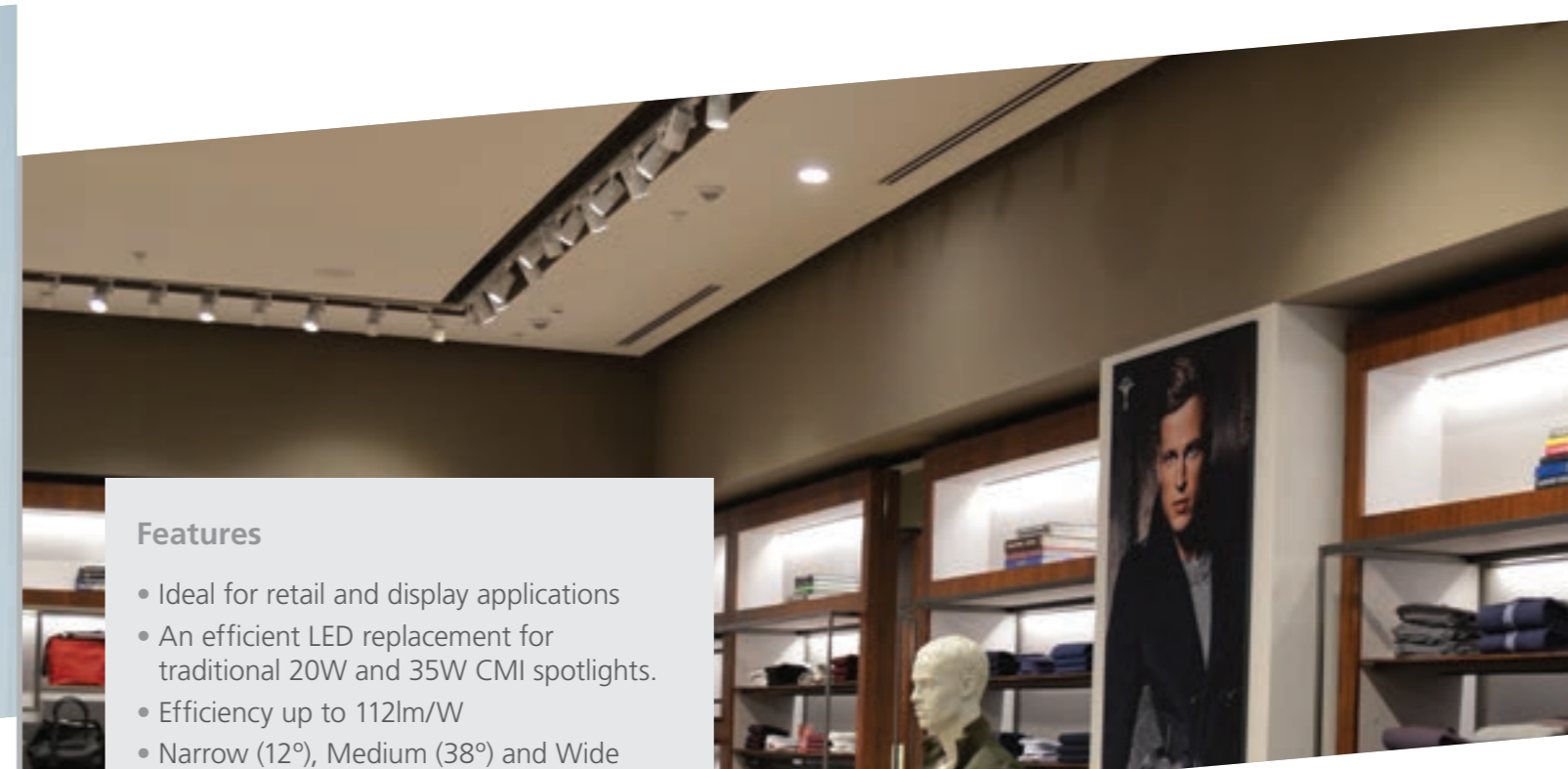
- Innovative compact modular system with recessed frame for maximum flexibility and high brilliance light
- Application areas: residential, hotels, restaurants, retail, corridors
- Rectangular shape in cast aluminium frames with tool free spring clip and bracket installation
- Chrome, Gold and Black reflectors are UGR16, White reflector is UGR19
- Available in 1, 2, 5 or 10 module units
- Choice of black, chrome, white or gold reflector finishes
- Trim or trimless recessed frame design
- Available in 3,000K or 4,000K
- Long lifespan: 130.000h L90B10



Size (W x L x H)	Cut Out	Wattage	Lumen
50mm x 72mm x 70mm	43 x 43mm	4W	200lm
50mm x 91mm x 70mm	63 x 43mm	6W	370lm
54mm x 172mm x 70mm	143 x 43mm	13W	940lm
52mm x 302mm x 70mm	276 x 43mm	23W	1760lm

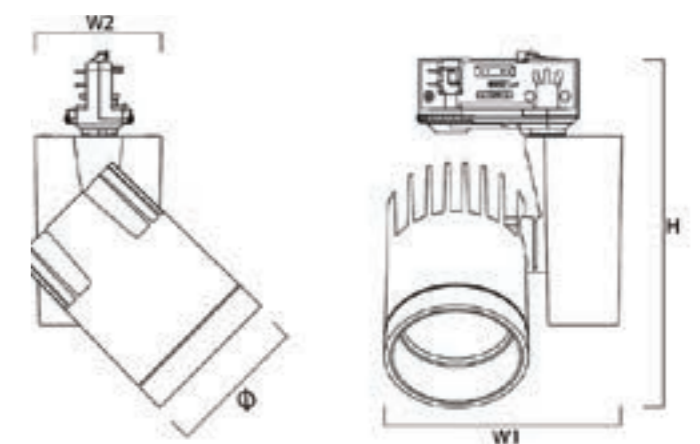


# Concord Beacon LED



## Features

- Ideal for retail and display applications
- An efficient LED replacement for traditional 20W and 35W CMI spotlights.
- Efficiency up to 112lm/W
- Narrow (12°), Medium (38°) and Wide (55°) beam options
- For mounting on 1 circuit (Lytespan 1) or 3 circuit track (Lytespan 3)
- Die-cast aluminium body, passive cooling
- heatsink
- IR/UV free light source without heat radiation
- Choice of black or white housing finish
- Available in 3,000K or 4,000K
- Long lifespan: 72,000 hours (L70B50)

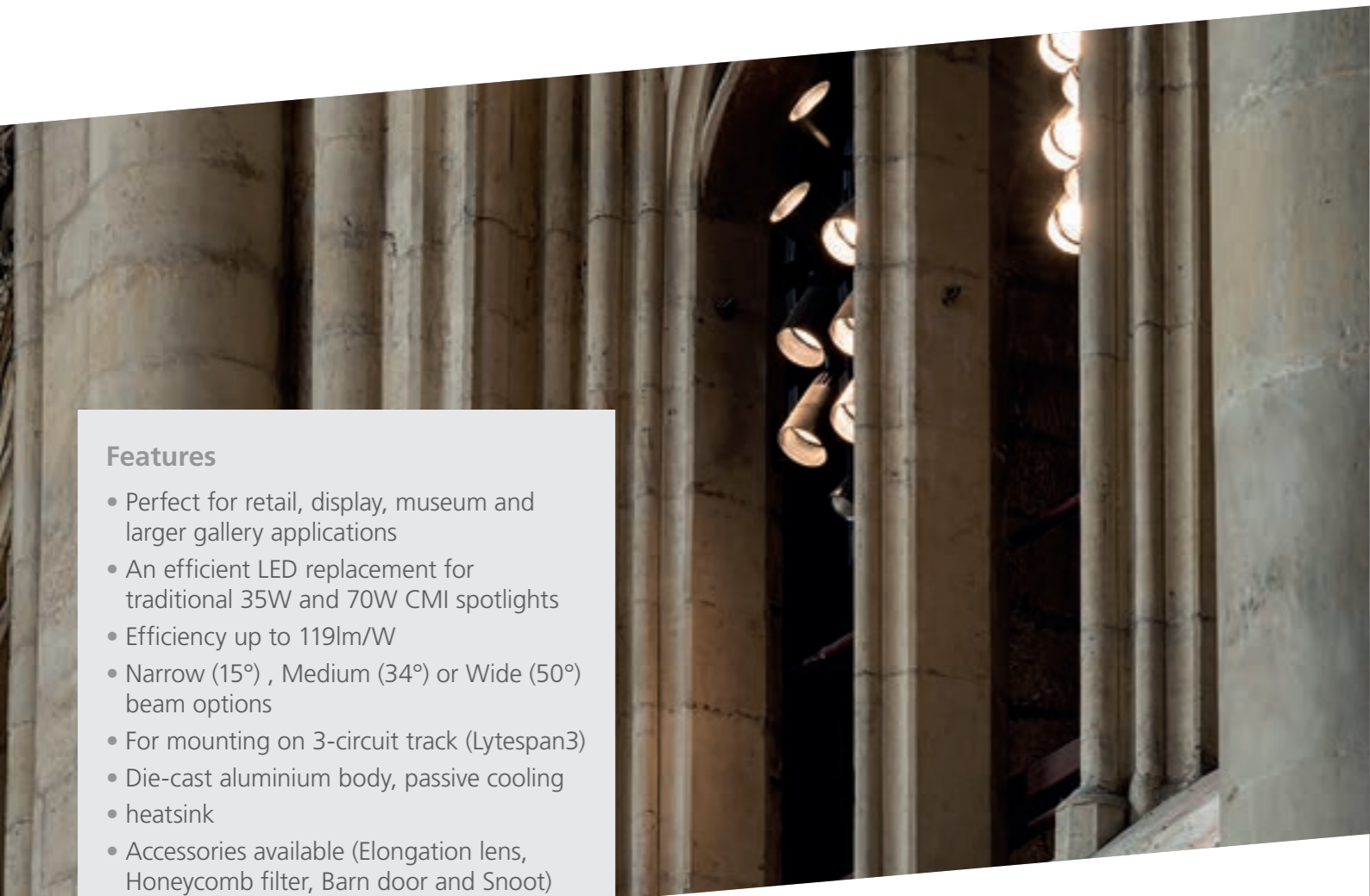


Size (ø x W x W2x H)	Wattage	Lumen	CRI
ø80mm x 130mm x 70mm x 190mm	21W	1,669-1,885lm	93
ø80mm x 130mm x 70mm x 190mm	21W	2,136-2,348lm	85



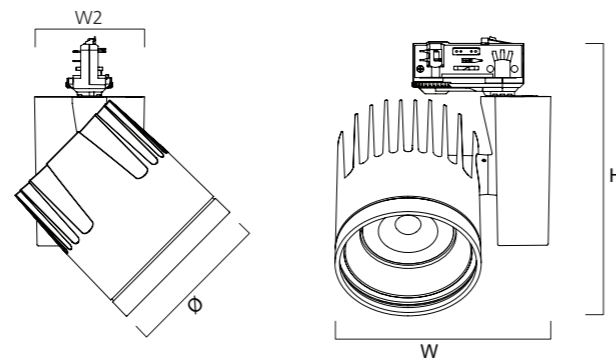
For ordering guide please visit page 98.

# Concord Beacon LED XL



## Features

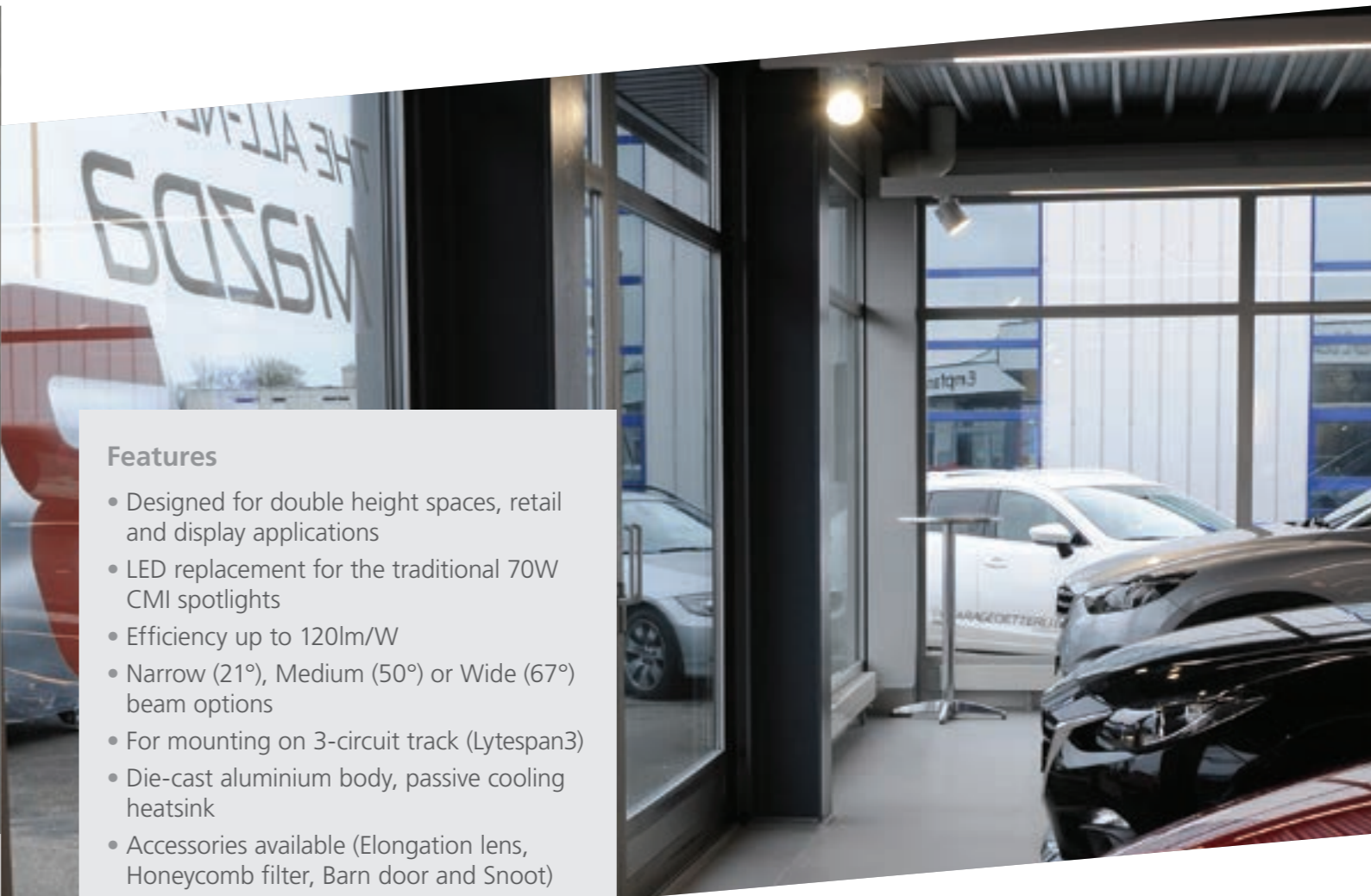
- Perfect for retail, display, museum and larger gallery applications
- An efficient LED replacement for traditional 35W and 70W CMI spotlights
- Efficiency up to 119lm/W
- Narrow (15°), Medium (34°) or Wide (50°) beam options
- For mounting on 3-circuit track (Lytespan3)
- Die-cast aluminium body, passive cooling heatsink
- Accessories available (Elongation lens, Honeycomb filter, Barn door and Snoot)
- IR/UV free light source without heat radiation
- Choice of black or white housing finish
- Available in 3,000K or 4,000K
- Long lifespan: 72,000 hours (L70B50)



Size (ø x W x W2 x H)	Wattage	Lumen	CRI
ø113mm x 165mm x 85mm x 205mm	33W	3,033-3,314lm	93
ø113mm x 165mm x 85mm x 205mm	33W	3,682-3,912lm	85

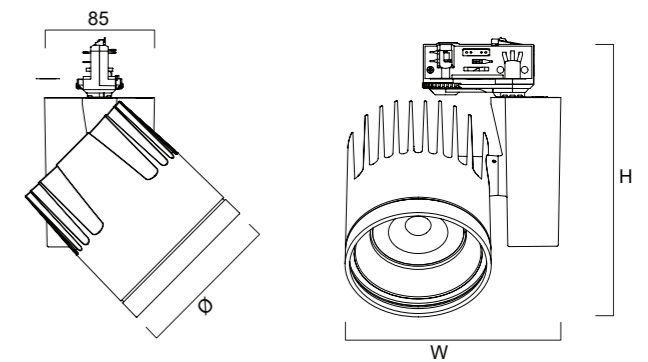


# Concord Beacon LED XXL



## Features

- Designed for double height spaces, retail and display applications
- LED replacement for the traditional 70W CMI spotlights
- Efficiency up to 120lm/W
- Narrow (21°), Medium (50°) or Wide (67°) beam options
- For mounting on 3-circuit track (Lytespan3)
- Die-cast aluminium body, passive cooling heatsink
- Accessories available (Elongation lens, Honeycomb filter, Barn door and Snoot)
- IR/UV free light source without heat radiation
- Choice of black or white housing finish
- Available in 3,000K and 4,000K
- Long lifespan: 100,000 hours (L70B50)



Size (ø x L x H)	Wattage	Lumen	CRI
ø 113mm x 168mm x 205mm	48W	4,179-4,884lm	93
ø 113mm x 168mm x 205mm	48W	4,884-5,762lm	85

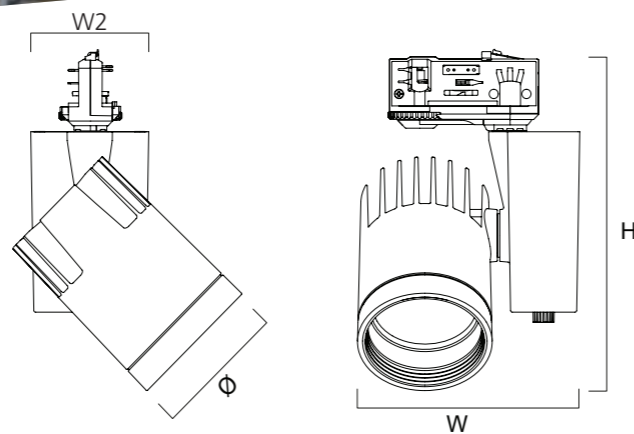


# Concord Beacon LED Accent



## Features

- Ideal for museum and gallery applications requiring high colour rendering properties
- Narrow (10°), Medium (37°) and Wide (52°) beam options
- For mounting on 1-circuit track (Lytespan1) or 3-circuit track (Lytespan3)
- Dark-light detail for increased accentuation and visual comfort
- Accessories available (Elongation lens, Softner lens, Honeycomb filter, Barn door and Snoot)
- IR/UV free light source without heat radiation
- Choice of black or white housing finish
- Available in 3,000K or 4,000K
- Long lifespan: 72,000 hours (L70B50)



Size (Ø x W x W2 x H)	Wattage	Lumen	CRI
Ø80mm x 130mm x 70mm x 190mm	21W	576-1,578lm	97

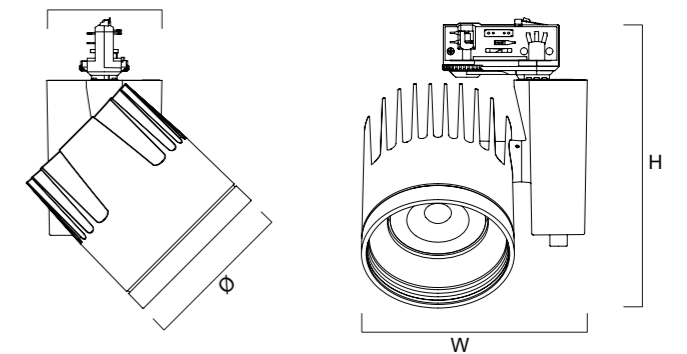


# Concord Beacon LED Accent XL



## Features

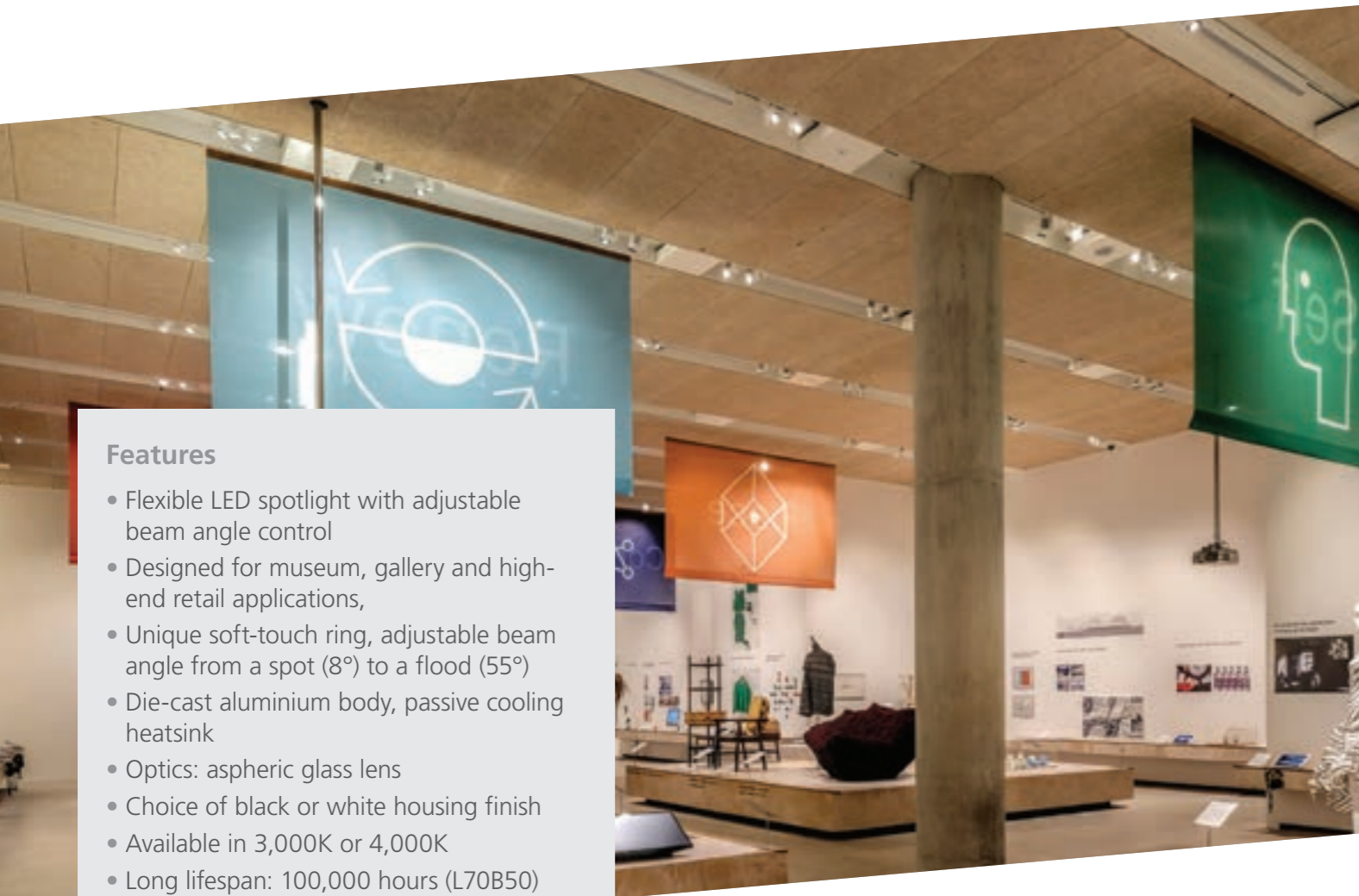
- Ideal for larger museum and gallery applications requiring high colour rendering properties
- Intense Narrow (14°), Medium (33°) and Wide (44°) beam options
- For mounting on 3-circuit track (Lytespan3)
- Dark-light detail for increased accentuation and visual comfort
- Choice of black or white housing finish
- Available in 3,000K or 4,000K
- Long lifespan: 72,000 hours (L70B50)



Size (W x L x H)	Wattage	Lumen	CRI
Ø113mm x 165mm x 205mm	33W	1,827-2,668lm	97

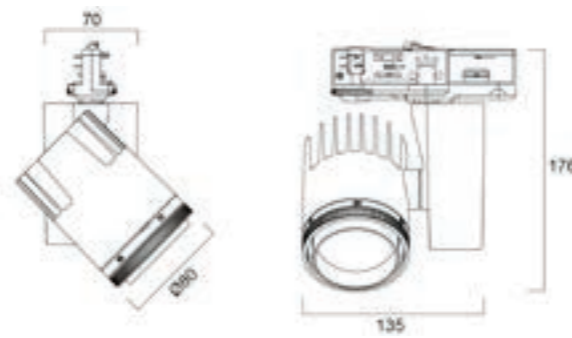


# Concord Beacon Muse II



## Features

- Flexible LED spotlight with adjustable beam angle control
- Designed for museum, gallery and high-end retail applications,
- Unique soft-touch ring, adjustable beam angle from a spot (8°) to a flood (55°)
- Die-cast aluminium body, passive cooling heatsink
- Optics: aspheric glass lens
- Choice of black or white housing finish
- Available in 3,000K or 4,000K
- Long lifespan: 100,000 hours (L70B50)



Size (ø x W1 x W2 x H)	Wattage	Lumen	CRI
ø80mm x 135mm x 70mm x 176mm	21W	623-1,150lm	97

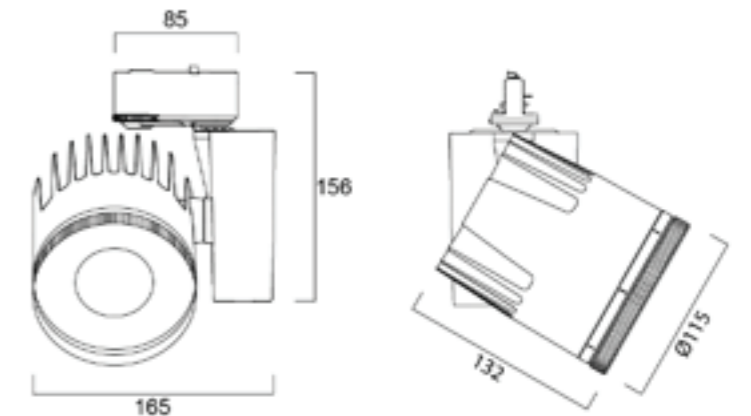


# Concord Beacon Muse XL



## Features

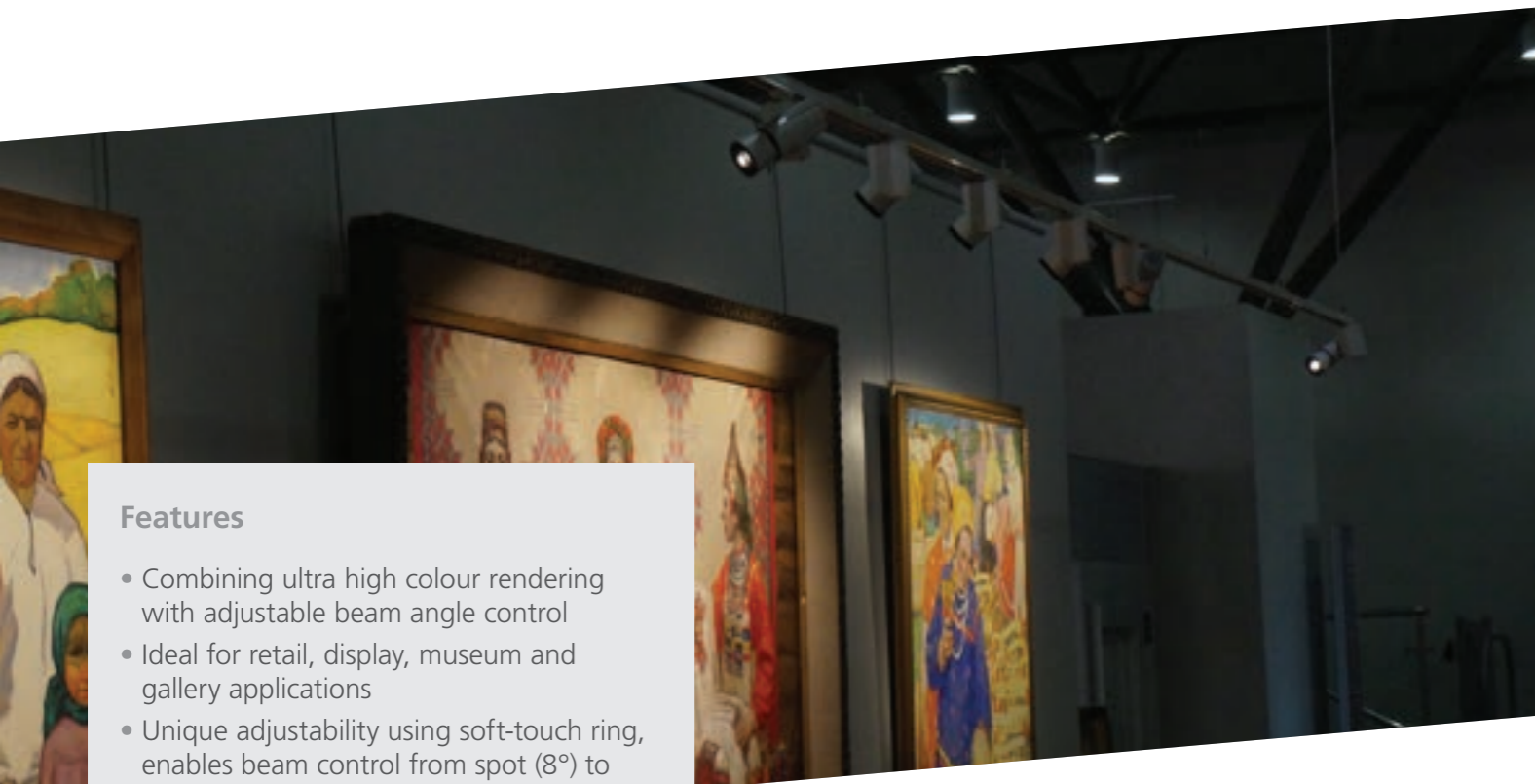
- High output, flexible LED spotlight with adjustable beam angle control
- Designed for larger museum, gallery and high-end retail applications,
- Unique soft-touch ring, adjustable beam angle from spot (10°) to flood (70°)
- Die-cast aluminium body, passive cooling heatsink
- Optics: aspheric glass lens
- Choice of black or white housing finish
- Available in 3,000K or 4,000K
- Long lifespan: 100,000 hours (L70B50)



Size (ø x W1 x W2 x L x H)	Wattage	Lumen	CRI
115mm x 165mm x 85mm x 132mm x 200mm	41W	2,884lm	97

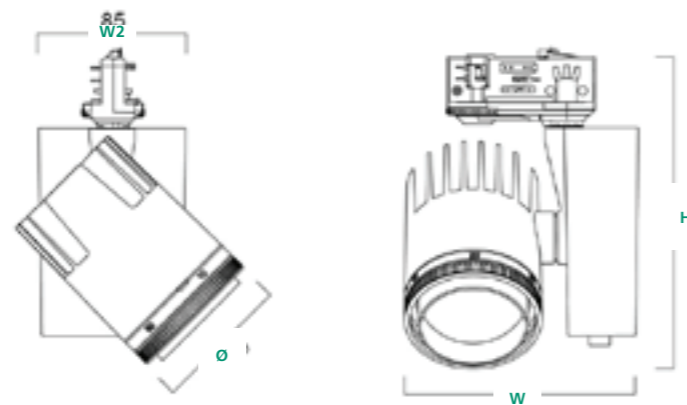


# Concord Beacon Muse Xicato



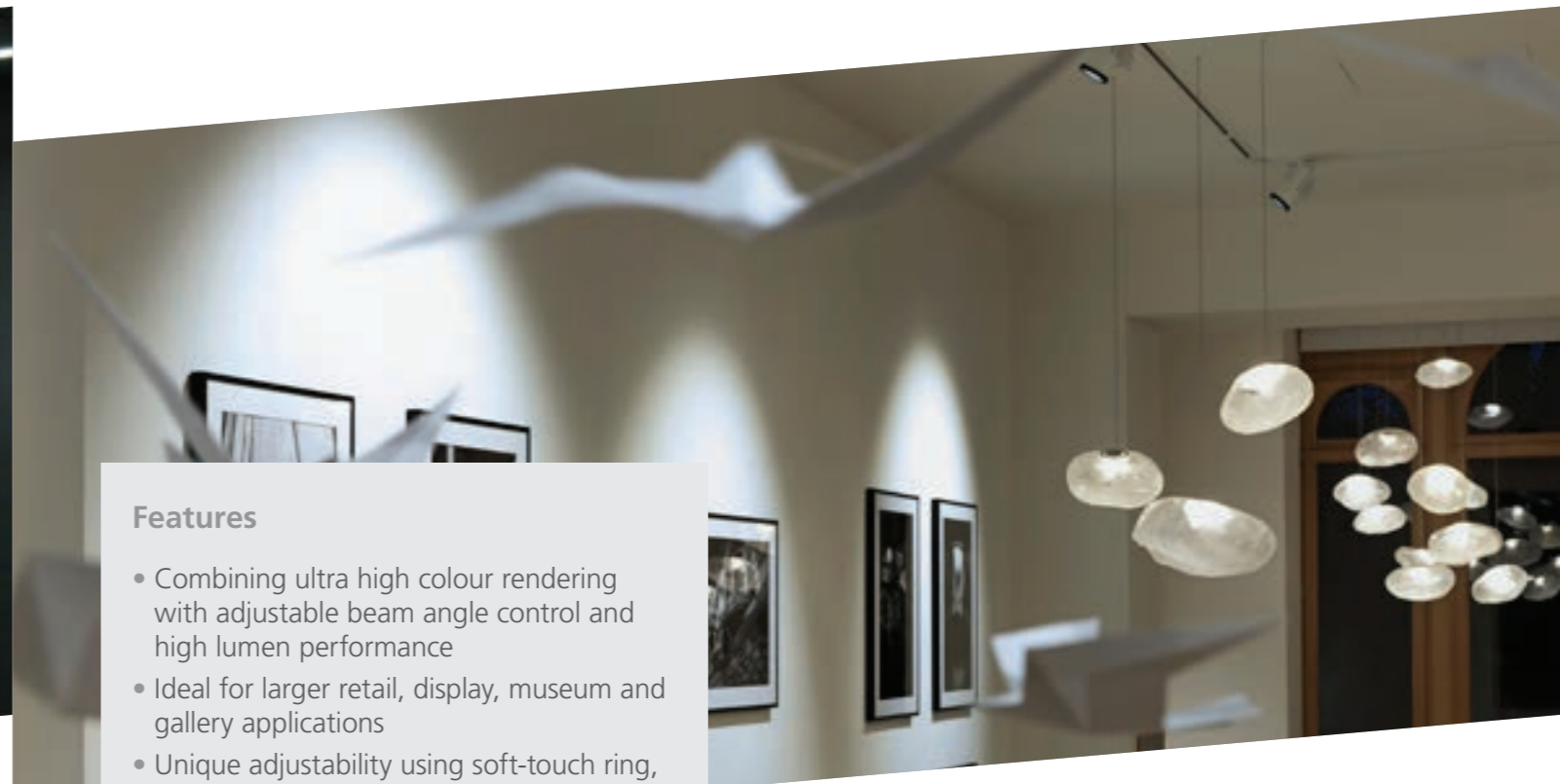
## Features

- Combining ultra high colour rendering with adjustable beam angle control
- Ideal for retail, display, museum and gallery applications
- Unique adjustability using soft-touch ring, enables beam control from spot (8°) to flood (52°)
- Die-cast aluminium body with passive cooling heatsink
- For mounting 3-circuit track (Lytespan3)
- Accessories available: Elongation lens, Honeycomb filter and Snoot
- Monopoint accessory available for surface mounting
- IR/UV free light source without heat radiation
- Choice of black or white housing finish
- Available in 3000K, 3500K and 4000K
- Long lifespan: 90,000 hours (L70B50)



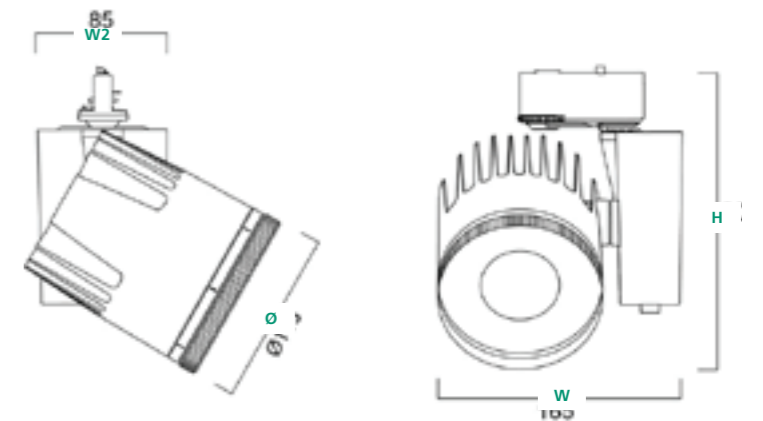
Size (ø x W x W2x H)	Wattage	Lumen	CRI
ø80mm x 135mm x 85mm x 178mm	20W	395 - 698lm	98

# Concord Beacon Muse Xicato XL



## Features

- Combining ultra high colour rendering with adjustable beam angle control and high lumen performance
- Ideal for larger retail, display, museum and gallery applications
- Unique adjustability using soft-touch ring, enables beam control from spot (10°) to flood (72°)
- Die-cast aluminium body with passive cooling heatsink
- For mounting 3-circuit track (Lytespan3)
- Accessories available: Elongation lens, Honeycomb filter and Snoot
- Monopoint accessory available for surface mounting
- IR/UV free light source without heat radiation
- Choice of black or white housing finish
- Available in 3000K, 3500K and 4000K
- Long lifespan: 90,000 hours (L70B50)



Size (ø x W x W2x H)	Wattage	Lumen	CRI
ø115mm x 165mm x 85mm x 200mm	35W	681 - 1,697lm	98



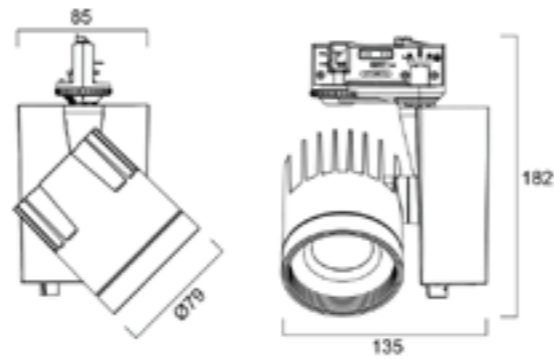
For ordering guide please visit page 104.

# Concord Beacon Tune II



## Features

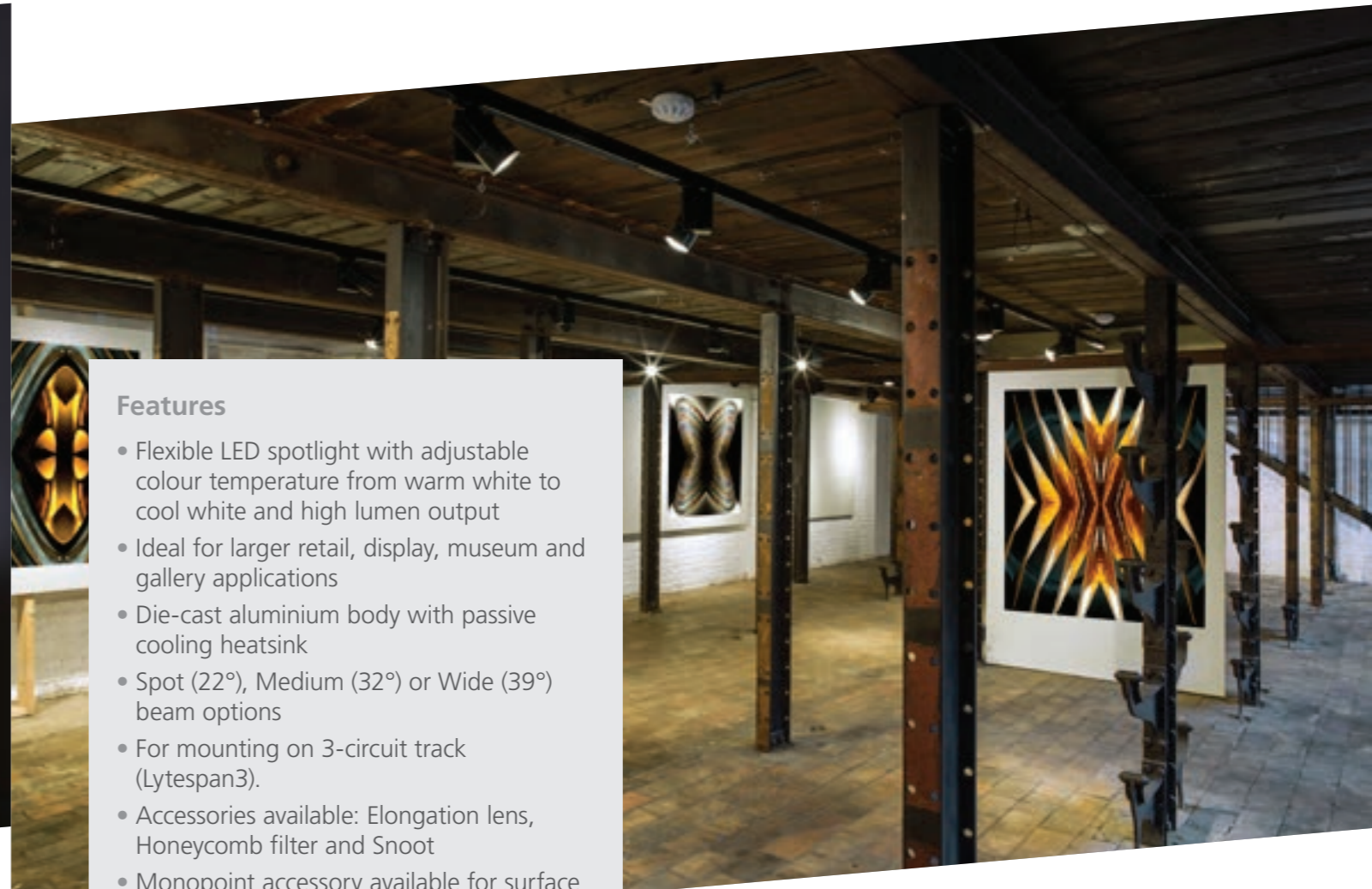
- Flexible LED spotlight with adjustable colour temperature from warm white to cool white
- Ideal for retail, display, museum and gallery applications
- Spot (27°) or flood (45°) beam options
- Die-cast aluminium body with passive cooling heatsink
- Optics: Fresnel lens for controlled beam
- For mounting on 1-circuit track (Lytespan1) or 3-circuit track (Lytespan3). DALI L3 only
- Accessories available: Elongation lens, Honeycomb filter and Snoot
- Monopoint accessory available for surface mounting
- IR/UV free light source without heat radiation
- Choice of black or white housing finish
- Adjustable from 1,800K to 6,500K tunable white
- Lifespan: 35,000 hours (L70B50)



Size (Ø x W1 x W2 x H)	Wattage	Lumen	CRI
Ø79mm x 135mm x 85mm x 182mm	19W	840-1,008lm	90

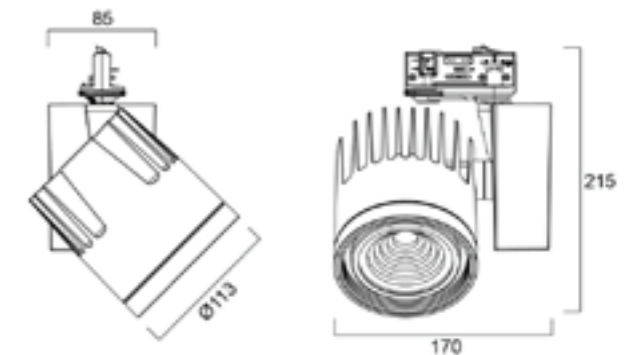


# Concord Beacon Tune XL II



## Features

- Flexible LED spotlight with adjustable colour temperature from warm white to cool white and high lumen output
- Ideal for larger retail, display, museum and gallery applications
- Die-cast aluminium body with passive cooling heatsink
- Spot (22°), Medium (32°) or Wide (39°) beam options
- For mounting on 3-circuit track (Lytespan3).
- Accessories available: Elongation lens, Honeycomb filter and Snoot
- Monopoint accessory available for surface mounting
- IR/UV free light source without heat radiation
- Choice of black or white housing finish
- Adjustable from 1,800K to 6,500K tunable white
- Lifespan: 35,000 hours (L70B50)

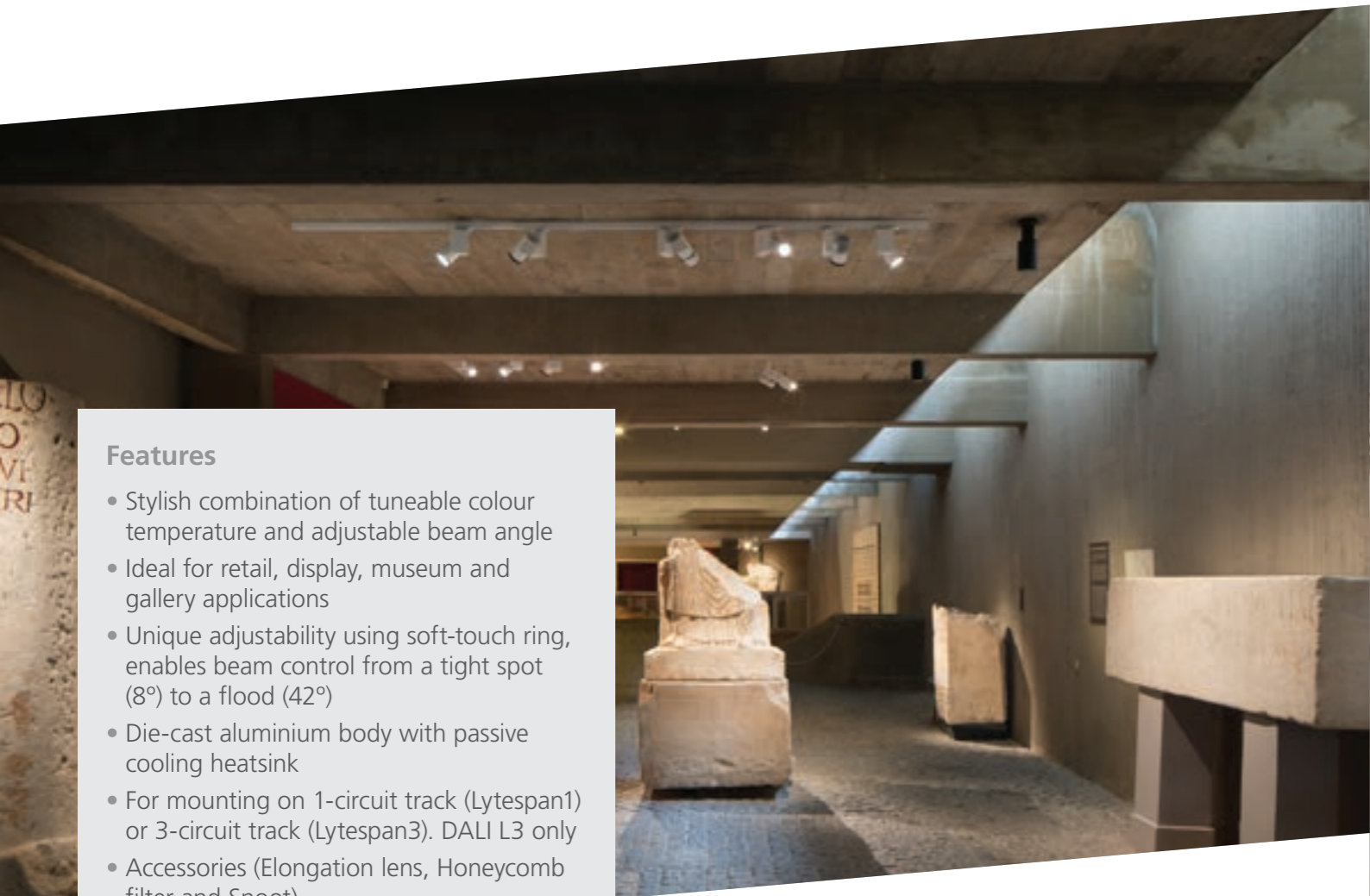


Size (Ø X W1 x W2 x H)	Wattage	Lumen	CRI
Ø113mm x 170mm x 85mm x 215mm	33W	1,770-2,207lm	90



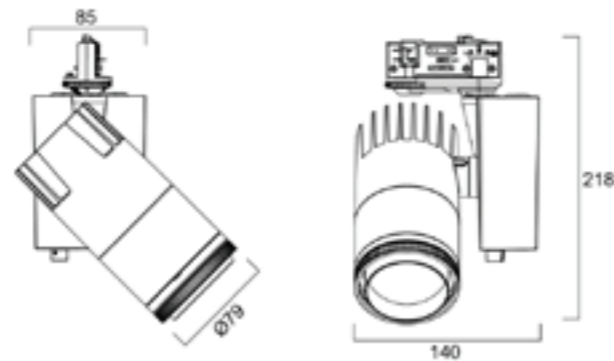


# Concord Beacon Muse Tune II



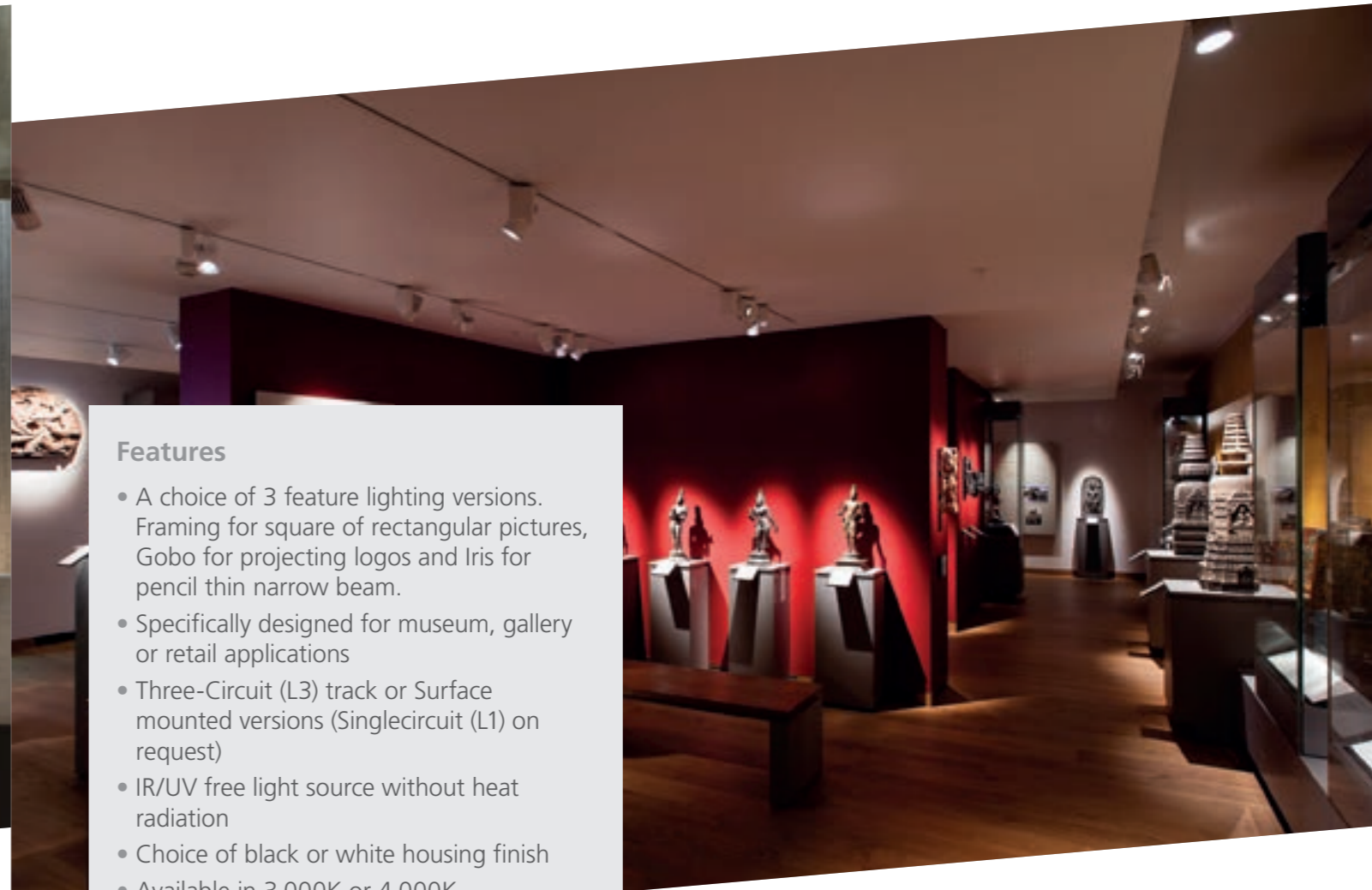
## Features

- Stylish combination of tuneable colour temperature and adjustable beam angle
- Ideal for retail, display, museum and gallery applications
- Unique adjustability using soft-touch ring, enables beam control from a tight spot (8°) to a flood (42°)
- Die-cast aluminium body with passive cooling heatsink
- For mounting on 1-circuit track (Lytespan1) or 3-circuit track (Lytespan3). DALI L3 only
- Accessories (Elongation lens, Honeycomb filter and Snoot)
- Monopoint accessory available for surface mounting
- IR/UV free light source without heat radiation
- Choice of black or white housing finish
- Adjustable from 1,800K to 6,500K tunable white
- Lifespan: 100,000 hours (L70B50)



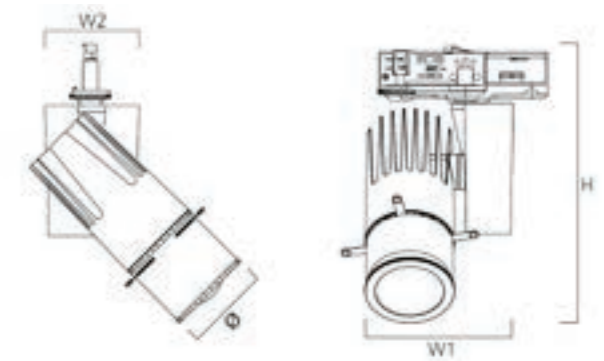
Size (Ø x W1 x W2 x H)	Wattage	Lumen	CRI
Ø79mm x 140mm x 85mm x 218mm	18W	100-165lm	90

# Concord Beacon Projector



## Features

- A choice of 3 feature lighting versions. Framing for square or rectangular pictures, Gobo for projecting logos and Iris for pencil thin narrow beam.
- Specifically designed for museum, gallery or retail applications
- Three-Circuit (L3) track or Surface mounted versions (Singlecircuit (L1) on request)
- IR/UV free light source without heat radiation
- Choice of black or white housing finish
- Available in 3,000K or 4,000K
- Long lifespan: 100,000 hours (L70B50)



Size (Ø x W1 x W2 x H)	Wattage	Lumen	CRI
Ø 79mm x 128mm x 245mm	35W	474lm	97



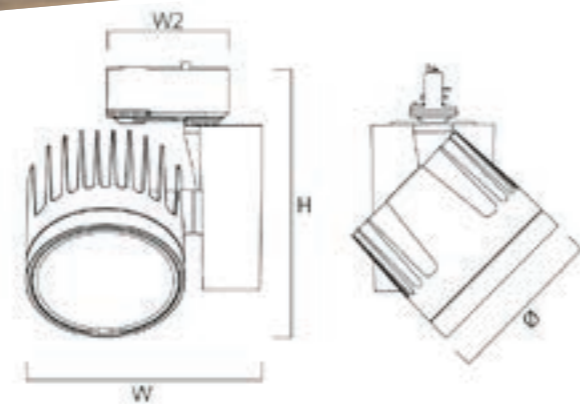
For ordering guide please visit page 106.

# Concord Beacon Wallwash

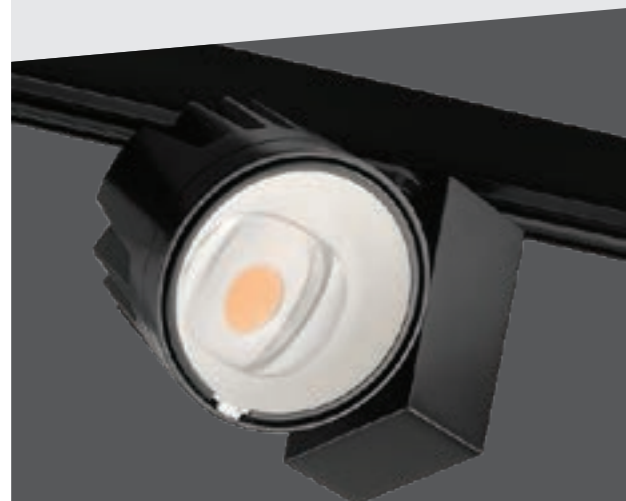


## Features

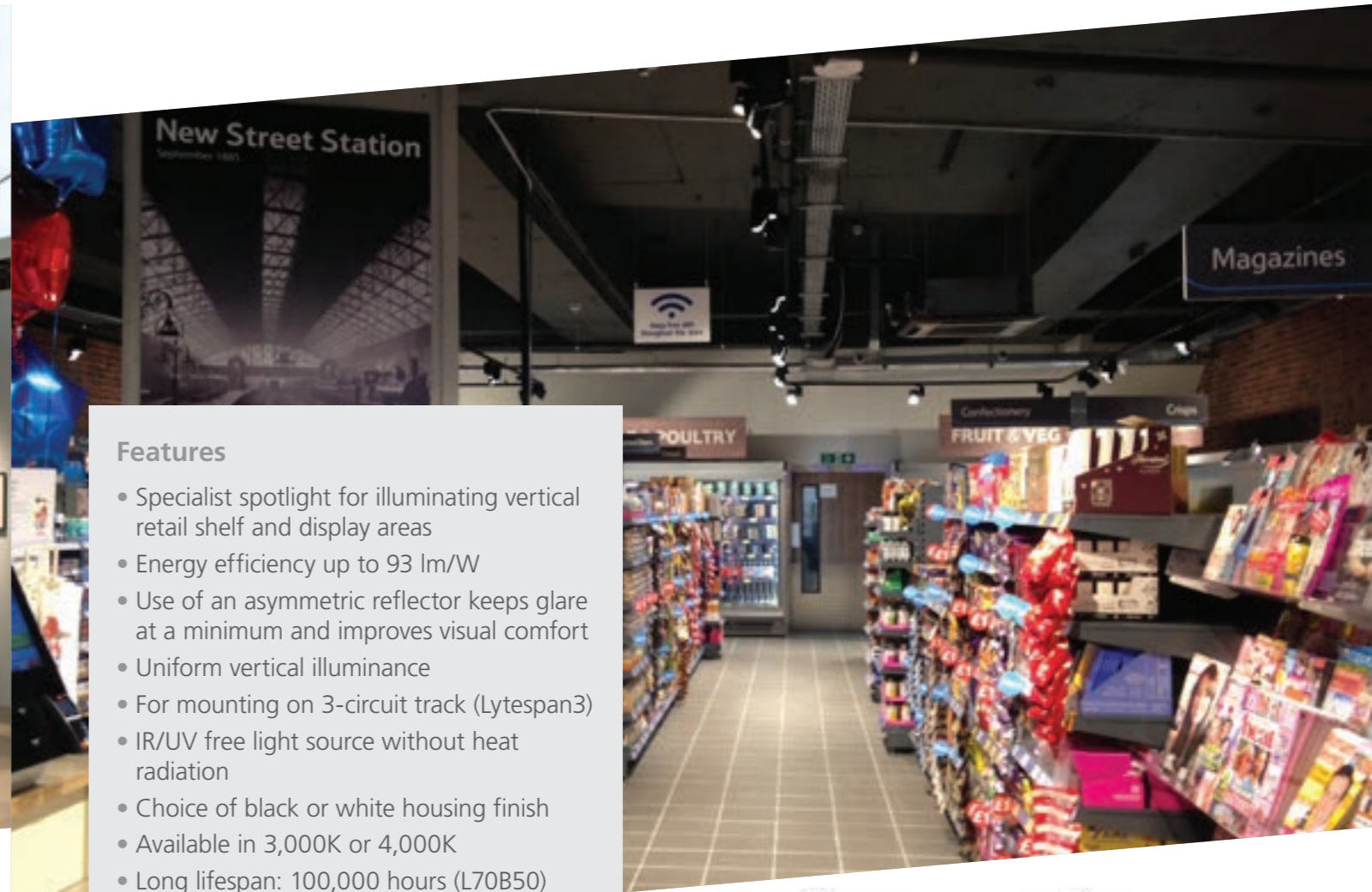
- Designed for vertical wall illumination in museums, galleries and retail
- Energy efficiency up to 102 lm/W
- Specially adapted asymmetric lens to provide a powerful LED wallwash solution
- Uniform ceiling to floor vertical illuminance up to 4m height and 4.5m horizontal spread
- For mounting on 3-circuit track (Lytespan3)
- IR/UV free light source without heat radiation
- Choice of black or white housing finish
- Available in 3,000K or 4,000K
- Long lifespan: 100,000 hours (L70B50)



Size (ø x W1 x W2 x H)	Wattage	Lumen	CRI
ø110mm x 170mm x 85mm x 175mm	48W	4,089lm	93
ø110mm x 170mm x 175mm	48W	4,916lm	85

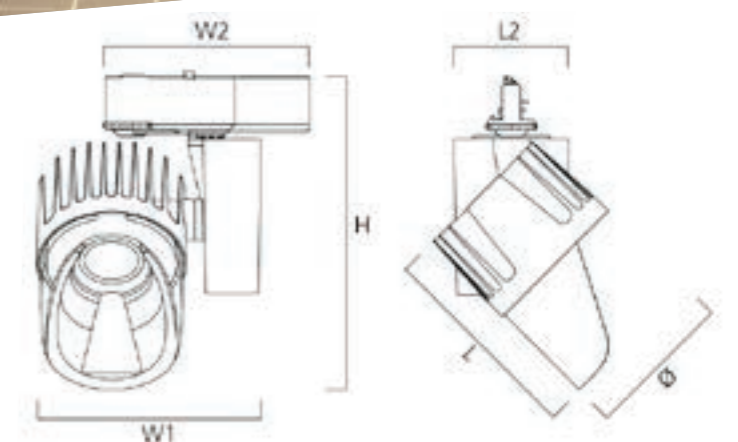


# Concord Beacon Shelf



## Features

- Specialist spotlight for illuminating vertical retail shelf and display areas
- Energy efficiency up to 93 lm/W
- Use of an asymmetric reflector keeps glare at a minimum and improves visual comfort
- Uniform vertical illuminance
- For mounting on 3-circuit track (Lytespan3)
- IR/UV free light source without heat radiation
- Choice of black or white housing finish
- Available in 3,000K or 4,000K
- Long lifespan: 100,000 hours (L70B50)



Size (ø x W1 x W2 x H x L)	Wattage	Lumen	CRI
ø110mm x 170mm x 135mm x 227mm x 155mm	48W	4,485lm	93



# Concord Lytespan I



## Features

- Polarised 16 amp single circuit track system with two conductors
- Suitable for use with Concord single circuit track adaptor types
- Choice of formats including low profile
- Universal feeds and couplers with polarisation determined during installation with polarisation tab
- Unique push-up feed allows power to be fed on or off anywhere along the length of the track
- Can be cut on site
- Broad range of universal suspensions
- Polarised and fully earthed to latest international standards

## Starter Track Kit



- Single length or to start a run
- Ideal for surface mounted runs
- Single length or to start a run
- Supplied with Track Unit, Plug-in Live End, End Caps and Surface Mount Clips
- Construction material: Aluminium

## Joiner Track Kit

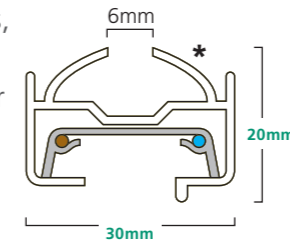


- Extends Starter Track to create straight runs

\*1000mm, 2000mm, 3000mm length \*\*2000mm, 3000mm length

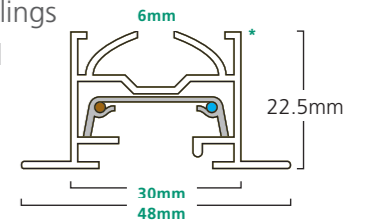
## Standard Track Unit

- For single or continuous runs, bends and grids
- Ideal for surface mounting or suspension
- Order components and accessories separately

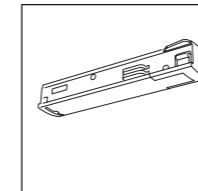


## Recessed Track Unit

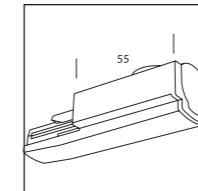
- Ideal for suspended ceilings
- Order components and accessories separately



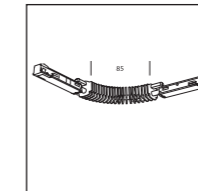
## Components



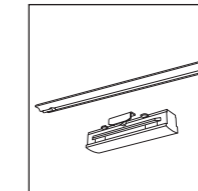
Push-up Live Feed



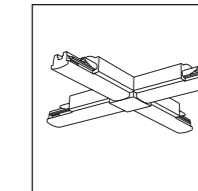
Straight Plug-in Coupler



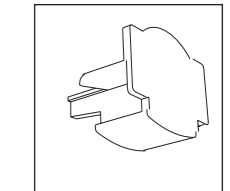
Flexible Coupler



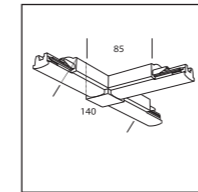
Straight Plug-in Coupler



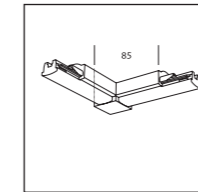
X Coupler



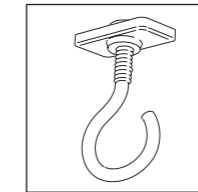
End Cap



T Coupler



L Coupler



Display Hook

## Low Profile

### Starter Track Kit

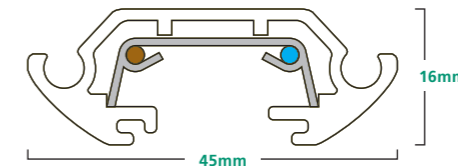


- Single length or to start a run
- White, Silver, and Black housing colours

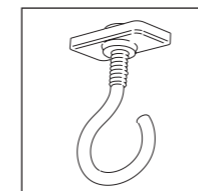
### Joiner Track Kit



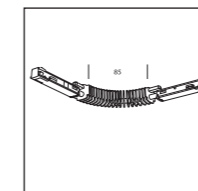
- Extends Starter Track to create straight runs.



## Components

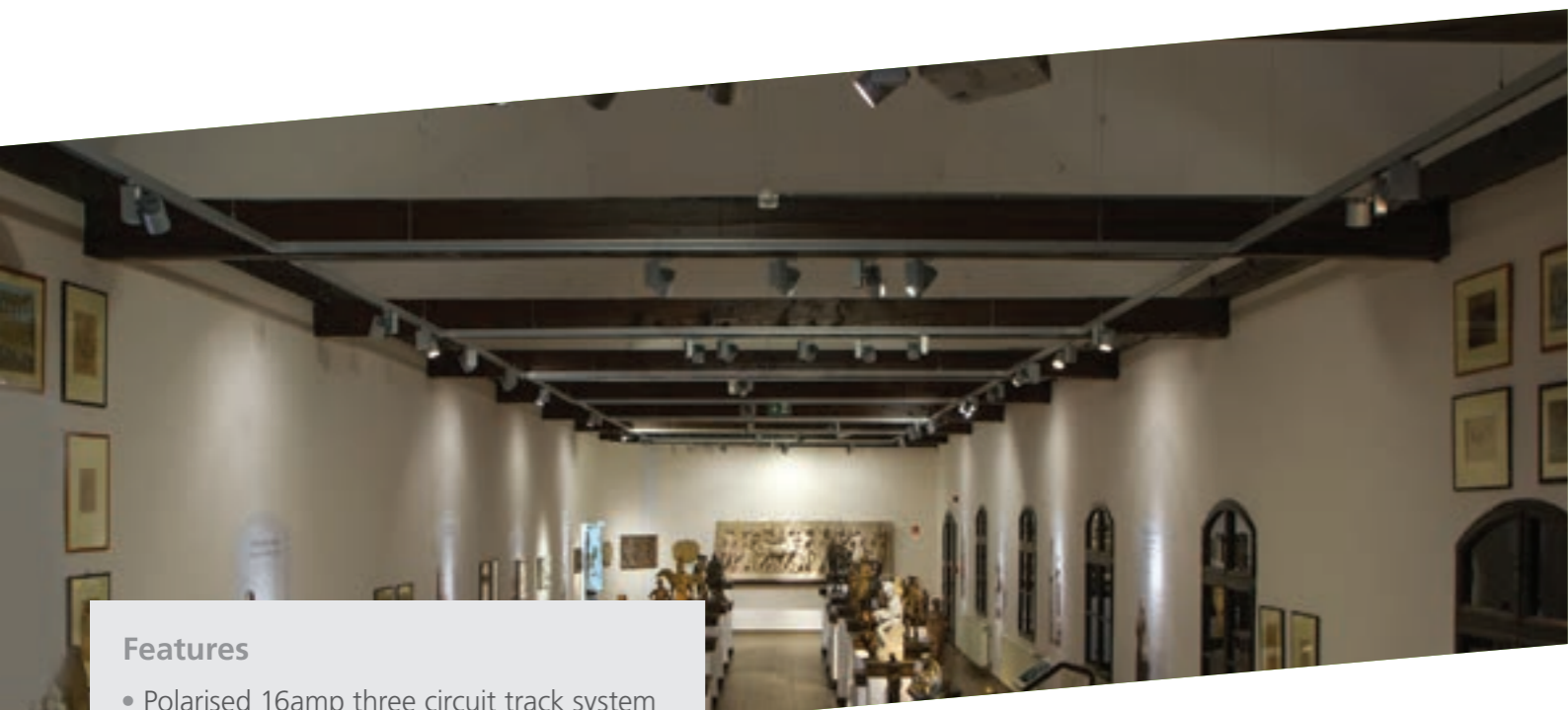


Display Hook



Flexible Coupler

# Concord Lytespan III



## Features

- Polarised 16amp three circuit track system with a common neutral
- Suitable for use with Concord, three circuit adaptors
- Each of the three circuits can be independently dimmed
- Unique Lytespan3 'venturi' trunk profile in standard or recessed form
- Lytebeam deep trunk profile with empty back channel for cable way, T5 or Lytespan3 module
- Couplers and feeds are pre-wired and polarised for ease of installation.
- Broad range of universal suspensions
- Polarised and fully earthed to latest international standards

## Standard Track Unit



- For single or continuous runs and grids
- Ideal for surface mounting or suspension
- Order components and accessories separately

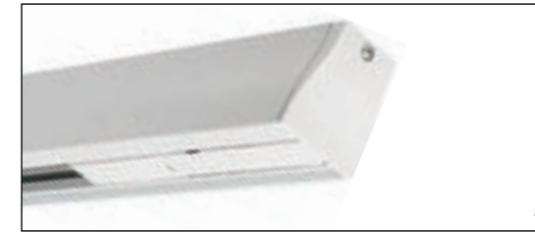
## Recessed Track Unit



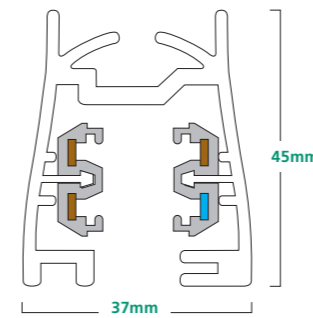
- For single or continuous runs
- Ideal for suspended ceilings
- Order components and accessories separately
- Construction material: Aluminium

\*1000mm, 2000mm, 3000mm, 4000mm length

## Starter Track Kit

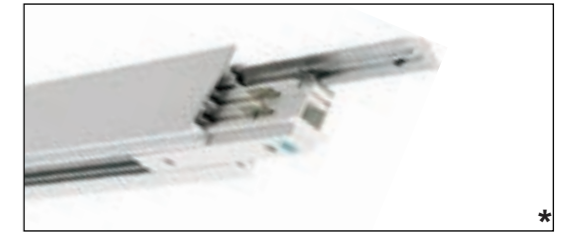


- Ideal for surface mounted runs
- Single length or to start a run
- Supplied with Track Unit, Push-up Live feed, end caps and Surface Mount Clips

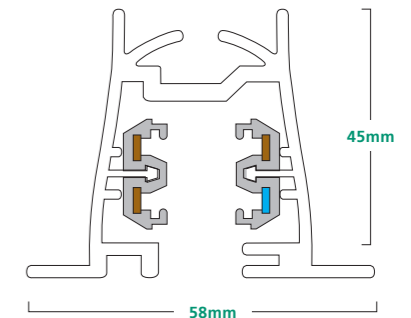


Standard Track Unit

## Joiner Track Kit

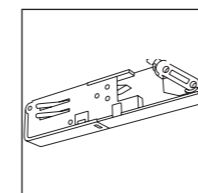


- Ideal for surface mounted runs
- Extends Starter Track to create straight runs
- Supplied with Track Unit, Straight Coupler and Surface Mount Clips
- Construction material: Aluminium

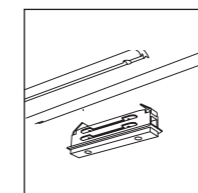


Recessed Track Unit

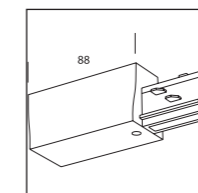
## Components



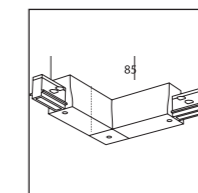
Push-up Live Feed



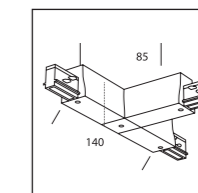
Straight Plug-in Coupler



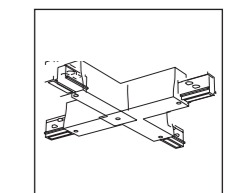
Plug-in Live Feed



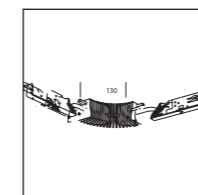
L Coupler



T Coupler



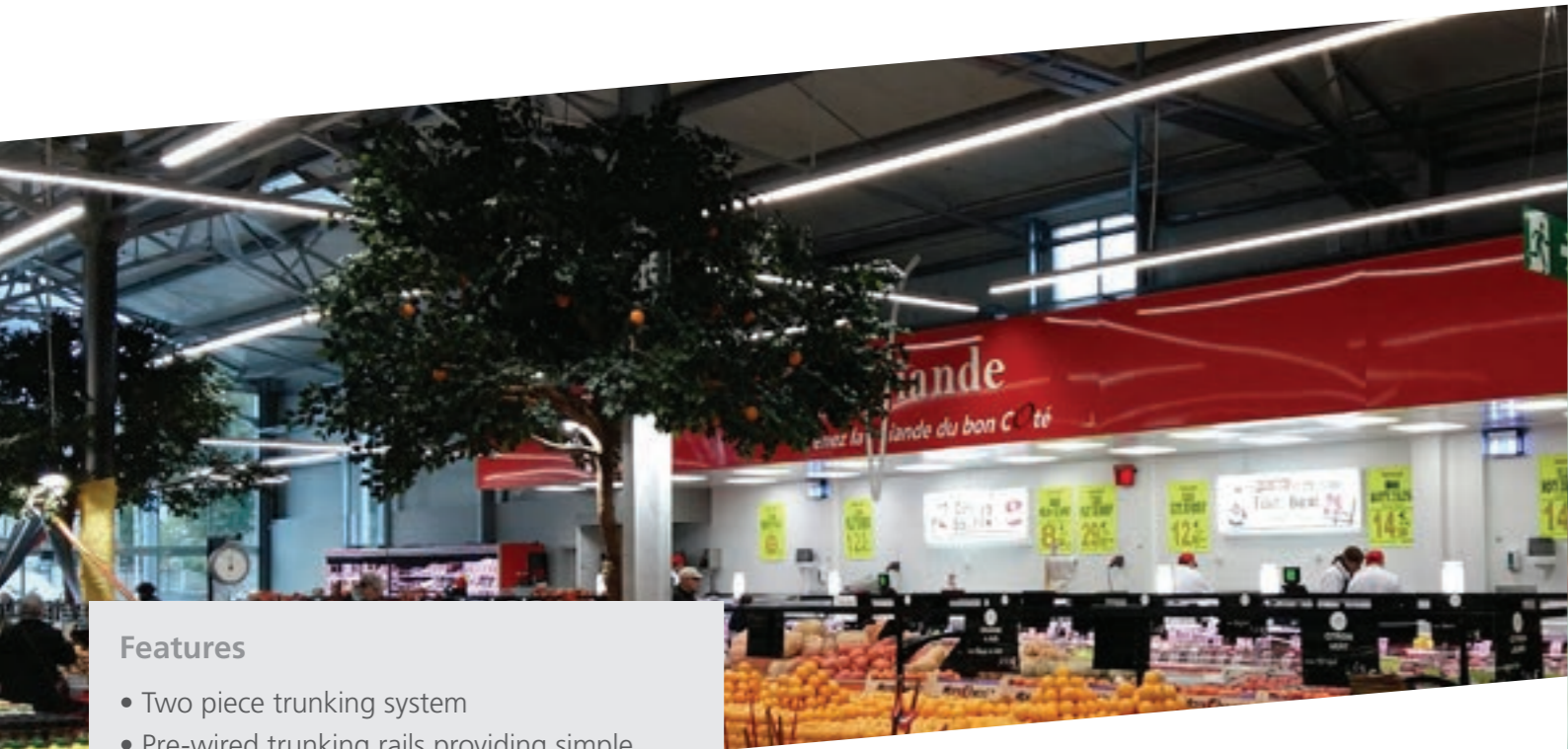
X Coupler



Flexible Coupler

\*1000mm, 2000mm, 3000mm, 4000mm length

# SYLVANIA RTS Rail & Trunking System

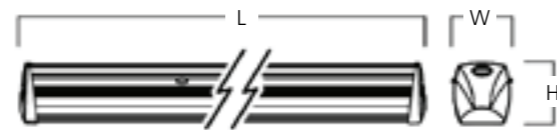


## Features

- Two piece trunking system
- Pre-wired trunking rails providing simple design and less site installation time
- Various accessories provided to meet the needs of the most rigorous specification
- Optical options offers product flexibility, regardless of installation height
- Supply Rails: Supplied in 2,5mm conductor 5, 8 & 12 wire to accept mains, DALI dimming & Emergency options
- Steel Rail: Power rail manufactured in high performance steel for rigidity coloured in RAL9016 White
- Uniform Lighting: Effective lighting providing uniformity and low glare
- Long lifespan: 120,000 hours (L70B50)



Version	0.6m	0.9m	1.2m	1.5m	2.4m	3m	3.6m	4.5m
L	600	900	1202	1500	2403	2403	3605	4500



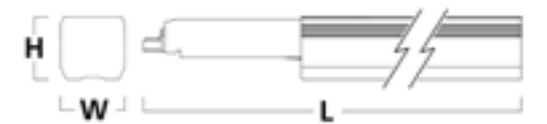
Version	1.2m	1.5m	2.3m	3m
L	1209	1508	2411	3008

# SYLVANIA Isoline



## Features

- Flexible linear lighting system. Quick to install, no tools required connection system
- Aesthetically pleasing, sleek, cornerless design suspended unobtrusively
- Efficient low running costs
- Pre-wired system providing simple design and less site installation time
- Various accessories provided to meet the needs of the most rigorous specification
- Lighting control options to manage light output and utility costs
- High output, low glare
- Optical options full range of light distributions to match any space
- Long lifespan: 60,000 hours (L70B50)



Size (L x W x H)	Wattage	Lumen
1,840mm x 62mm x 59mm	57W	8,000lm
1,840mm x 62mm x 59mm	57W	8,150lm
1,840mm x 62mm x 59mm	57W	8,300lm
1,840mm x 62mm x 59mm	57W	8,800lm
1,840mm x 62mm x 59mm	60W	8,150lm
3,530mm x 62mm x 59mm	114W	16,000lm
3,530mm x 62mm x 59mm	114W	16,300lm
3,530mm x 62mm x 59mm	114W	16,600lm
3,530mm x 62mm x 59mm	114W	17,600lm
3,530mm x 62mm x 59mm	117W	16,300lm
3,530mm x 62mm x 59mm	117W	17,600lm

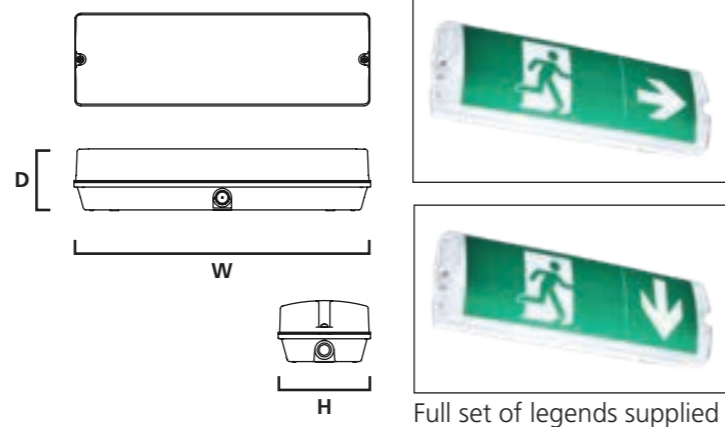


# START Emergency Bulkhead



## Features

- Efficient LED emergency bulkhead
- 3 hour maintained or non maintained for internal & external application
- Manual test as standard
- Manufactured in robust housing to an impact rating of IK07 and is IP65 rated
- A full pack of ISO7010 compliant legends supplied
- Offering 170 lumen output with lifespan of 30,000 hours (L70B50)
- Complete with screws, washers and IP rated cable gland / clamp
- Housing RAL 9003 Signal White
- Push in terminal block
- Battery: 1800mAh 3.6V Ni-Cd
- Efficient thermal design: ta 0 to +35°C
- Complies with EN60598-2-22



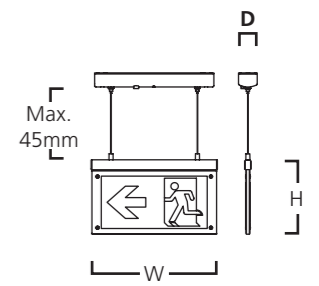
Size (W x H x D)	Wattage	Lumen
346mm x 110mm x 60mm	3.5W	170lm

# START Emergency Exit

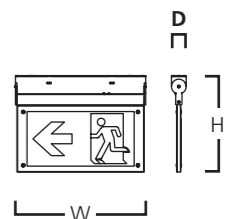


## Features

- Double sided 3 hour emergency exit signage (can be used as one sided if preferred)
- Surface mounted and suspended options available
- Surface mounted version can be used for wall or ceiling mounting with a 90 degree rotation
- Manual test function (including a test button)
- Maintained operation
- 3 hour maintained emergency
- Products include 7 ISO7010 Legends supplied. Left, Right, 2 x Up, 2 x Down and Blank
- Battery: 900mAh 3.6V Ni-Cd
- Efficient thermal design: ta 0 to +35°C
- Complies with EN60598-2-22
- Viewing Distance calculated to 30m



Size (W x H x D)	Wattage
300mm x 185mm x 245mm	2W



Size (W x H x D)	Wattage
310mm x 230mm x 35mm	3W



For ordering guide please visit page 113.

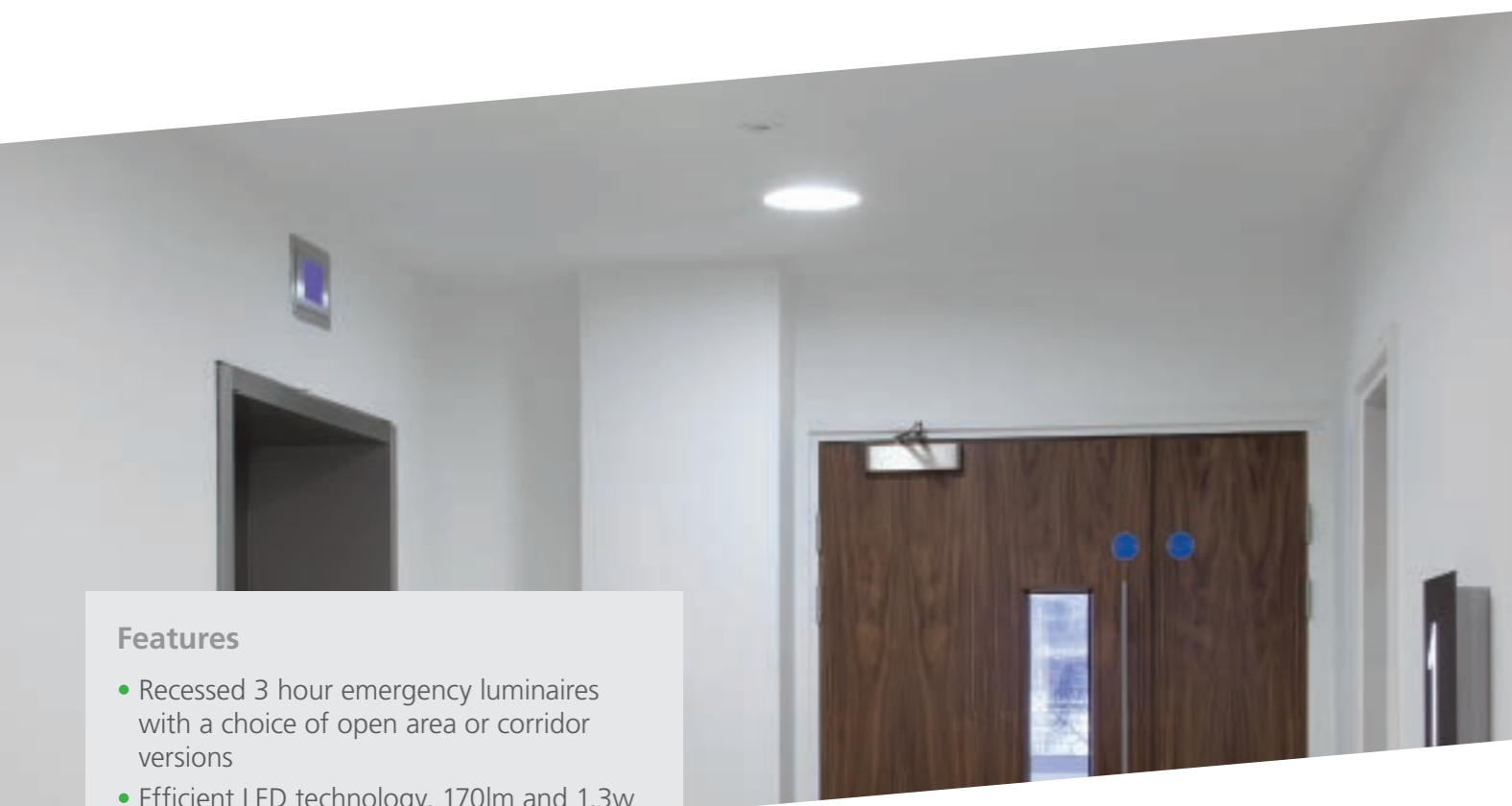
\* Battery warranty 1 year

sylvania-lighting.com

\* Battery warranty 1 year

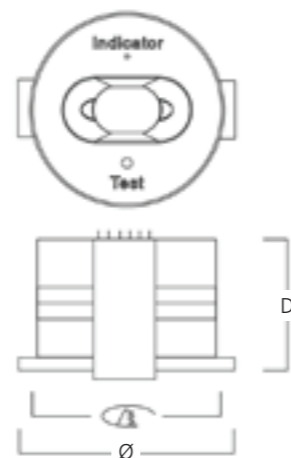
sylvania-lighting.com

# START Emergency Spot



## Features

- Recessed 3 hour emergency luminaires with a choice of open area or corridor versions
- Efficient LED technology, 170lm and 1.3w
- Non Maintained 3 hour emergency with manual test
- Complies with EN 60598-2-22
- RAL9003 Signal White bezel
- Ni-Cd Battery
- Polycarbonate Housing
- 35mm cut out
- Lifespan : 30,000 hours (L70B50)



Size (Ø x D)	Cut Out	Wattage	Lumen
Ø45mm x 22mm	Ø35	1.3W	170lm

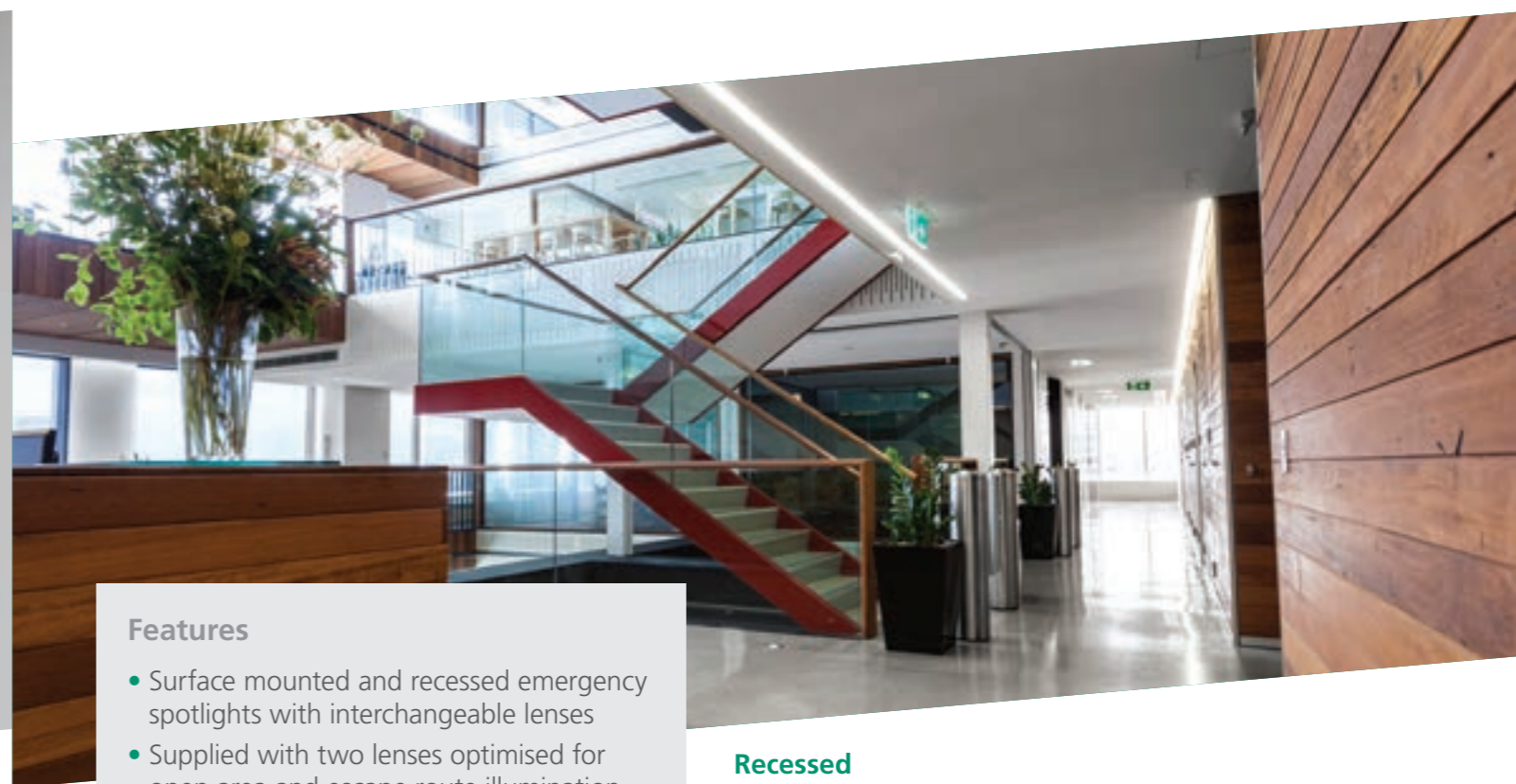


For ordering guide please visit page 113.

\* Battery warranty 1 year

sylvania-lighting.com

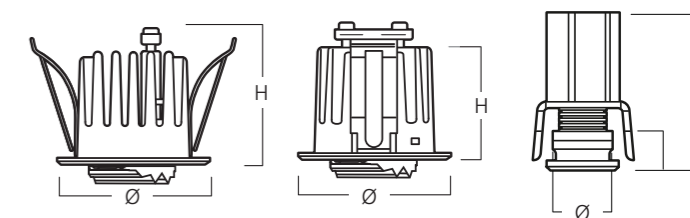
# SYLVANIA Sylsafe Spot



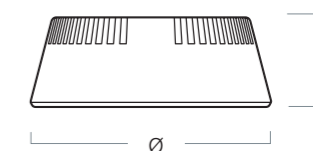
## Features

- Surface mounted and recessed emergency spotlights with interchangeable lenses
- Supplied with two lenses optimised for open area and escape route illumination respectively
- Self contained version. Comes with 3 hour emergency duration as standard
- Autotest versions carry out regular tests automatically and use the indicator light to display results
- DALI versions are remote monitoring capable if connected to SylSafe N-LIGHT monitoring unit (sold separately)
- Available in 5700K or 6300K

### Recessed



### Surface



Size (Ø x H)	Wattage	Lumen
Ø39mm x 41mm		300lm
Ø50mm x 41mm		300lm
Ø120mm x 44mm		145lm
Ø12mm x 26.5mm		80lm



For ordering guide please visit page 114.

\* Battery warranty 1 year

sylvania-lighting.com

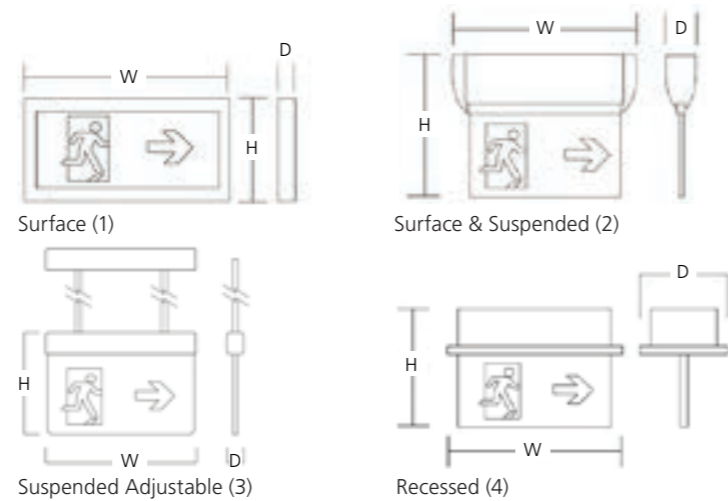
# SYLVANIA Sylsafe Exit



## Features

- Emergency lighting fixtures for escape route marking
- All products come with ISO7010 compliant legend pack
- EC type legends are available as accessory
- Available in recessed, surface and wall mounting to fit any application
- EX versions are with rotateable blade allowing angled installation
- Self contained versions come with 3 hours duration as standard
- Central battery versions also available
- Autotest versions carry out regular tests automatically and use the indicator light to display results
- DALI versions are remote monitoring capable if connected to SylSafe N-LIGHT monitoring unit (sold separately)
- Viewing distance: 26m

## Exit

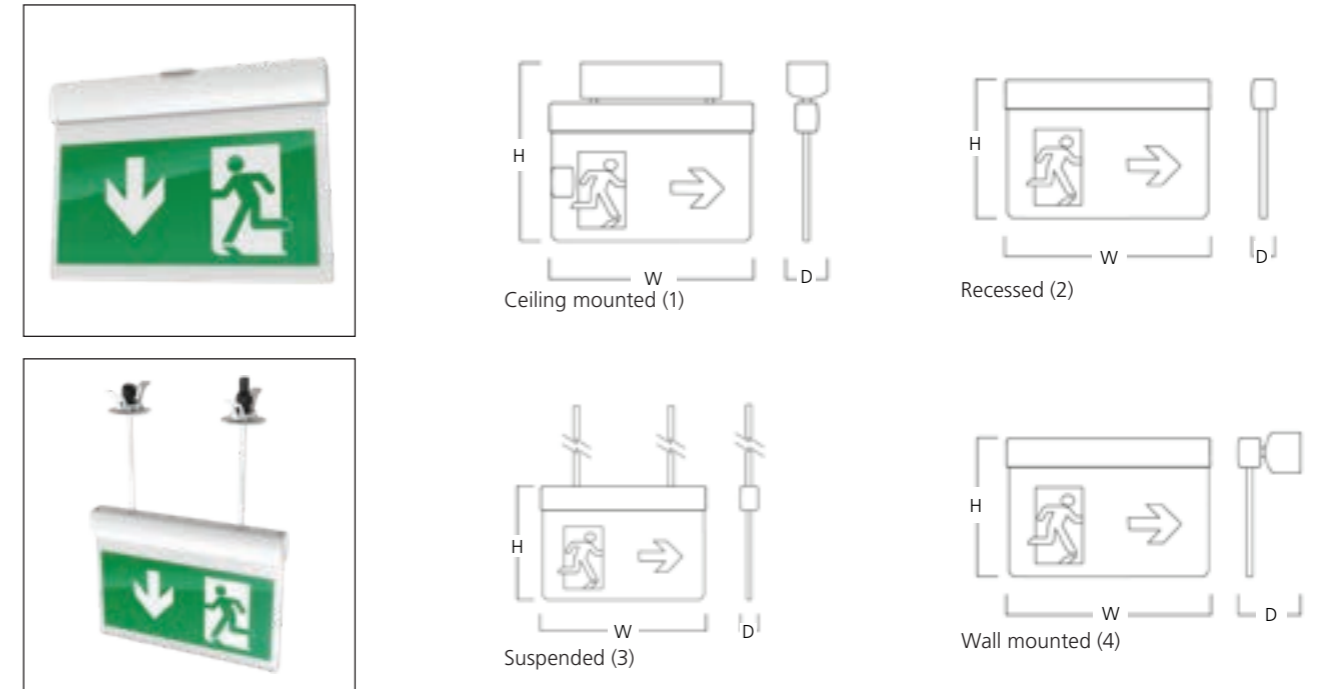


	Size (W x H x D)	Wattage	Lumen
1	315mm x 190mm x 30mm	-	300lm
2	300mm x 220mm x 50mm	-	300lm
3	385mm x 185mm x 71mm	-	145lm
4	355mm x 210mm x 112mm	-	80lm

\* Battery warranty 1 year

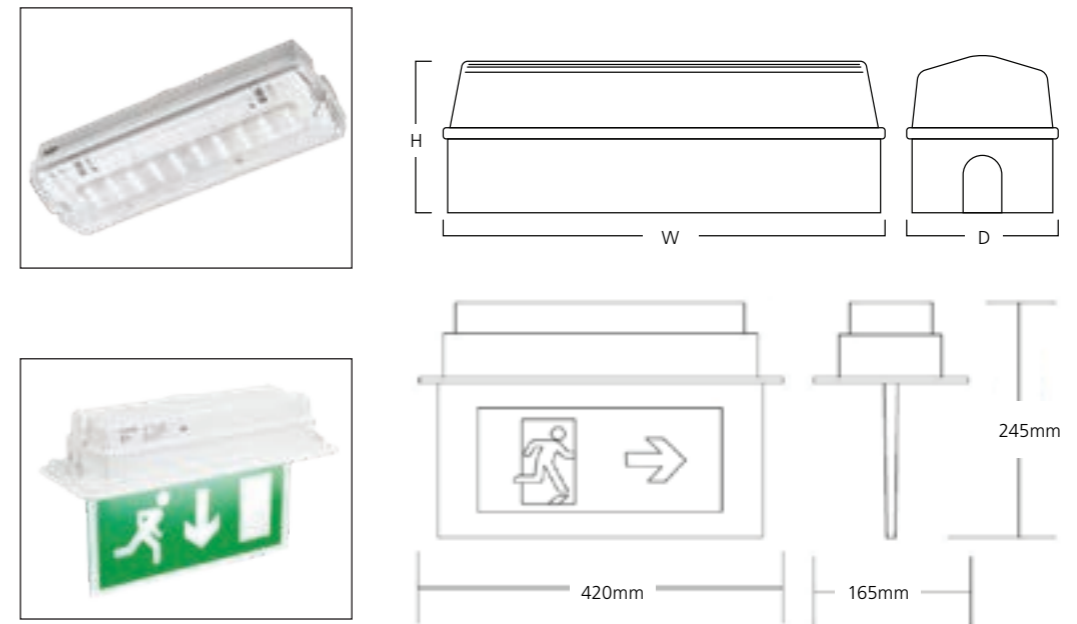
sylvania-lighting.com

## Exit Mod



	Size (W x H x D)	Wattage (3 hours)	Wattage (Central battery)
1	300mm x 253mm x 57mm	4.9W	1.8W
2	300mm x 201mm x 49mm	4.9W	1.8W
3	300mm x 201mm x 49mm	4.9W	1.8W
4	300mm x 201mm x 49mm	4.9W	1.8W

## Exit IP65



	Size (W x H x D)	Wattage	Lumen
	350mm x 90mm x 120mm	7W	135lm
	420mm x 245mm x 165mm	6.5W	135lm

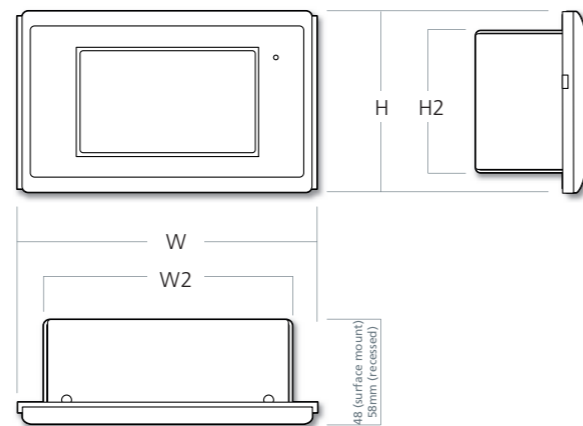


# SYLVANIA Sylsafe N-Light



## Features

- Simple to use live system status diagnostics for instant information
- Intuitive touch screen interface
- One screen monitors the whole floor
- 128 DALI addresses via two subnets
- Operates on its own. No need for PC
- Incorporates a long life replaceable battery for continuous operation even during power failure
- Works with SylSafe DALI products
- Compatible with: Sylsafe Exit, Sylsafe Spot, Emergency Pack, Sylsafe Twin



Size (W x H)	Cut Out (W2 x H2)	Wattage	Lumen
155mm x 92mm	133mm x 72mm	1.3W	170lm

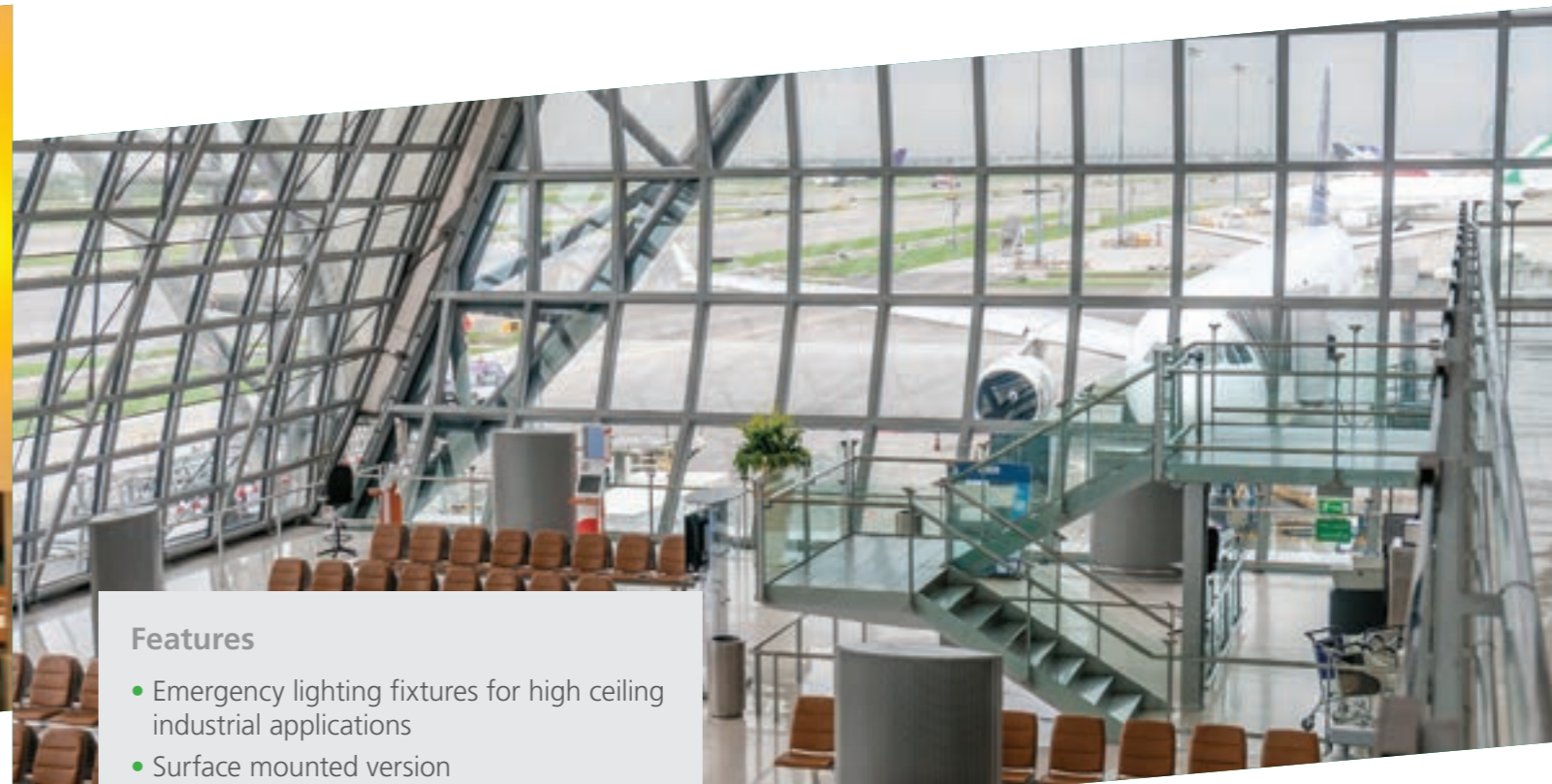


For ordering guide please visit page 115.

\* Battery warranty 1 year

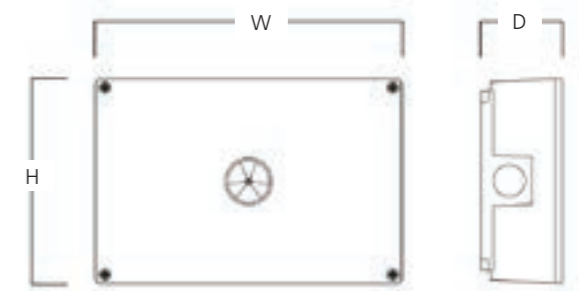
[sylvania-lighting.com](http://sylvania-lighting.com)

# SYLVANIA Sylsafe Bay



## Features

- Emergency lighting fixtures for high ceiling industrial applications
- Surface mounted version
- 5 different light distributions for height flexibility
- Self contained versions come with 3 hours duration as standard
- Central battery versions also available
- Autotest versions carry out regular tests automatically and use the indicator light to display results
- DALI versions are remote monitoring capable if connected to SylSafe N-LIGHT monitoring unit (sold separately)
- Nominal luminous flux 200lm. Consult spacing tables for choosing the right optics
- Available in 5700K



For ordering guide please visit page 115.

\* Battery warranty 1 year

[sylvania-lighting.com](http://sylvania-lighting.com)

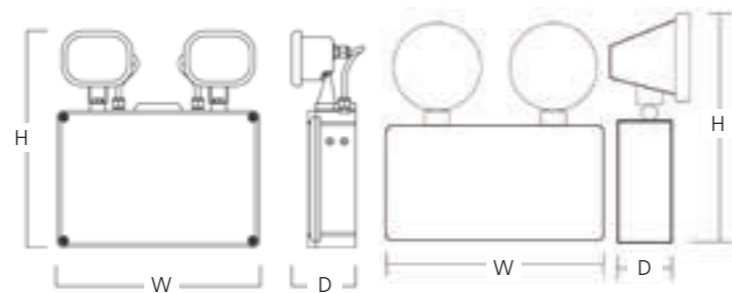
Size (W x H x D)	Wattage	Lumen
197mm x 132mm x 53mm	3W	177lm
197mm x 132mm x 53mm	3W	200lm
197mm x 132mm x 53mm	3W	217lm

# SYLVANIA Sylsafe Twin



## Features

- Emergency lighting fixtures for large open areas or high ceiling installations
- Surface mounted version
- Self contained versions come with 3 hours duration as standard
- Two individually adjustable heads each delivering 200lm
- Autotest versions carry out regular tests automatically and use the indicator light to display results
- DALI versions are remote monitoring capable if connected to SylSafe N-LIGHT monitoring unit (sold separately)
- Available in 5000K or 5700K



Size (W x H x D)	Wattage	Lumen
280mm x 300mm x 87mm	3.23W	2 x 200lm
275mm x 300mm x 55mm	2 x 3W	2 x 380lm

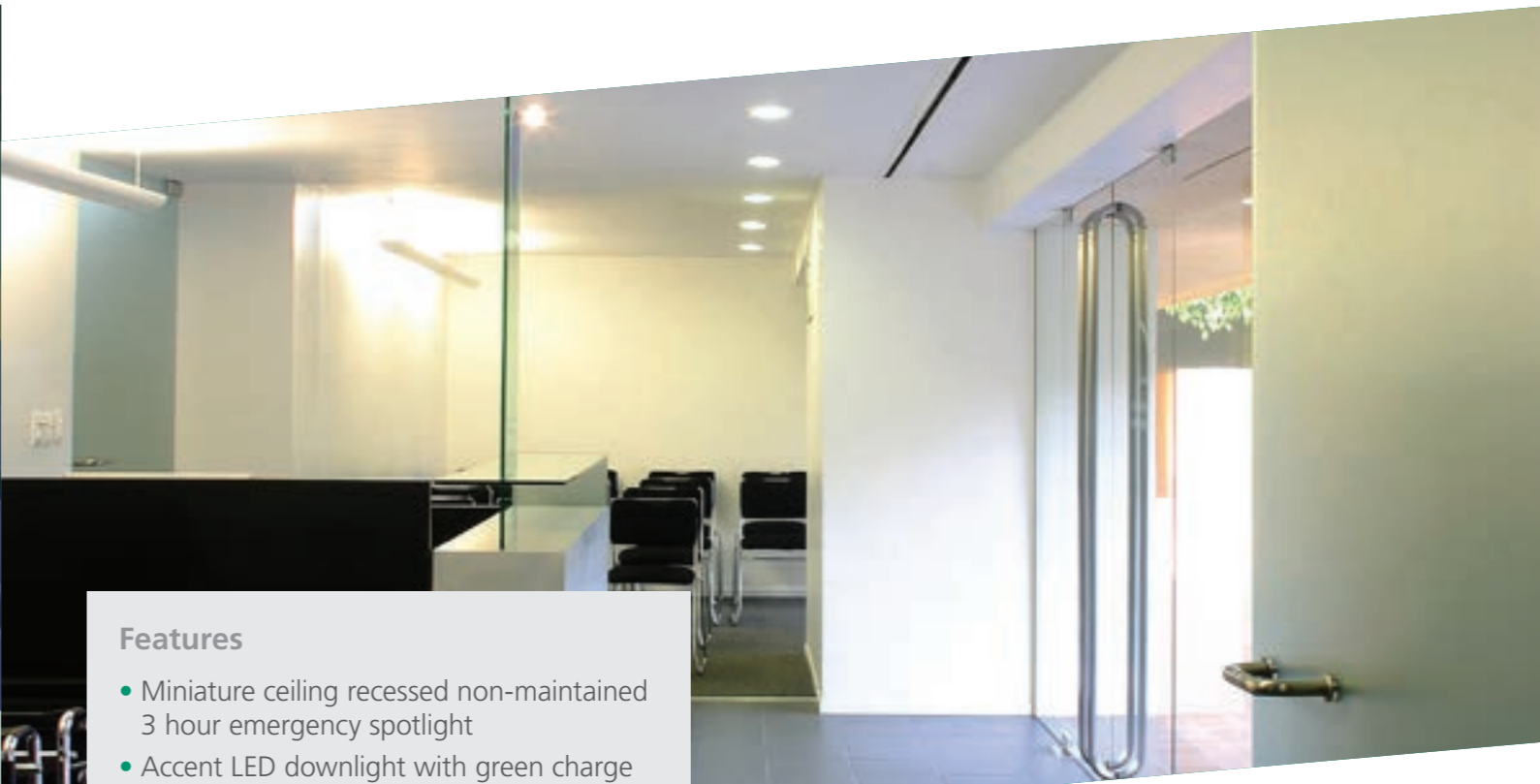


For ordering guide please visit page 116.

\* Battery warranty 1 year

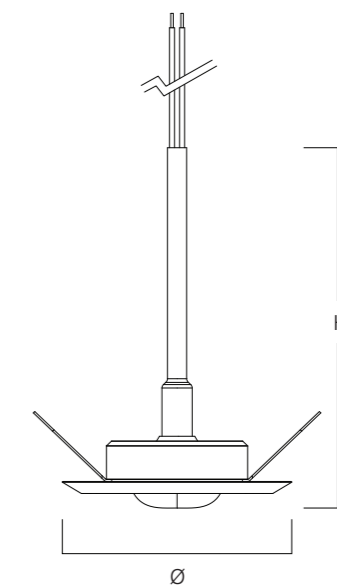
sylvania-lighting.com

# Concord Routeled II



## Features

- Miniature ceiling recessed non-maintained 3 hour emergency spotlight
- Accent LED downlight with green charge indicator
- Stand alone unit complete with inverter module and Nickel-Metal Hydride battery pack
- Inverter and battery pack pass through a 40mm cut-out
- Quick and easy installation with simple plug and socket connections
- Outstanding performance - 9m open area and 19m corridor spacing (see table below)
- Available in 5000K



Size (Ø x D)	Wattage	Lumen
ø45.5mm x 75mm	2W	212lm
ø45.5mm x 75mm	2W	219lm

## Accessories



Surface Mount



Emergency pack

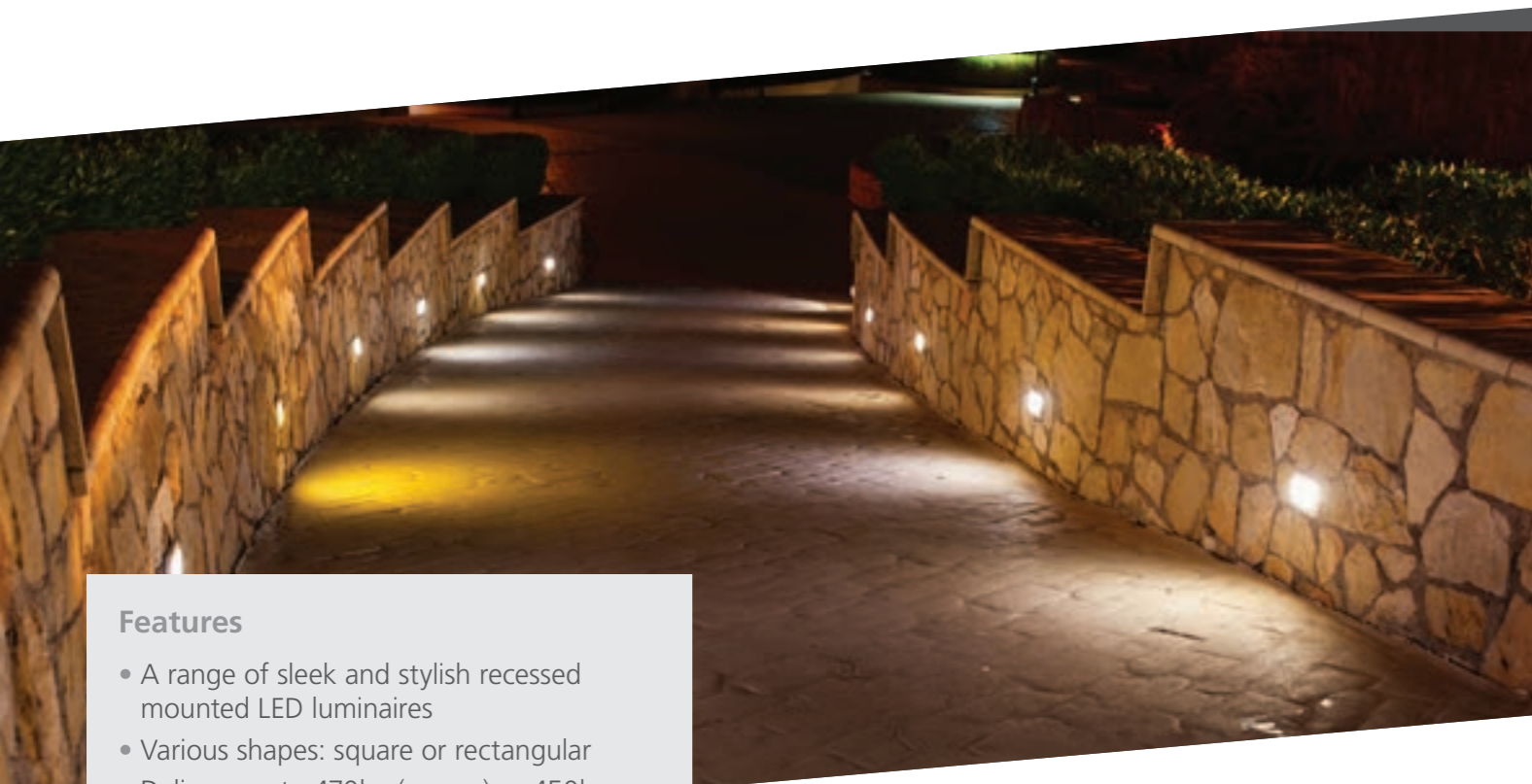


For ordering guide please visit page 116.

\* Battery warranty 1 year

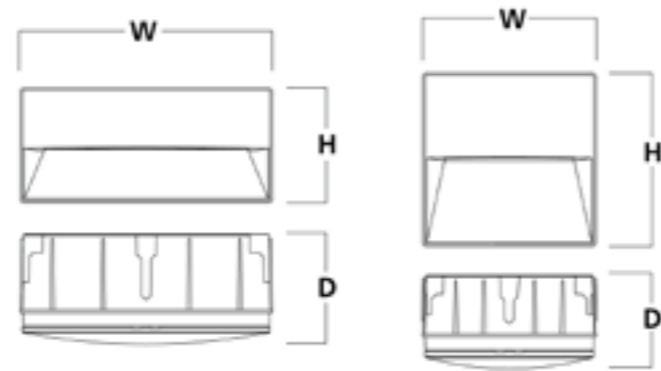
sylvania-lighting.com

# Concord Muro Recessed



## Features

- A range of sleek and stylish recessed mounted LED luminaires
- Various shapes: square or rectangular
- Delivers up to 470lm (square) or 450lm (rectangular)
- Die cast aluminium housing with glass diffuser
- Through-wiring possibility thanks to the cable entries inside the recessing box
- Anthracite grey colour (RAL7016)
- Available in 3000K or 4000K
- Long lifespan: 90,000 hours (L70B50)



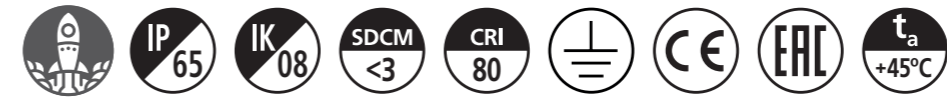
Size (W x H x D)	Wattage	Lumen
185mm x 185mm x 100mm	9.2W	470lm
275mm x 125mm x 120mm	9.2W	450lm



For ordering guide please visit page 116.

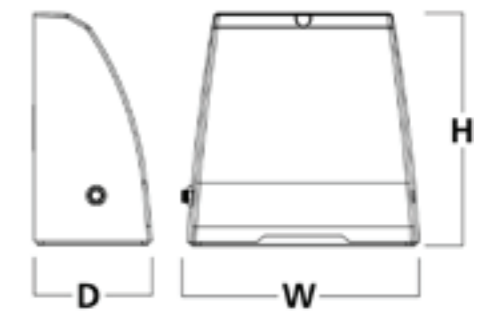
[sylvania-lighting.com](http://sylvania-lighting.com)

# Concord Muro Surface

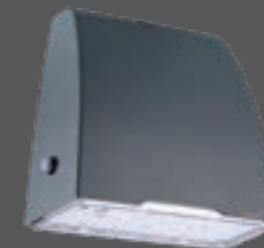


## Features

- Perfect for path, guidance and emergency lighting around buildings
- High efficiency, up to 130lm/W
- Multipower solution with 4 lumen options from 1750 to 3300lm
- Switchable integrated photocell for automatic operation depends on daylight
- RAL7016 – anthracite grey colour
- Available in 4000K
- Long lifespan: 119,000 hours (L70B50)



Size (W x H x D)	Wattage	Lumen
311mm x 305mm x 156mm	14 - 27W	1750 - 3300lm
311mm x 305mm x 156mm	16 - 29W	1750 - 3300lm



For ordering guide please visit page 116.

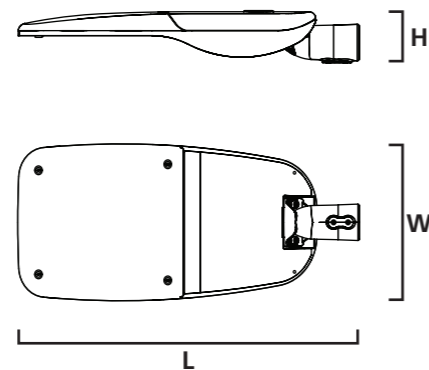
[sylvania-lighting.com](http://sylvania-lighting.com)

# SYLVANIA Skyline Street



## Features

- Ideal for major and minor road lighting applications
- High efficiency, up to 128lm/W
- Four different sizes available
- LED lantern to replace traditional HID fixtures
- Adjustable tilting positions from -15° to +15° on post top or side entry installations
- Easy maintenance with tool-less opening
- Opening gear cover hinges upwards
- Available in Grey RAL 9022 colour finish as standard, other RAL colours on request
- Fits onto 42-60mm side entry or post top spigot
- Wide operating temperature range from -40 up to +50°C
- Several controls possibilities (DALI, Photocell, other integrated Smart lighting technologies) on request
- Long lifespan up to 100,000 hours (L70B50)



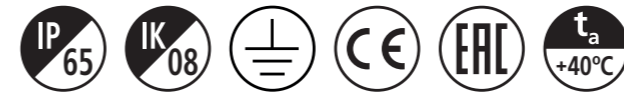
Size (L x W x H)	Wattage	Lumen
525mm x 255mm x 105mm	49W	5,869lm
625mm x 290mm x 105mm	103W	12,948lm
780mm x 325mm x 105mm	147W	17,029lm
915mm x 415mm x 140mm	244W	30,600lm



For ordering guide please visit page 116.

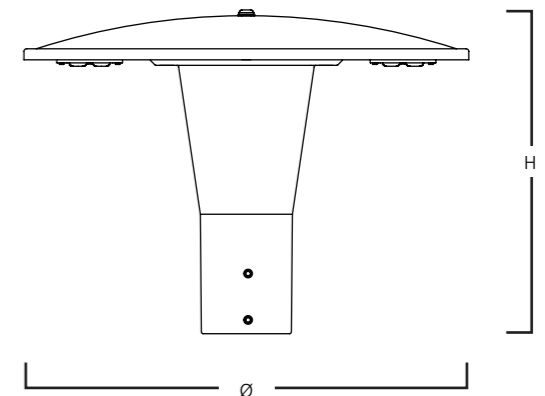
sylvania-lighting.com

# Concord Skyline LED



## Features

- Circular, architectural style LED Pole top to replace traditional HID fixtures
- Ideal for amenity lighting, including car parks and perimeter lighting
- High efficiency, up to 148lm/W
- Available in both symmetric and asymmetric versions
- Designed to fit onto 76 / 89mm pole top
- Recommended for mounting heights of 4-10m
- Light weight and compact luminaire in comparison to traditional alternative
- Available in 4,000K
- Long lifespan, up to 80,000 hours (L70B50)



Size (Ø x H)	Wattage	Lumen
Ø484mm x 352mm	47W	6,208lm
Ø484mm x 352mm	74W	10,444lm
Ø684mm x 445mm	120W	17,765lm
Ø684mm x 445mm	158W	22,978lm



For ordering guide please visit page 117.

sylvania-lighting.com

# Optix Recessed

## Product information

Code	Description	Total System power consumption (W)	Lumen output (lm)	Efficacy (lm/W)	Colour temperature (K)	Drive current (mA)	CRI	Height (mm)	Length (mm)	IP rating	IK rating	UGR	Lifespan L80B20 (hours)
<b>600 x 600mm - Standard Output - CRI80 3000K (Warm White)</b>													
2023590	Optix Recessed 600x600 2L SO 3000K ALU	23	2,900	126	3,000	450	80	38	596	IP20	IK07	16	100,000
2023592	Optix Recessed 600x600 2L SO 3000K WHT	21	2,800	133	3,000	400	80	38	596	IP20	IK07	19	100,000
2023591	Optix Recessed 600x600 2L SO 3000K ALU DALI	23	2,900	126	3,000	225	80	38	596	IP20	IK07	16	100,000
2023593	Optix Recessed 600x600 2L SO 3000K WHT DALI	21	2,800	133	3,000	200	80	38	596	IP20	IK07	19	100,000
<b>600 x 600mm - Standard Output - CRI80 4000K (Neutral White)</b>													
2023594	Optix Recessed 600x600 2L SO 4000K ALU	21	2,800	133	4,000	400	80	38	596	IP20	IK07	16	100,000
2023599	Optix Recessed 600x600 2L SO 4000K WHT	20	2,850	143	4,000	375	80	38	596	IP20	IK07	19	100,000
2023595	Optix Recessed 600x600 2L SO 4000K ALU DALI	21	2,800	133	4,000	200	80	38	596	IP20	IK07	16	100,000
2023600	Optix Recessed 600x600 2L SO 4000K WHT DALI	20	2,850	143	4,000	175	80	38	596	IP20	IK07	19	100,000
2023598	Optix Recessed 600x600 2L SO 4000K ALU SSA01	22	2,800	127	4,000	200	80	38	596	IP20	IK07	16	100,000
2023603	Optix Recessed 600x600 2L SO 4000K WHT SSA01	21	2,850	136	4,000	180	80	38	596	IP20	IK07	19	100,000
2023597	Optix Recessed 600x600 2L SO 4000K ALU EM	21	2,800	133	4,000	400	80	38	596	IP20	IK07	16	100,000
2023602	Optix Recessed 600x600 2L SO 4000K WHT EM	20	2,850	143	4,000	375	80	38	596	IP20	IK07	19	100,000
2023596	Optix Recessed 600x600 2L SO 4000K ALU DALI EM	21	2,800	133	4,000	200	80	38	596	IP20	IK07	16	100,000
2023601	Optix Recessed 600x600 2L SO 4000K WHT DALI EM	20	2,850	143	4,000	175	80	38	596	IP20	IK07	19	100,000
2023632	Optix Recessed 600x600 3L SO 4000K ALU	21	2,900	138	4,000	400	80	38	596	IP20	IK07	16	100,000
2023634	Optix Recessed 600x600 3L SO 4000K WHT	20	2,900	145	4,000	375	80	38	596	IP20	IK07	19	100,000
2023633	Optix Recessed 600x600 3L SO 4000K ALU DALI	21	2,900	138	4,000	125	80	38	596	IP20	IK07	16	100,000
2023635	Optix Recessed 600x600 3L SO 4000K WHT DALI	20	2,900	145	4,000	125	80	38	596	IP20	IK07	19	100,000
<b>600 x 600mm - Standard Output - LumiNature 4000K (Neutral White)</b>													
2023832	Optix Recessed 600x600 2L LUMI 4K ALU	30	2,915	97	4,000	200	98	38	596	IP20	IK07	16	100,000
2023833	Optix Recessed 600x600 2L LUMI 4K ALU DALI	30	2,915	97	4,000	200	98	38	596	IP20	IK07	16	100,000
2023834	Optix Recessed 600x600 2L LUMI 4K ALU SSC	31	2,915	94	4,000	200	98	38	596	IP20	IK07	16	100,000
2023863	Optix Recessed 600x600 2L LUMI 4K ALU SSA	31	2,915	94	4,000	200	98	38	596	IP20	IK07	16	100,000
<b>600 x 600mm - Standard Output - LumiNature 2800-6200K (Tunable White)</b>													
2023835	Optix Recessed 600x600 2L LUMI HCL TW ALU DALI	32	2,780	87	2,800-6,200	200	96	38	596	IP20	IK07	16	100,000
2023836	Optix Recessed 600x600 2L LUMI HCL TW ALU SSC	33	2,780	84	2,800-6,200	200	96	38	596	IP20	IK07	16	100,000
<b>600 x 600mm - Medium Output - CRI80 3000K (Warm White)</b>													
2023570	Optix Recessed 600x600 2L 3000K ALU	26	3,200	123	3,000	500	80	38	596	IP20	IK07	16	100,000
2023572	Optix Recessed 600x600 2L 3000K WHT	26	3,450	133	3,000	500	80	38	596	IP20	IK07	19	100,000
2023571	Optix Recessed 600x600 2L 3000K ALU DALI	26	3,200	123	3,000	250	80	38	596	IP20	IK07	16	100,000
2023573	Optix Recessed 600x600 2L 3000K WHT DALI	26	3,450	133	3,000	250	80	38	596	IP20	IK07	19	100,000
2023604	Optix Recessed 600x600 3L 3000K ALU	26	3,250	125	3,000	500	80	38	596	IP20	IK07	16	100,000
2023606	Optix Recessed 600x600 3L 3000K WHT	26	3,550	137	3,000	500	80	38	596	IP20	IK07	19	100,000
2023605	Optix Recessed 600x600 3L 3000K ALU DALI	26	3,250	125	3,000	175	80	38	596	IP20	IK07	16	100,000
2023607	Optix Recessed 600x600 3L 3000K WHT DALI	26	3,550	137	3,000	150	80	38	596	IP20	IK07	19	100,000
<b>600 x 600mm - Medium Output - CRI80 4000K (Neutral White)</b>													
2023574	Optix Recessed 600x600 2L 4000K ALU	26	3,400	131	4,000	500	80	38	596	IP20	IK07	16	100,000
2023585	Optix Recessed 600x600 2L 4000K WHT	23	3,350	146	4,000	500	80	38	596	IP20	IK07	19	100,000
2023575	Optix Recessed 600x600 2L 4000K ALU DALI	26	3,400	131	4,000	250	80	38	596	IP20	IK07	16	100,000
2023586	Optix Recessed 600x600 2L 4000K WHT DALI	23	3,350	146	4,000	250	80	38	596	IP20	IK07	19	100,000
2023578	Optix Recessed 600x600 2L 4000K ALU SSA01	27	3,400	126	4,000	250	80	38	596	IP20	IK07	16	100,000
2023589	Optix Recessed 600x600 2L 4000K WHT SSA01	24	3,400	142	4,000	250	80	38	596	IP20	IK07	19	100,000
2023577	Optix Recessed 600x600 2L 4000K ALU EM	26	3,400	131	4,000	500	80	38	596	IP20	IK07	16	100,000

Product overview on page 16

Code	Description	Total System power consumption (W)	Lumen output (lm)	Efficacy (lm/W)	Colour temperature (K)	Drive current (mA)	CRI	Height (mm)	Length (mm)	IP rating	IK rating	UGR	Lifespan L80B20 (hours)
2023588	Optix Recessed 600x600 2L 4000K WHT EM	23	3,350	146	4,000	500	80	38	596	IP20	IK07	19	100,000
2023576	Optix Recessed 600x600 2L 4000K ALU DALI EM	26	3,400	131	4,000	250	80	38	596	IP20	IK07	16	100,000
2023587	Optix Recessed 600x600 2L 4000K WHT DALI EM	23	3,350	146	4,000	250	80	38	596	IP20	IK07	19	100,000
2023608	Optix Recessed 600x600 3L 4000K ALU	26	3,600	138	4,000	500	80	38	596	IP20	IK07	16	100,000
2023613	Optix Recessed 600x600 3L 4000K WHT	24	3,450	144	4,000	500	80	38	596	IP20	IK07	19	100,000
2023609	Optix Recessed 600x600 3L 4000K ALU DALI	26	3,600	138	4,000	175	80	38	596	IP20	IK07	16	100,000
2023614	Optix Recessed 600x600 3L 4000K WHT DALI	24	3,450	144	4,000	165	80	38	596	IP20	IK07	19	100,000
2023612	Optix Recessed 600x600 3L 4000K ALU SSC	27	3,600	133	4,000	250	80	38	596	IP20	IK07	16	100,000
2023617	Optix Recessed 600x600 3L 4000K WHT SSC	25	3,450	138	4,000	250	80	38	596	IP20	IK07	19	100,000
2023611	Optix Recessed 600x600 3L 4000K ALU EM	26	3,600	138	4,000	500	80	38	596	IP20	IK07	16	100,000
2023616	Optix Recessed 600x600 3L 4000K WHT EM	24	3,450	144	4,000	450	80	38	596	IP20	IK07	19	100,000
2023610	Optix Recessed 600x600 3L 4000K ALU DALI EM	26	3,600	138	4,000	250	80	38	596	IP20	IK07	16	100,000
2023615	Optix Recessed 600x600 3L 4000K WHT DALI EM	24	3,450	144	4,000	225	80	38	596	IP20	IK07	19	100,000
<b>600 x 600mm - Medium Output - CRI90 4000K (Neutral White)</b>													
2023579	Optix Recessed 600x600 2L 4000K C9 ALU	30	3,550	118	4,000	600	90	38	596	IP20	IK07	16	100,000
2023582	Optix Recessed 600x600 2L 4000K C9 WHT	28	3,500	125	4,000	550	90	38	596	IP20	IK07	19	100,000
2023580	Optix Recessed 600x600 2L 4000K C9 ALU DALI	30	3,550	118	4,000	300	90	38	596	IP20	IK07	16	100,000
2023583	Optix Recessed 600x600 2L 4000K C9 WHT DALI	28	3,500	125	4,000	275	90	38	596	IP20	IK07	19	100,000
2023581	Optix Recessed 600x600 2L 4000K C9 ALU EM	30	3,550	118	4,000	600	90	38	596	IP20	IK07	16	100,000
2023584	Optix Recessed 600x600 2L 4000K C9 WHT EM	28	3,500	125	4,000	550	90	38	596	IP20	IK07	19	100,000
<b>600 x 600mm - Medium Output - CRI80 3000-6000K (Neutral White)</b>													
2023636	Optix Recessed 600x600 3L TW ALU DALI	30	3,400	113	3,000-6,000	600	80	38	596	IP20	IK07	16	100,000
2023638	Optix Recessed 600x600 3L TW WHT DALI	30	3,600	120	3,000-6,000	600	80	38	596	IP20	IK07	19	100,000
2023637	Optix Recessed 600x600 3L TW ALU SSC01	31	3,400	110	3,000-6,000	600	80	38	596	IP20	IK07	16	100,000
2023639	Optix Recessed 600x600 3L TW WHT SSC01	31	3,600	116	3,000-6,000	600	80	38	596	IP20	IK07	19	100,000
<b>600 x 600mm - Medium Output - LumiNature 4000K (Neutral White)</b>													
2023842	Optix Recessed 600x600 3L LUMI 4K ALU	37	3,750	102	4,000	250	98	38	596	IP20	IK07	16	100,000
2023843	Optix Recessed 600x600 3L LUMI 4K ALU DALI	37	3,750	102	4,000	250	98	38	596	IP20	IK07	16	100,000
2023844	Optix Recessed 600x600 3L LUMI 4K ALU SSC	38	3,750	99	4,000	250	98	38	596	IP20	IK07	16	100,000
2023865	Optix Recessed 600x600 3L LUMI 4K ALU SSA	38	3,750	99	4,000	250	98	38	596	IP20	IK07	16	100,000
<b>600 x 600mm - Medium Output - LumiNature 2800-6200K (Tunable White)</b>													
2023845	Optix Recessed 600x600 3L LUMI HCL TW ALU DALI	37	3,510	95	2,800-6,200	165	96	38	596	IP20	IK07	16	100,000
2023846	Optix Recessed 600x600 3L LUMI HCL TW ALU SSC	38	3,510	93	2,800-6,200	165	96	38	596	IP20	IK07	16	100,000
<b>600 x 600mm - High Output - CRI80 3000K (Warm White)</b>													
2023618	Optix Recessed 600x600 3L HO 3000K ALU	36	4,450	124	3,000	700	80	38	596	IP20	IK07	16	

Code	Description	Total System power consumption (W)	Lumen output (lm)	Efficacy (lm/W)	Colour temperature (K)	Drive current (mA)	CRI	Height (mm)	Length (mm)	IP rating	IK rating	UGR	Lifespan L80B20 (hours)
<b>625 x 625mm - Medium Output - CRI80 4000K (Neutral White)</b>													
2023640	Optix Recessed 625x625 3L 4000K ALU	26	3,600	138	4,000	500	80	38	621	IP20	IK07	16	100,000
2023645	Optix Recessed 625x625 3L 4000K WHT	24	3,450	144	4,000	500	80	38	621	IP20	IK07	19	100,000
2023641	Optix Recessed 625x625 3L 4000K ALU DALI	26	3,600	138	4,000	250	80	38	621	IP20	IK07	16	100,000
2023646	Optix Recessed 625x625 3L 4000K WHT DALI	24	3,450	144	4,000	250	80	38	621	IP20	IK07	19	100,000
2023644	Optix Recessed 625x625 3L 4000K ALU SSC	27	3,600	133	4,000	250	80	38	621	IP20	IK07	16	100,000
2023649	Optix Recessed 625x625 3L 4000K WHT SSC	25	3,450	138	4,000	250	80	38	621	IP20	IK07	19	100,000
2023643	Optix Recessed 625x625 3L 4000K ALU SSA01	27	3,600	133	4,000	250	80	38	621	IP20	IK07	16	100,000
2023648	Optix Recessed 625x625 3L 4000K WHT SSA01	25	3,450	138	4,000	255	80	38	621	IP20	IK07	19	100,000
2023642	Optix Recessed 625x625 3L 4000K ALU EMCB	26	3,600	138	4,000	500	80	38	621	IP20	IK07	16	100,000
2023647	Optix Recessed 625x625 3L 4000K WHT EMCB	24	3,450	144	4,000	500	80	38	621	IP20	IK07	19	100,000
<b>625 x 625mm - Medium Output - CRI80 3000-6000K (Neutral White)</b>													
2023650	Optix Recessed 625x625 3L TW ALU DALI	30	3,400	113	3,000-6,000	600	80	38	621	IP20	IK07	16	100,000
2023652	Optix Recessed 625x625 3L TW WHT DALI	30	3,600	120	3,000-6,000	600	80	38	621	IP20	IK07	19	100,000
2023651	Optix Recessed 625x625 3L TW ALU SSC01	31	3,400	110	3,000-6,000	600	80	38	621	IP20	IK07	16	100,000
2023653	Optix Recessed 625x625 3L TW WHT SSC01	31	3,600	116	3,000-6,000	600	80	38	621	IP20	IK07	19	100,000
<b>1200 x 300mm - Medium Output - CRI80 3000K (Warm White)</b>													
2023654	Optix Recessed 1200X300 1L 3000K ALU	26	3,200	123	3,000	500	80	38	1196	IP20	IK07	16	100,000
2023655	Optix Recessed 1200X300 1L 3000K ALU DALI	26	3,200	123	3,000	250	80	38	1196	IP20	IK07	16	100,000
2023660	Optix Recessed 1200x300 2L 3000K ALU	26	3,250	125	3,000	500	80	38	1196	IP20	IK07	16	100,000
2023662	Optix Recessed 1200x300 2L 3000K WHT	26	3,550	137	3,000	500	80	38	1196	IP20	IK07	19	100,000
2023661	Optix Recessed 1200x300 2L 3000K ALU DALI	26	3,250	125	3,000	250	80	38	1196	IP20	IK07	16	100,000
2023663	Optix Recessed 1200x300 2L 3000K WHT DALI	26	3,550	137	3,000	250	80	38	1196	IP20	IK07	19	100,000
<b>1200 x 300mm - Medium Output - CRI80 4000K (Neutral White)</b>													
2023656	Optix Recessed 1200X300 1L 4000K ALU	27	3,400	126	4,000	500	80	38	1196	IP20	IK07	16	100,000
2023657	Optix Recessed 1200X300 1L 4000K ALU DALI	27	3,400	126	4,000	250	80	38	1196	IP20	IK07	16	100,000
2023659	Optix Recessed 1200X300 1L 4000K ALU EM	27	3,400	126	4,000	500	80	38	1196	IP20	IK07	16	100,000
2023658	Optix Recessed 1200X300 1L 4000K ALU DALI EM	27	3,400	126	4,000	250	80	38	1196	IP20	IK07	16	100,000
2023664	Optix Recessed 1200x300 2L 4000K ALU	26	3,600	138	4,000	500	80	38	1196	IP20	IK07	16	100,000
2023676	Optix Recessed 1200x300 2L 4000K WHT	24	3,450	144	4,000	500	80	38	1196	IP20	IK07	19	100,000
2023665	Optix Recessed 1200x300 2L 4000K ALU DALI	26	3,600	138	4,000	250	80	38	1196	IP20	IK07	16	100,000
2023677	Optix Recessed 1200x300 2L 4000K WHT DALI	24	3,450	144	4,000	250	80	38	1196	IP20	IK07	19	100,000
2023669	Optix Recessed 1200x300 2L 4000K ALU SSC	27	3,600	133	4,000	250	80	38	1196	IP20	IK07	16	100,000
2023681	Optix Recessed 1200x300 2L 4000K WHT SSC	25	3,450	138	4,000	250	80	38	1196	IP20	IK07	19	100,000
2023668	Optix Recessed 1200x300 2L 4000K ALU SSA01	27	3,600	133	4,000	250	80	38	1196	IP20	IK07	16	100,000
2023680	Optix Recessed 1200x300 2L 4000K WHT SSA01	25	3,500	140	4,000	250	80	38	1196	IP20	IK07	19	100,000
2023667	Optix Recessed 1200x300 2L 4000K ALU EM	26	3,600	138	4,000	500	80	38	1196	IP20	IK07	16	100,000
2023679	Optix Recessed 1200x300 2L 4000K WHT EM	24	3,450	144	4,000	500	80	38	1196	IP20	IK07	19	100,000
2023666	Optix Recessed 1200x300 2L 4000K ALU DALI EM	26	3,600	138	4,000	250	80	38	1196	IP20	IK07	16	100,000
2023678	Optix Recessed 1200x300 2L 4000K WHT DALI EM	24	3,450	144	4,000	250	80	38	1196	IP20	IK07	19	100,000
<b>1200 x 300mm - Medium Output - CRI90 4000K (Neutral White)</b>													
2023670	Optix Recessed 1200x300 2L 4000K C9 ALU	28	3,500	125	4,000	550	90	38	1196	IP20	IK07	16	100,000
2023673	Optix Recessed 1200x300 2L 4000K C9 WHT	25	3,500	140	4,000	500	90	38	1196	IP20	IK07	19	100,000
2023671	Optix Recessed 1200x300 2L 4000K C9 ALU DALI	28	3,500	125	4,000	275	90	38	1196	IP20	IK07	16	100,000
2023674	Optix Recessed 1200x300 2L 4000K C9 WHT DALI	25	3,500	140	4,000	250	90	38	1196	IP20	IK07	19	100,000
2023672	Optix Recessed 1200x300 2L 4000K C9 ALU EM	28	3,500	125	4,000	550	90	38	1196	IP20	IK07	16	100,000
2023675	Optix Recessed 1200x300 2L 4000K C9 WHT EM	25	3,500	140	4,000	500	90	38	1196	IP20	IK07	19	100,000

Code	Description	Total System power consumption (W)	Lumen output (lm)	Efficacy (lm/W)	Colour temperature (K)	Drive current (mA)	CRI	Height (mm)	Length (mm)	IP rating	IK rating	UGR	Lifespan L80B20 (hours)
<b>1200 x 300mm - Medium Output - CRI80 3000-6000K (Neutral White)</b>													
2023682	Optix Recessed 1200x300 2L TW ALU DALI	30	3,200	107	3,000-6,000	600	80	38	1196	IP20	IK07	16	100,000
2023684	Optix Recessed 1200x300 2L TW WHT DALI	30	3,600	120	3,000-6,000	600	80	38	1196	IP20	IK07	19	100,000
2023683	Optix Recessed 1200x300 2L TW ALU SSC01	31	3,200	103	3,000-6,000	600	80	38	1196	IP20	IK07	16	100,000
2023685	Optix Recessed 1200x300 2L TW WHT SSC01	31	3,600	116	3,000-6,000	600	80	38	1196	IP20	IK07	19	100,000
<b>1200 x 300mm - Medium Output - LumiNature 4000K (Neutral White)</b>													
2023837	Optix Recessed 1200X300 2L LUMI 4K ALU	36	3,810	106	4,000	250	98	38	1196	IP20	IK07	16	100,000
2023838	Optix Recessed 1200X300 2L LUMI 4K ALU DALI	36	3,810	106	4,000	250	98	38	1196	IP20	IK07	16	100,000
2023839	Optix Recessed 1200X300 2L LUMI 4K ALU SSC	37	3,810	103	4,000	250	98	38	1196	IP20	IK07	16	100,000
2023864	Optix Recessed 1200X300 2L LUMI 4K ALU SSA	37	3,810	103	4,000	250	98	38	1196	IP20	IK07	16	100,000
<b>1200 x 300mm - Medium Output - LumiNature 2800-6200K (Tunable White)</b>													
2023840	Optix Recessed 1200X300 2L LUMI HCL TW ALU DALI	36	3,500	97	2,800-6,200	480	95	38	1196	IP20	IK07	16	100,000
2023841	Optix Recessed 1200X300 2L LUMI HCL TW ALU SSC	37	3,500	95	2,800-6,200	480	95	38	1196	IP20	IK07	16	100,000
<b>1250 x 310mm - Medium Output - CRI80 4000K (Neutral White)</b>													
2023686	Optix Recessed 1250x310 2L 4000K ALU	26	3,600	138	4,000	500	80	38	1246	IP20	IK07	16	100,000
2023691	Optix Recessed 1250x310 2L 4000K WHT	24	3,450	144	4,000	500	80	38	1246	IP20	IK07	19	100,000
2023687	Optix Recessed 1250x310 2L 4000K ALU DALI	26	3,600	138	4,000	250	80	38	1246	IP20	IK07	16	100,000
2023692	Optix Recessed 1250x310 2L 4000K WHT DALI	24	3,450	144	4,000	250	80	38	1246	IP20	IK07	19	100,000
2023690	Optix Recessed 1250x310 2L 4000K ALU SSC	27	3,600	133	4,000	250	80	38	1246	IP20	IK07	16	100,000
2023695	Optix Recessed 1250x310 2L 4000K WHT SSC	25	3,450	138	4,000	250	80	38	1246	IP20	IK07	19	100,000
2023689	Optix Recessed 1250x310 2L 4000K ALU SSA01	27	3,600	133	4,000	250	80	38	1246	IP20	IK07	16	100,000
2023694	Optix Recessed 1250x310 2L 4000K WHT SSA01	25	3,500	140	4,000	250	80	38	1246	IP20	IK07	19	100,000
2023688	Optix Recessed 1250x310 2L 4000K ALU EMCB	26	3,600	138	4,000	500	80	38	1246	IP20	IK07	16	100,000
2023693	Optix Recessed 1250x310 2L 4000K WHT EMCB	24	3,450	144	4,000	500	80	38	1246	IP20	IK07	19	100,000
<b>1250 x 310mm - Medium Output - CRI80 3000-6000K (Neutral White)</b>													
2023696	Optix Recessed 1250X310 2L TW ALU DALI	30	3,200	107	3,000-6,000	600	80	38	1246	IP20	IK07	16	100,000
2023698	Optix Recessed 1250X310 2L TW WHT DALI	30	3,600	120	3,000-6,000	600	80	38	1246	IP20	IK07	19	100,000
2023697	Optix Recessed 1250X310 2L TW ALU SSC01	31	3,200	103	3,000-6,000	600	80	38	1246	IP20	IK07	16	100,000
2023699	Optix Recessed 1250X310 2L TW WHT SSC01	31	3,600	116	3,000-6,000	600	80	38	1246	IP20	IK07	19	100,000
<b>Accessories</b>													
2021710	OPTIX R PULL UP KIT												
2021711	OPTIX R SURFACE MOUNT KIT 600X600												
0047416	PLASTERBOARD CEILING FRAME 600X600												
0047418	PLASTERBOARD CEILING FRAME 1200X300												

## Optix Surface

### Product information

Code	Description	Total System power consumption (W)	Lumen output (lm)	Efficacy (lm/W)	Colour temperature (K)	Drive current (mA)	CRI	Height (mm)	Length (mm)	IP rating	IK rating	UGR	Lifespan L80B20 (hours)
<b>1200 x 200mm - Medium Output - Direct - CRI80 4000K (Neutral White)</b>													
2023704	Optix S 1200x200 2 LINE 4000K ALU	26	3,600	138	4,000	500	80	45	1129	IP20	IK07	16	100,000
2023714	Optix S 1200x200 2 LINE 4000K WHT	23	3,600	157	4,000	500	80	45	1129	IP20	IK07	19	100,000
2023705	Optix S 1200x200 2 LINE 4000K ALU DALI	26	3,600	138	4,000	250	80	45	1129	IP20	IK07	16	100,000
2023715	Optix S 1200x200 2 LINE 4000K WHT DALI	23	3,600	157	4,000	250	80	45	1129	IP20	IK07	19	100,000
2023709	Optix S 1200x200 2 LINE 4000K ALU SSC	27	3600	133	4000	250	80	45	1129	IP20	IK07	16	100,000
2023719	Optix S 1200x200 2 LINE 4000K WHT SSC	24	3,600	150	4,000	250	80	45	1129	IP20	IK07	19	100,000
2023708	Optix S 1200x200 2 LINE 4000K ALU SSA01	27	3,600	133	4,000	250	80	45	1129	IP20	IK07	16	100,000
2023718	Optix S 1200x200 2 LINE 4000K WHT SSA01	24	3,600	150	4,000	255	80	45	1129	IP20	IK07	19	100,000
2023707	Optix S 1200x200 2 LINE 4000K ALU EM	29	3,600	124	4,000	500	80	45	1129	IP20	IK07	16	100,000
2023717	Optix S 1200x200 2 LINE 4000K WHT EM	26	3600	138	4000	500	80	45	1129	IP20	IK07	19	100,000
2023706	Optix S 1200x200 2 LINE 4000K ALU DALI EM	29	3,600	124	4,000	250	80	45	1129	IP20	IK07	16	100,000
2023716	Optix S 1200x200 2 LINE 4000K WHT DALI EM	26	3,600	138	4,000	250	80	45	1129	IP20	IK07	19	100,000
<b>1200 x 200mm - Medium Output - Direct - CRI90 4000K (Neutral White)</b>													
2023710	Optix S 1200x200 2 LINE 4000K C9 ALU DALI	29	3,700	128	4,000	300	90	45	1129	IP20	IK07	16	100,000
2023712	Optix S 1200x200 2 LINE 4000K C9 WHT DALI	27	3,700	137	4,000	275	90	45	1129	IP20	IK07	19	100,000
2023711	Optix S 1200x200 2 LINE 4000K C9 ALU DALI EM	32	3,700	116	4,000	225	90	45	1129	IP20	IK07	16	100,000
2023713	Optix S 1200x200 2 LINE 4000K C9 WHT DALI EM	30	3,700	123	4,000	275	90	45	1129	IP20	IK07	19	100,000
<b>1200 x 200mm - Medium Output - Direct - CRI80 3000-6000K (Neutral White)</b>													
2023764	Optix S 1200x200 2 LINE TW ALU DALI	30	3,200	107	3,000-6,000	600	80	45	1129	IP20	IK07	16	100,000
2023768	Optix S 1200x200 2 LINE TW WHT DALI	30	3,600	120	3,000-6,000	600	80	45	1129	IP20	IK07	19	100,000
2023766	Optix S 1200x200 2 LINE TW ALU SSC	31	3,200	103	3,000-6,000	600	80	45	1129	IP20	IK07	16	100,000
2023770	Optix S 1200x200 2 LINE TW WHT SSC	31	3,600	116	3,000-6,000	600	80	45	1129	IP20	IK07	19	100,000
2023765	Optix S 1200x200 2 LINE TW ALU DALI EM	33	3,200	97	3,000-6,000	600	80	45	1129	IP20	IK07	16	100,000
2023769	Optix S 1200x200 2 LINE TW WHT DALI EM	33	3,600	109	3,000-6,000	600	80	45	1129	IP20	IK07	19	100,000
2023767	Optix S 1200x200 2 LINE TW ALU SSC EM	34	3,200	94	3,000-6,000	600	80	45	1129	IP20	IK07	16	100,000
2023771	Optix S 1200x200 2 LINE TW WHT SSC EM	34	3,600	106	3,000-6,000	600	80	45	1129	IP20	IK07	19	100,000
<b>1200 x 200mm - Medium Output - Direct - LumiNature 4000K (Neutral White)</b>													
2023827	Optix S 1200x200 2 LINE LUMI 4K ALU	36	3,810	106	4,000	250	98	45	1129	IP20	IK07	16	100,000
2023828	Optix S 1200x200 2 LINE LUMI 4K ALU DALI	36	3,810	106	4,000	250	98	45	1129	IP20	IK07	16	100,000
2023829	Optix S 1200x200 2 LINE LUMI 4K ALU SSC	37	3,810	103	4,000	250	98	45	1129	IP20	IK07	16	100,000
2023862	Optix S 1200x200 2 LINE LUMI 4K ALU SSA	37	3,810	103	4,000	250	98	45	1129	IP20	IK07	16	100,000
<b>1200 x 200mm - Medium Output - Direct - LumiNature 2800-6200K (Tunable White)</b>													
2023830	Optix S 1200x200 2 LINE LUMI HCL TW ALU DALI	36	3,500	97	2,800-6,200	480	95	45	1129	IP20	IK07	16	100,000
2023831	Optix S 1200x200 2 LINE LUMI HCL TW ALU SSC	37	3,500	95	2,800-6,200	480	95	45	1129	IP20	IK07	16	100,000
<b>1200 x 200mm - Medium Output - Direct/Indirect - CRI80 3000K (Warm White)</b>													
2023720	Optix S 1200x200 2 LINE D/I 3000K ALU	29	4,000	138	3,000	600	80	45	1129	IP20	IK07	16	100,000
2023722	Optix S 1200x200 2 LINE D/I 3000K WHT	29	4,000	138	3,000	500	80	45	1129	IP20	IK07	19	100,000
2023721	Optix S 1200x200 2 LINE D/I 3000K ALU DALI	29	4,000	138	3,000	600	80	45	1129	IP20	IK07	16	100,000
2023723	Optix S 1200x200 2 LINE D/I 3000K WHT DALI	29	4,000	138	3,000	500	80	45	1129	IP20	IK07	19	100,000
<b>1200 x 200mm - Medium Output - Direct/Indirect - CRI80 4000K (Neutral White)</b>													
2023724	Optix S 1200x200 2 LINE D/I 4000K ALU	29	4,100	141	4,000	550	80	45	1129	IP20	IK07	16	100,000
2023734	Optix S 1200x200 2 LINE D/I 4000K WHT	25	4,100	164	4,000	500	80	45	1129	IP20	IK07	19	100,000
2023725	Optix S 1200x200 2 LINE D/I 4000K ALU DALI	29	4,100	141	4,000	550	80	45	1129	IP20	IK07	16	100,000
2023735	Optix S 1200x200 2 LINE D/I 4000K WHT DALI	25	4100	164	4000	500	80	45	1129	IP20	IK07	19	100,000
2023729	Optix S 1200x200 2 LINE D/I 4000K ALU SSC	30	4,100	137	4,000	550	80	45	1129	IP20	IK07	16	100,000
2023739	Optix S 1200x200 2 LINE D/I 4000K WHT SSC	26	4,100	158	4,000	500	80	45	1129	IP20	IK07	19	100,000
2023728	Optix S 1200x200 2 LINE D/I 4000K ALU SSA01	30	4,100	137	4,000	180	80	45	1129	IP20	IK07	16	100,000

Code	Description	Total System power consumption (W)	Lumen output (lm)	Efficacy (lm/W)	Colour temperature (K)	Drive current (mA)	CRI	Height (mm)	Length (mm)	IP rating	IK rating	UGR	Lifespan L80B20 (hours)
2023738	Optix S 1200x200 2 LINE D/I 4000K WHT SSA01	26	4,100	158	4,000	170	80	45	1129	IP20	IK07	19	100,000
2023727	Optix S 1200x200 2 LINE D/I 4000K ALU EM	32	4,100	128	4,000	550	80	45	1129	IP20	IK07	16	100,000
2023737	Optix S 1200x200 2 LINE D/I 4000K WHT EM	28	4,100	146	4,000	500	80	45	1129	IP20	IK07	19	100,000
2023726	Optix S 1200x200 2 LINE D/I 4000K ALU DALI EM	32	4,100	128	4,000	550	80	45	1129	IP20	IK07	16	100,000
2023736	Optix S 1200x200 2 LINE D/I 4000K WHT DALI EM	28	4,100	146	4,000	500	80	45	1129	IP20	IK07	19	100,000
<b>1200 x 200mm - Medium Output - Direct/Indirect - CRI90 4000K (Neutral White)</b>													
2023730	Optix S 1200x200 2 LINE D/I 4000K C9 ALU DALI	32	4,100	128	4,000	650	90	45	1129	IP20	IK07	16	100,000
2023732	Optix S 1200x200 2 LINE D/I 4000K C9 WHT DALI	29	4,100	141	4,000	600	90	45	1129	IP20	IK07	19	100,000
2023731	Optix S 1200x200 2 LINE D/I 4000K C9 ALU DALI EM	35	4,100	117	4,000	650	90	45	1129	IP20	IK07	16	100,000
2023733	Optix S 1200x200 2 LINE D/I 4000K C9 WHT DALI EM	32	4100	128	4000	600	90	45	1129	IP20	IK07	19	100,000
<b>1200 x 200mm - Medium Output - Direct/Indirect - CRI80 3000-6000K (Neutral White)</b>													
2023756	Optix S 1200x200 2 LINE D/I TW ALU DALI	31	3,700	119	3,000-6,000	200	80	45	1129	IP20	IK07	16	100,000
2023760	Optix S 1200x200 2 LINE D/I TW WHT DALI	31	3,900	126	3,000-6,000	200	80	45	1129	IP20	IK07	19	100,000
2023758	Optix S 1200x200 2 LINE D/I TW ALU SSC	32	3,700	116	3,000-6,000	200	80	45	1129	IP20	IK07	16	100,000
2023762	Optix S 1200x200 2 LINE D/I TW WHT SSC	32	3,900	122	3,000-6,000	200	80	45	1129	IP20	IK07	19	100,000
2023757	Optix S 1200x200 2 LINE D/I TW ALU DALI EM	34	3,700	109	3,000-6,000	200	80	45	1129	IP20	IK07	16	100,000
2023761	Optix S 1200x200 2 LINE D/I TW WHT DALI EM	34	3,900	115	3,000-6,000	200	80	45	1129	IP20	IK07	19	100,000
2023759	Optix S 1200x200 2 LINE D/I TW ALU SSC EM	35	3,700	106	3,000-6,000	200	80	45	1129	IP20	IK07	16	100,000
2023763	Optix S 1200x200 2 LINE D/I TW WHT SSC EM	35	3900	111	3,000-6,000	200	80	45	1129	IP20	IK07	19	100,000
<b>1200 x 200mm - High Output - Direct/Indirect - CRI80 3000K (Warm White)</b>													
2023740	Optix S 1200x200 2 LINE D/I HO 3000K ALU	36	5,100	142	3,000	250	80	45	1129	IP20	IK07	16	100,000
2023742	Optix S 1200x200 2 LINE D/I HO 3000K WHT	33	5,100	155	3,000	700	80	45	1129	IP20	IK07	19	100,000
2023741	Optix S 1200x200 2 LINE D/I HO 3000K ALU DALI	36	5,100	142	3,000	750	80	45	1129	IP20	IK07	16	100,000
2023743	Optix S 1200x200 2 LINE D/I HO 3000K WHT DALI	33	5,100	155	3,000	700	80	45	1129	IP20	IK07	19	100,000
<b>1200 x 200mm - High Output - Direct/Indirect - CRI80 4000K (Neutral White)</b>													
2023744	Optix S 1200x200 2 LINE D/I HO 4000K ALU	36	5,600	156	4,000	250	80	45	1129	IP20	IK07	16	100,000
2023750	Optix S 1200x200 2 LINE D/I HO 4000K WHT	35	5,600	160	4,000	700	80	45	1129	IP20	IK07	19	100,000
2023745	Optix S 1200x200 2 LINE D/I HO 4000K ALU DALI	36	5,600	156	4,000	750	80	45	1129	IP20	IK07	16	100,000
2023751	Optix S 1200x200 2 LINE D/I HO 4000K WHT DALI	35	5,600	160	4,000	700	80	45	1129	IP20	IK07	19	100,000
2023749	Optix S 1200x200 2 LINE D/I HO 4000K ALU SSC	37	5,600	151	4,000	750	80	45	1129	IP20	IK07	16	100,000
2023755	Optix S 1200x200 2 LINE D/I HO 4000K WHT SSC	36	5,600	156	4,000	700	80	45	1129	IP20	IK07	19	100,000
2023748	Optix S 1200x200 2 LINE D/I HO 4000K ALU SSA01	37	5,600	151	4,000	250	80	45	1129	IP20	IK07	16	100,000
2023754	Optix S 1200x200 2 LINE D/I HO 4000K WHT SSA01	36	5,600	156	4,000	230	80	45	1129	IP20	IK07	19	100,000
2023747	Optix S 1200x200 2 LINE D/I HO 4000K ALU EM	39	5,600	144	4,000	250	80	45	1129	IP20	IK07	16	100,000
2023753	Optix S 1200x200 2 LINE D/I HO 4000K WHT EM	38	5,600	147	4,000	700	80	45	1129	IP20	IK07	19	100,000
2023746	Optix S 1200x200 2 LINE D/I HO 4000K ALU DALI EM	39	5600	144	4000	750	80	45	1129	IP20	IK07	16	100,000
2023752	Optix S 1200x200 2 LINE D/I HO 4000K WHT DALI EM	38	5,600	147	4,000	700	80	45	1129	IP20	IK07	19	100,000
<b>1500 x 200mm - High Output - Direct/Indirect - CRI80 4000K (Neutral White)</b>													
2023772	Optix S 1500x200 2 LINE D/I HO 4000K ALU DALI	45	7,000	156	4,000	950	80	45	1410	IP20	IK07	16	100,000
2023777	Optix S 1500x200 2 LINE D/I HO 4000K WHT DALI	44	7,000	159	4,000	850	80	45	1410	IP20	IK07	19	100,000
2023776</													

Optix Surface - Accessories	
Code	Description
<b>Mechanical accessories</b>	
2021712	OPTIX S PLASTIC JOINING KIT
2021713	OPTIX S 2L INFILL 600MM
2021714	OPTIX S 2L INFILL 900MM
2021715	OPTIX S 2L INFILL 1200MM
2021716	OPTIX S 2L INFILL 1500MM
5054686	UNIVERSAL SUSPENSION KIT 1.5M
<b>Suspension with electrical connections</b>	
5050568	RANA ACC FULL SUSP + POWER 3CORE SET 1W
5050571	RANA ACC FULL SUSP + POWER 5CORE SET 2W
5050574	RANA ACC FULL SUSP + POWER 3CORE SET 1T
5050577	RANA ACC FULL SUSP + POWER 5CORE SET 2T
5050604	RANA ACC CEILING ROSE
<b>Through wiring accessories</b>	
2021721	OPTIX LIN ACC THROUGH WIRE 3X1,5MM2
2021722	OPTIX LIN ACC THROUGH WIRE 4X1,5MM2
2021723	OPTIX LIN ACC THR WIRE 3X1,5+2X0,5MM2
2021724	OPTIX LIN ACC THR WIRE 2X0,5+2X0,5MM2
2021727	OPTIX LIN ACC THR WRE 3X1,5 1500MM
2021728	OPTIX LIN ACC THR WRE 4X1,5 1500MM
2021729	OPTIX LIN ACC THR WRE 3X1,5+2X0,5 1500MM
2021730	OPTIX LIN ACC THR WRE 2X0,5+2X0,5 1500MM

## Optix Recessed Asymmetric Product information

Product overview on page 18

Code	Description	Total System power consumption (W)	Lumen output (lm)	Efficacy (lm/W)	Colour temperature (K)	Drive current (mA)	CRI	Height (mm)	Length (mm)	IP rating	IK rating	Lifespan L70B50 (hours)
<b>Recessed Asymmetric - 1200mm - CRI80 3000K (Warm White)</b>												
2021682	OPTIX R 1200 ASYMMETRIC 3K White	30	3,380	113	3,000	300	80	52	1,196	20	IK07	100000
2021683	OPTIX R 1200 ASYMMETRIC 3K DALI White	30	3,380	113	3,000	300	80	52	1,196	20	IK07	100000
2021684	OPTIX R 1200 ASYMMETRIC 3K SSC White	31	3,380	109	3,000	300	80	52	1,196	20	IK07	100000
<b>Recessed Asymmetric - 1200mm - CRI80 4000K (Neutral White)</b>												
2021685	OPTIX R 1200 ASYMMETRIC 4K White	30	3,480	116	4,000	300	80	52	1,196	20	IK07	100000
2021686	OPTIX R 1200 ASYMMETRIC 4K DALI White	30	3,480	116	4,000	300	80	52	1,196	20	IK07	100000
2021687	OPTIX R 1200 ASYMMETRIC 4K SSC White	31	3,480	112	4,000	300	80	52	1,196	20	IK07	100000

## Optix Surface Asym Product information

Product overview on page 19

Code	Description	Total System power consumption (W)	Lumen output (lm)	Efficacy (lm/W)	Colour temperature (K)	Drive current (mA)	CRI	Height (mm)	Length (mm)	IP rating	IK rating	Lifespan L70B50 (hours)
<b>Surface &amp; Suspended Asymmetric - 1200mm - CRI80 3000K (Warm White)</b>												
2021676	Optix S 1200 ASYMMETRIC 3000K	30	3,380	113	3,000	300	80	50	1,200	IP20	IK07	100000
2021677	Optix S 1200 ASYMMETRIC 3000K DALI	30	3,380	113	3,000	300	80	50	1,200	IP20	IK07	100000
2021678	Optix S 1200 ASYMMETRIC 3000K SSC	31	3,380	109	3,000	300	80	50	1,200	IP20	IK07	100000

Code	Description	Total System power consumption (W)	Lumen output (lm)	Efficacy (lm/W)	Colour temperature (K)	Drive current (mA)	CRI	Height (mm)	Length (mm)	IP rating	IK rating	Lifespan L70B50 (hours)
<b>Surface &amp; Suspended Asymmetric - 1200mm - CRI80 4000K (Neutral White)</b>												
2021679	Optix S 1200 ASYMMETRIC 4000K	30	3,480	116	4,000	300	80	50	1,200	IP20	IK07	100000
2021680	Optix S 1200 ASYMMETRIC 4000K DALI	30	3,480	116	4,000	300	80	50	1,200	IP20	IK07	100000
2021681	Optix S 1200 ASYMMETRIC 4000K SSC	31	3,480	112	4,000	300	80	50	1,200	IP20	IK07	100000
<b>Surface &amp; Suspended Asymmetric - 1500mm - CRI80 4000K (Neutral White)</b>												
2021734	Optix S 1500 ASYMMETRIC 4000K	37	4,250	115	4,000	300	80	50	1,480	IP20	IK07	100000
2021735	Optix S 1500 ASYMMETRIC 4000K DALI	37	4,250	115	4,000	300	80	50	1,480	IP20	IK07	100000
2021736	Optix S 1500 ASYMMETRIC 4000K SSC	38	4,250	112	4,000	300	80	50	1,480	IP20	IK07	100000

Accessories	
Code	Product Description
<b>Mechanical accessories</b>	
2021712	OPTIX S PLASTIC JOINING KIT
5054686	UNIVERSAL SUSPENSION KIT 1.5M
2021713	OPTIX S 2L INFILL 600mm
2021714	OPTIX S 2L INFILL 900mm
2021715	OPTIX S 2L INFILL 1200mm
2021716	OPTIX S 2L INFILL 1500mm
0044100	WALL BRACKETS
<b>Suspension with electrical connections</b>	
5050568	RANA ACC FULL SUSP + POWER 3CORE SET 1W
5050571	RANA ACC FULL SUSP + POWER 5CORE SET 2W
5050574	RANA ACC FULL SUSP + POWER 3CORE SET 1T
5050577	RANA ACC FULL SUSP + POWER 5CORE SET 2T
5050604	RANA ACC CEILING ROSE
<b>Through wiring accessories</b>	
2021721	OPTIX LIN ACC THROUGH WIRE 3X1,5MM2
2021722	OPTIX LIN ACC THROUGH WIRE 4X1,5MM2

## Optix 4cells

Product information

Product overview on page 20

Code	Description	Total System power consumption (W)	Lumen output (lm)	Efficacy (lm/W)	Colour temperature (K)	Drive current (mA)	Height (mm)	Length (mm)	CRI	UGR	IP rating	IK rating	Lifespan L80B20 (hours)	Dimmable
<b>CRI80 3000K (Warm White)</b>														
2021690	Optix Recessed 4 Cells 3000K WHT	9	1,059	118	3,000	150	45	310	80	22	IP20	IK07	100,000	No
2021688	Optix Recessed 4 Cells 3000K ALU	9	962	107	3,000	150	45	310	80	18	IP20	IK07	100,000	No
2021691	Optix Recessed 4 Cells 3000K WHT DALI	9	1,059	118	3,000	150	45	310	80	22	IP20	IK07	100,000	Yes
2021689	Optix Recessed 4 Cells 3000K ALU DALI	9	962	107	3,000	150	45	310	80	18	IP20	IK07	100,000	Yes
<b>CRI80 4000K (Neutral White)</b>														
2021694	Optix Recessed 4 Cells 4000K WHT	9	1,098	122	4,000	150	45	310	80	22	IP20	IK07	100,000	No
2021692	Optix Recessed 4 Cells 4000K ALU	9	1,010	112	4,000	150	45	310	80	18	IP20	IK07	100,000	No
2021695	Optix Recessed 4 Cells 4000K WHT DALI	9	1,098	122	4,000	150	45	310	80	22	IP20	IK07	100,000	Yes
2021693	Optix Recessed 4 Cells 4000K ALU DALI	9	1,010	112	4,000	150	45	310	80	18	IP20	IK07	100,000	Yes



Product information

Product overview on page 21

Code	Description	Total System power consumption (W)	Lumen output (lm)	Efficacy (lm/W)	Colour temperature (K)	Drive current (mA)	CRI	Height (mm)	Length (mm)	IP rating	IK rating	UGR	Lifespan L80B20 (hours)
<b>MPO 1200mm - Standard Output - Direct - CRI80 4000K (Neutral White)</b>													
2021672	Optix S 1200 MPO D 4000K	23	2,863	124	4,000	225	80	50	1200	IP20	IK07	19	100,000
2021673	Optix S 1200 MPO D 4000K EM	26	2,863	110	4,000	225	80	50	1200	IP20	IK07	19	100,000
2021674	Optix S 1200 MPO D 4000K DALI	24	2,863	119	4,000	225	80	50	1200	IP20	IK07	19	100,000
2021675	Optix S 1200 MPO D 4000K DALI EM	26	2,863	110	4,000	225	80	50	1200	IP20	IK07	19	100,000
<b>MPO 1200mm - High Output - Direct - CRI80 4000K (Neutral White)</b>													
2021664	Optix S 1200 MPO D HO 4000K	30	3,550	118	4,000	300	80	50	1200	IP20	IK07	20	100,000
2021665	Optix S 1200 MPO D HO 4000K EM	33	3,550	107	4,000	300	80	50	1200	IP20	IK07	20	100,000
2021666	Optix S 1200 MPO D HO 4000K DALI	31	3,550	114	4,000	300	80	50	1200	IP20	IK07	20	100,000
2021667	Optix S 1200 MPO D HO 4000K DALI EM	33	3,550	107	4,000	300	80	50	1200	IP20	IK07	20	100,000
<b>MPO 1500mm - Direct - CRI80 4000K (Neutral White)</b>													
2021702	Optix S 1500 MPO D 4K	36	4,350	121	4,000	225	80	50	1,500	IP20	IK07	19	100,000
2021703	Optix S 1500 MPO D 4K EM	38	4,350	114	4,000	225	80	50	1,500	IP20	IK07	19	100,000
2021704	Optix S 1500 MPO D 4K DA	36	4,350	121	4,000	225	80	50	1,500	IP20	IK07	19	100,000
2021705	Optix S 1500 MPO D 4K DA EM	38	4,350	114	4,000	225	80	50	1,500	IP20	IK07	19	100,000
2021706	Optix S 1500 MPO D 4K SSC	37	4350	118	4000	300	80	50	1500	IP20	IK07	20	100,000
2021707	Optix S 1500 MPO D 4K SSA	37	4,350	118	4,000	300	80	50	1,500	IP20	IK07	20	100,000
<b>MPO 1200mm - Standard Output - Direct/Indirect - CRI80 4000K (Neutral White)</b>													
2021668	Optix S 1200 MPO D/I 4000K	36	4,900	136	4,000	250	80	50	1200	IP20	IK07	19	100,000
2021669	Optix S 1200 MPO D/I 4000K EM	39	4,900	125	4,000	250	80	50	1200	IP20	IK07	19	100,000
2021670	Optix S 1200 MPO D/I 4000K DALI	37	4,900	132	4,000	250	80	50	1200	IP20	IK07	19	100,000
2021671	Optix S 1200 MPO D/I 4000K DALI EM	39	4,900	125	4,000	250	80	50	1200	IP20	IK07	19	100,000
<b>MPO 1200mm - High Output - Direct/Indirect - CRI80 4000K (Neutral White)</b>													
2021660	Optix S 1200 MPO D/I HO 4000K	44	5,770	131	4,000	300	80	50	1200	IP20	IK07	19	100,000
2021661	Optix S 1200 MPO D/I HO 4000K EM	47	5,770	122	4,000	300	80	50	1200	IP20	IK07	19	100,000
2021662	Optix S 1200 MPO D/I HO 4000K DALI	45	5,770	128	4,000	300	80	50	1200	IP20	IK07	19	100,000
2021663	Optix S 1200 MPO D/I HO 4000K DALI EM	47	5,770	122	4,000	300	80	50	1200	IP20	IK07	19	100,000
Code	Description	Total System power consumption (W)	Lumen output (lm)	Efficacy (lm/W)	Colour temperature (K)	Drive current (mA)	CRI	Height (mm)	Length (mm)	IP rating	IK rating	UGR	Lifespan L80B20 (hours)
<b>MPO 1500mm - Direct/Indirect - CRI80 4000K (Neutral White)</b>													
2021696	Optix S 1500 MPO D/I 4K	49	6,650	136	4,000	225	80	50	1,500	IP20	IK07	19	100,000
2021697	Optix S 1500 MPO D/I 4K EM	51	6,650	130	4,000	225	80	50	1,500	IP20	IK07	19	100,000
2021698	Optix S 1500 MPO D/I 4K DA	49	6,650	136	4,000	225	80	50	1,500	IP20	IK07	19	100,000
2021699	Optix S 1500 MPO D/I 4K DA EM	51	6,650	130	4,000	225	80	50	1,500	IP20	IK07	19	100,000
2021700	Optix S 1500 MPO D/I 4K SSC	50	6,650	133	4,000	300	80	50	1,500	IP20	IK07	20	100,000
2021701	Optix S 1500 MPO D/I 4K SSA	50	6,650	133	4,000	300	80	50	1,500	IP20	IK07	20	100,000

Accessories

Code	Product Description
<b>Mechanical accessories</b>	
2021712	OPTIX S PLASTIC JOINING KIT
5054686	UNIVERSAL SUSPENSION KIT 1.5M
2021713	OPTIX S 2L INFILL 600mm
2021714	OPTIX S 2L INFILL 900mm
2021715	OPTIX S 2L INFILL 1200mm
2021716	OPTIX S 2L INFILL 1500mm

<b>Optix MPO - Accessories</b>													
Code	Product Description	Total System power consumption (W)	Lumen output (lm)	Efficacy (lm/W)	Colour temperature (K)	Drive current (mA)	CRI	Height (mm)	Length (mm)	IP rating	IK rating	UGR	Lifespan L80B20 (hours)
<b>Suspension with electrical connections</b>													
5050568	RANA ACC FULL SUSP + POWER 3CORE SET 1W												
5050571	RANA ACC FULL SUSP + POWER 5CORE SET 2W												
5050574	RANA ACC FULL SUSP + POWER 3CORE SET 1T												
5050577	RANA ACC FULL SUSP + POWER 5CORE SET 2T												
5050604	RANA ACC CEILING ROSE												
<b>Through wiring accessories</b>													
2021721	OPTIX LIN ACC THROUGH WIRE 3X1,5MM2												
2021722	OPTIX LIN ACC THROUGH WIRE 4X1,5MM2												
2021723	OPTIX LIN ACC THR WIRE 3X1,5+2X0,5MM2												
2021724	OPTIX LIN ACC THR WIRE 2X0,5+2X0,5MM2												
2021727	OPTIX LIN ACC THR WRE 3X1,5 1500MM												
2021728	OPTIX LIN ACC THR WRE 4X1,5 1500MM												
2021729	OPTIX LIN ACC THR WRE 3X1,5+2X0,5 1500MM												
2021730	OPTIX LIN ACC THR WRE 2X0,5+2X0,5 1500MM												

Product information

Product overview on page 22

Code	Description	Total System power consumption (W)	Lumen output (lm)	Efficacy (lm/W)	Colour temperature (K)	Drive current (mA)	CRI	Height (mm)	Length (mm)	IP rating	IK rating	UGR	Lifespan L80B20 (hours)
<b>1200 x 90mm - CRI80 3000K (Warm White)</b>													
2023782	Optix Linear Recessed 1200 3000K ALU	26	3,200	123	3,000	500	80	90	1146	IP20	IK07	19	100,000
2023783	Optix Linear Recessed 1200 3000K ALU DALI	26	3,200	123	3,000	250	80	90	1146	IP20	IK07	19	100,000
<b>1200 x 90mm - CRI80 4000K (Neutral White)</b>													
2023784	Optix Linear Recessed 1200 4000K ALU	26	3,400	131	4,000	500	80	90	1146	IP20	IK07	19	100,000
2023785	Optix Linear Recessed 1200 4000K ALU DALI	26	3,400	131	4,000	250	80	90	1146	IP20	IK07	19	100,000
2023789	Optix Linear Recessed 1200 4000K ALU SSC	27	3,400	126	4,000	500	80	90	1146	IP20	IK07	19	100,000
2023788	Optix Linear Recessed 1200 4000K ALU SSA01	27	3,400	126	4,000	250	80	90	1178	IP20	IK07	19	100,000
2023787	Optix Linear Recessed 1200 4000K ALU EM	28	3,400	121	4,000	500	80	90	1169	IP20	IK07	19	100,000
2023786	Optix Linear Recessed 1200 4000K ALU DALI EM	28	3,400	121	4,000	250	80	90	1169	IP20	IK07	19	100,000
2023790	Optix Linear Recessed 1200 4000K ALU SSC EM	29	3,400	117	4,000	500	80	90	1169	IP20	IK07	19	100,000
<b>1200 x 90mm - CRI90 4000K (Neutral White)</b>													
2023791	Optix Linear Recessed 1200 4000K C9 ALU DALI	30	3,650	122	4,000	300	90	90	1146	IP20	IK07	19	100,000
2023792	Optix Linear Recessed 1200 4000K C9 ALU DALI EM	32	3650	114	4000	300	90	90	1169	IP20	IK07	19	100,000
<b>1200 x 90mm - CRI80 3000-6000K (Tunable White)</b>													
2023793	Optix Linear Recessed 1200 TW ALU DALI	21	2,200	105	3,000-6,000	400	80	90	1146	IP20	IK07	16	100,000
2023795	Optix Linear Recessed 1200 TW ALU SSC	22	2,200	105	3,000-6,000	400	80	90	1146	IP20	IK07	16	100,000
2023794	Optix Linear Recessed 1200 TW ALU DALI EM	24	2,200	92	3,000-6,000	400	80	90	1169	IP20	IK07	16	100,000
2023796	Optix Linear Recessed 1200 TW ALU SSC EM	25	2,200	88	3,000-6,000	400	80	90	1169	IP20	IK07	16	100,000
<b>1200 x 90mm - LumiNature 4000K (Neutral White)</b>													
2023847	Optix Linear Recessed 1200 LUMI 4K ALU	30	2,870	96	4,000	200	98	90	1146	IP20	IK07	19	100,000
2023848	Optix Linear Recessed 1200 LUMI 4K ALU DALI	30	2,870	96	4,000	200	98	90	1146	IP20	IK07	19	100,000
2023849	Optix Linear Recessed 1200 LUMI 4K ALU SSC	31	2,870	93	4,000	200	98	90	1146	IP20	IK07	19	100,000
2023866	Optix Linear Recessed 1200 LUMI 4K ALU SSA	31	2,870	93	4,000	200	98	90	1146	IP20	IK07	19	100,000
<b>1200 x 90mm - LumiNature 2800-6200K (Tunable White)</b>													
2023850	Optix Linear Recessed 1200 LUMI HCL TW ALU DA	26	2,200	85	2,800-6,200	165	95	90	1146	IP20	IK07	16	100,000
2023851	Optix Linear Recessed 1200 LUMI HCL TW ALU SSC	27	2,200	82	2,800-6,200	165	95	90	1146	IP20	IK07	16	100,000

Optix Linear Recessed - Accessories	
Code	Description
<b>Mechanical Accessories</b>	
2021717	OPTIX LIN R ACC BRACKET 1-20MM X1
2021718	OPTIX LIN R ACC BRACKET 1-20MM X5
2021719	OPTIX LIN R ACC BRACKET 21-40MM X1
2021720	OPTIX LIN R ACC BRACKET 21-40MM X5
2021725	OPTIX LIN R ACC U JOINER KIT
<b>Through Wiring Accessories</b>	
2021721	OPTIX LIN ACC THROUGH WIRE 3X1,5MM2
2021722	OPTIX LIN ACC THROUGH WIRE 4X1,5MM2
2021723	OPTIX LIN ACC THR WIRE 3X1,5+2X0,5MM2
2021724	OPTIX LIN ACC THR WIRE 2X0,5+2X0,5MM2

# Optix Linear Surface

## Product information

## Product overview on page 23

Code	Description	Total System power consumption (W)	Lumen output (lm)	Efficacy (lm/W)	Colour temperature (K)	Drive current (mA)	CRI	Height (mm)	Length (mm)	IP rating	IK rating	UGR	Lifespan L80B20 (hours)
<b>1200 x 90mm - Direct - CRI80 4000K (Warm White)</b>													
2023797	Optix Linear Surface 1200 3000K ALU	27	3,200	119	4,000	500	80	80	1129	IP20	IK07	19	100,000
2023798	Optix Linear Surface 1200 3000K ALU DALI	27	3,200	119	4,000	250	80	80	1129	IP20	IK07	19	100,000
<b>1200 x 90mm - Direct - CRI80 4000K (Neutral White)</b>													
2023799	Optix Linear Surface 1200 4000K ALU	26	3,400	131	4,000	500	80	80	1129	IP20	IK07	19	100,000
2023800	Optix Linear Surface 1200 4000K ALU DALI	26	3,400	131	4,000	250	80	80	1129	IP20	IK07	19	100,000
2023804	Optix Linear Surface 1200 4000K ALU SSC	27	3,400	126	4,000	250	80	80	1129	IP20	IK07	19	100,000
2023803	Optix Linear Surface 1200 4000K ALU SSA01	27	3,400	126	4,000	250	80	80	1165	IP20	IK07	19	100,000
2023802	Optix Linear Surface 1200 4000K ALU EM	29	3,400	117	4,000	500	80	80	1160	IP20	IK07	19	100,000
2023801	Optix Linear Surface 1200 4000K ALU DALI EM	29	3,400	117	4,000	250	80	80	1160	IP20	IK07	19	100,000
2023805	Optix Linear Surface 1200 4000K ALU SSC EM	30	3,400	113	4,000	250	80	80	1160	IP20	IK07	19	100,000
<b>1200 x 90mm - Direct - CRI90 4000K (Neutral White)</b>													
2023806	Optix Linear Surface 1200 4000K C9 ALU DALI	27	3,100	115	4,000	275	90	80	1129	IP20	IK07	19	100,000
2023807	Optix Linear Surface 1200 4000K C9 ALU DALI EM	30	3,100	103	4,000	275	90	80	1160	IP20	IK07	19	100,000
<b>1200 x 90mm - Direct - CRI80 3000-6000K (Tunable White)</b>													
2023823	Optix Linear Surface 1200 TW ALU DALI	21	2,200	105	3,000-6,000	400	80	80	1129	IP20	IK07	16	100,000
2023825	Optix Linear Surface 1200 TW ALU SSC	22	2,200	100	3,000-6,000	400	80	80	1129	IP20	IK07	16	100,000
2023824	Optix Linear Surface 1200 TW ALU DALI EM	24	2,200	92	3,000-6,000	400	80	80	1160	IP20	IK07	16	100,000
2023826	Optix Linear Surface 1200 TW ALU SSC EM	25	2,200	88	3,000-6,000	400	80	80	1160	IP20	IK07	16	100,000
<b>1200 x 90mm - Direct - LumiNature 4000K (Neutral White)</b>													
2023852	Optix Linear Surface 1200 LUMI 4K ALU	30	2,870	96	4,000	200	98	80	1129	IP20	IK07	19	100,000
2023853	Optix Linear Surface 1200 LUMI 4K ALU DALI	30	2,870	96	4,000	200	98	80	1129	IP20	IK07	19	100,000
2023854	Optix Linear Surface 1200 LUMI 4K ALU SSC	31	2,870	93	4,000	200	98	80	1129	IP20	IK07	19	100,000
2023867	Optix Linear Surface 1200 LUMI 4K ALU SSA	31	2,870	93	4,000	200	98	80	1129	IP20	IK07	19	100,000
<b>1200 x 90mm - Direct - LumiNature 2800-6200K (Tunable White)</b>													
2023855	Optix Linear Surface 1200 LUMI HCL TW ALU DALI	26	2,200	85	2,800-6,200	165	95	80	1129	IP20	IK07	16	100,000
2023856	Optix Linear Surface 1200 LUMI HCL TW ALU SSC	27	2,200	82	2,800-6,200	165	95	80	1129	IP20	IK07	16	100,000
<b>1200 x 90mm - Direct/Indirect - CRI80 4000K (Warm White)</b>													
2023808	Optix Linear Surface 1200 D/I 3000K ALU	31	4,200	135	4,000	600	80	80	1129	IP20	IK07	16	100,000
2023809	Optix Linear Surface 1200 D/I 3000K ALU DALI	31	4,200	135	4,000	200	80	80	1129	IP20	IK07	16	100,000

Code	Description	Total System power consumption (W)	Lumen output (lm)	Efficacy (lm/W)	Colour temperature (K)	Drive current (mA)	CRI	Height (mm)	Length (mm)	IP rating	IK rating	UGR	Lifespan L80B20 (hours)
<b>1200 x 90mm - Direct/Indirect - CRI80 4000K (Neutral White)</b>													
2023810	Optix Linear Surface 1200 D/I 4000K ALU	31	4,500	145	4,000	600	80	80	1129	IP20	IK07	16	100,000
2023811	Optix Linear Surface 1200 D/I 4000K ALU DALI	31	4,500	145	4,000	200	80	80	1129	IP20	IK07	16	100,000
2023815	Optix Linear Surface 1200 D/I 4000K ALU SSC	32	4,500	141	4,000	200	80	80	1129	IP20	IK07	16	100,000
2023814	Optix Linear Surface 1200 D/I 4000K ALU SSA01	32	4,500	141	4,000	200	80	80	1165	IP20	IK07	16	100,000
2023813	Optix Linear Surface 1200 D/I 4000K ALU EM	34	4,500	132	4,000	600	80	80	1160	IP20	IK07	16	100,000
2023812	Optix Linear Surface 1200 D/I 4000K ALU DALI EM	34	4,500	132	4,000	200	80	80	1160	IP20	IK07	16	100,000
2023816	Optix Linear Surface 1200 D/I 4000K ALU SSC EM	35	4,500	129	4,000	200	80	80	1160	IP20	IK07	16	100,000
<b>1200 x 90mm - Direct/Indirect - CRI90 4000K (Neutral White)</b>													
2023817	Optix Linear Surface 1200 D/I 4000K C9 ALU DALI	33	4,100	124	4,000	225	90	80	1129	IP20	IK07	16	100,000
2023818	Optix Linear Surface 1200 D/I 4000K C9 ALU DALI EM	36	4,100	114	4,000	225	90	80	1160	IP20	IK07	16	100,000
<b>1200 x 90mm - Direct/Indirect - CRI80 3000-6000K (Tunable White)</b>													
2023819	Optix Linear Surface 1200 D/I TW ALU DALI	31	3,700	119	3,000-6,000	600	80	80	1129	IP20	IK07	16	100,000
2023821	Optix Linear Surface 1200 D/I TW ALU SSC	32	3,700	116	3,000-6,000	600	80	80	1129	IP20	IK07	16	100,000
2023820	Optix Linear Surface 1200 D/I TW ALU DALI EM	34	3,700	109	3,000-6,000	600	80	80	1160	IP20	IK07	16	100,000
2023822	Optix Linear Surface 1200 D/I TW ALU SSC EM	35	3,700	106	3,000-6,000	600	80	80	1160	IP20	IK07	16	100,000
<b>1200 x 90mm - Direct/Indirect - LumiNature 4000K (Neutral White)</b>													
2023857	Optix Linear Surface 1200 DI LUMI 4K ALU	36	4,020	112	4,000	250	98	80	1129	IP20	IK07	16	100,000
2023858	Optix Linear Surface 1200 DI LUMI 4K ALU DALI	36	4,020	112	4,000	250	98	80	1129	IP20	IK07	16	100,000
2023859	Optix Linear Surface 1200 DI LUMI 4K ALU SSC	37	4,020	109	4,000	250	98	80	1129	IP20	IK07	16	100,000
2023868	Optix Linear Surface 1200 DI LUMI 4K ALU SSA	37	4,020	109	4,000	250	98	80	1129	IP20	IK07	16	100,000
<b>1200 x 90mm - Direct/Indirect - LumiNature 2800-6200K (Tunable White)</b>													
2023860	Optix Linear Surface 1200 DI LUMI HCL TW ALU DALI	38	3,540	93	2,800-6,200	165	95	80	1129	IP20	IK07	16	100,000
2023861	Optix Linear Surface 1200 DI LUMI HCL TW ALU SSC	39	3,540	91	2,800-6,200	165	95	80	1129	IP20	IK07	16	100,000
<b>Accessories</b>													
Code	Description												
<b>Mechanical Accessories</b>													
2021726	OPTIX LIN S ACC JOINING KIT												
5054686	UNIVERSAL SUSPENSION KIT 1.5M												
2021731	OPTIX LIN S INFILL 600mm												
2021732	OPTIX LIN S INFILL 900mm												
2021733	OPTIX LIN S INFILL 1200mm												
<b>Optix Linear Surface - Accessories</b>													
Code	Description												
<b>Suspension with Electrical Connections</b>													
5050568	RANA ACC FULL SUSP + POWER 3CORE SET 1W												
5050571	RANA ACC FULL SUSP + POWER 5CORE SET 2W												
5050574	RANA ACC FULL SUSP + POWER 3CORE SET 1T												
5050577	RANA ACC FULL SUSP + POWER 5CORE SET 2T												
5050604	RANA ACC CEILING ROSE												
<b>Through Wiring Accessories</b>													
2021721	OPTIX LIN ACC THROUGH WIRE 3X1,5MM2												
2021722	OPTIX LIN ACC THROUGH WIRE 4X1,5MM2												
2021723	OPTIX LIN ACC THR WIRE 3X1,5+2X0,5MM2												
2021724	OPTIX LIN ACC THR WIRE 2X0,5+2X0,5MM2												

# Curvelyte

## Product information

## Product overview on page 24

Code	Description	Total System power consumption (W)	Lumen output (lm)	Efficacy (lm/W)	Colour temperature (K)	Drive current (mA)	Height (mm)	Length (mm)	IP rating	IK rating	Lifetime (hours)
<b>3000K</b>											
2093175	Curvelyte 1265x330 HO D/I 3K DALI BLACK	55	6250	114	3000	1200	46	1265	IP20	IK06	50000
2093180	Curvelyte 1265x330 HO D/I 3K DALI WHITE	55	6600	120	3000	1200	46	1265	IP20	IK06	50000
2093186	Curvelyte 1265x330 HO LG D/I 3K DALI BLACK	55	5000	91	3000	1200	46	1265	IP20	IK06	50000
2093188	Curvelyte 1265x330 HO LG D/I 3K DALI WHITE	55	5300	96	3000	1200	46	1265	IP20	IK06	50000
<b>4000K</b>											
2093176	Curvelyte 1265x330 HO D/I 4K DALI BLACK	55	6750	123	4000	1200	46	1265	IP20	IK06	50000
2093181	Curvelyte 1265x330 HO D/I 4K DALI WHITE	55	7200	131	4000	1200	46	1265	IP20	IK06	50000
2093187	Curvelyte 1265x330 HO LG D/I 4K DALI BLACK	55	5450	99	4000	1200	46	1265	IP20	IK06	50000
2093189	Curvelyte 1265x330 HO LG D/I 4K DALI WHITE	55	5800	105	4000	1200	46	1265	IP20	IK06	50000
<b>Accessories</b>											
2093168	Curvelyte Box 1 CYLIN 1 RECTAN SM SILVER										
2093169	Curvelyte Box 1 CYLIN 1 RECTAN SM WHITE										
2093170	Curvelyte Box 2 RECTAN SM SILVER										
2093171	Curvelyte Box 2 RECTAN SM WHITE										
2093177	Curvelyte Box 1 CYLIN 1 RECTAN SM BLACK										
2093178	Curvelyte Box 2 RECTAN SM BLACK										

# Colossal

## Product information

## Product overview on page 25

Code	Description	Total System power consumption (W)	Lumen output (lm)	Efficacy (lm/W)	Colour temperature (K)	Drive current (mA)	Height (mm)	Length (mm)	IP rating	IK rating	Lifetime (hours)
<b>3000K</b>											
4061100	Colossal 400 3400lm 830 WHT	30	3400	113	3000	333	87	400	IP40	IK03	50000
4061102	Colossal 400 3400lm 830 EM3 WHT	30	3400	113	3000	333	87	400	IP40	IK03	50000
4061104	Colossal 400 3400lm 830 DALI WHT	30	3400	113	3000	333	87	400	IP40	IK03	50000
4061106	Colossal 400 3400lm 830 DALI EM3 WHT	30	3400	113	3000	333	87	400	IP40	IK03	50000
<b>4000K</b>											
4061101	Colossal 400 3550lm 840 WHT	30	3550	118	4000	333	87	400	IP40	IK03	50000
4061103	Colossal 400 3550lm 840 EM3 WHT	30	3550	118	4000	333	87	400	IP40	IK03	50000
4061105	Colossal 400 3550lm 840 DALI WHT	30	3550	118	4000	333	87	400	IP40	IK03	50000
4061107	Colossal 400 3550lm 840 DALI EM3 WHT	30	3550	118	4000	333	87	400	IP40	IK03	50000
<b>Accessories</b>											
4061178	Colossal WIRE Suspension Kit 2000mm										
4061179	Colossal WIRE Suspension Kit 2000mm DALI										

# Myriad Pendant

## Product information

## Product overview on page 26

Code	Description	Total System power consumption (W)	Lumen output (lm)	Efficacy (lm/W)	Colour temperature (K)	Drive current (mA)	Beam Angle (°)	IP rating	IK rating	Lifetime (hours)
<b>Surface Mounted - White</b>										
2058982	Myriad Pendant 2700K Surface MTD PHASE DIM WHITE	10	975	97.5	2700	250	30	IP20	IK02	50000
2049549	Myriad Pendant 3000K Surface MTD PHASE DIM WHITE	10	1114	111.4	3000	250	30	IP20	IK02	50000
2049551	Myriad Pendant 4000K Surface MTD PHASE DIM WHITE	10	1093	109.3	4000	250	30	IP20	IK02	50000
2058983	Myriad Pendant 2700K Surface MTD DALI WHITE	10	975	97.5	2700	250	30	IP20	IK02	50000
2049555	Myriad Pendant 3000K Surface MTD DALI WHITE	10	1114	111.4	3000	250	30	IP20	IK02	50000
2049557	Myriad Pendant 4000K Surface MTD DALI WHITE	10	1093	109.3	4000	250	30	IP20	IK02	50000
<b>Surface Mounted - Black</b>										
2058986	Myriad Pendant 2700K Surface MTD PHASE DIM BLACK	10	975	97.5	2700	250	30	IP20	IK02	50000
2049579	Myriad Pendant 3000K Surface MTD PHASE DIM BLACK	10	1114	111.4	3000	250	30	IP20	IK02	50000
2049580	Myriad Pendant 4000K Surface MTD PHASE DIM BLACK	10	1093	109.3	4000	250	30	IP20	IK02	50000
2058987	Myriad Pendant 2700K Surface MTD DALI BLACK	10	975	97.5	2700	250	30	IP20	IK02	50000
2049582	Myriad Pendant 3000K Surface MTD DALI BLACK	10	1114	111.4	3000	250	30	IP20	IK02	50000
2049583	Myriad Pendant 4000K Surface MTD DALI BLACK	10	1093	109.3	4000	250	30	IP20	IK02	50000
<b>Surface Mounted - Silver</b>										
2058978	Myriad Pendant 2700K Surface MTD PHASE DIM SILVER	10	975	97.5	2700	250	30	IP20	IK02	50000
2049550	Myriad Pendant 3000K Surface MTD PHASE DIM SILVER	10	1114	111.4	3000	250	30	IP20	IK02	50000
2049552	Myriad Pendant 4000K Surface MTD PHASE DIM SILVER	10	1093	109.3	4000	250	30	IP20	IK02	50000
2058979	Myriad Pendant 2700K Surface MTD DALI SILVER	10	975	97.5	2700	250	30	IP20	IK02	50000
2049556	Myriad Pendant 3000K Surface MTD DALI SILVER	10	1114	111.4	3000	250	30	IP20	IK02	50000
2049558	Myriad Pendant 4000K Surface MTD DALI SILVER	10	1093	109.3	4000	250	30	IP20	IK02	50000
<b>Remote Gear - White</b>										
2058980	Myriad Pendant 2700K Remote Gear PHASE DIM WHITE	10	975	97.5	2700	250	30	IP20	IK02	50000
2049585	Myriad Pendant 3000K Remote Gear PHASE DIM WHITE	10	1114	111.4	3000	250	30	IP20	IK02	50000
2049587	Myriad Pendant 4000K Remote Gear PHASE DIM WHITE	10	1093	109.3	4000	250	30	IP20	IK02	50000
2058981	Myriad Pendant 2700K Remote Gear DALI WHITE	10	975	97.5	2700	250	30	IP20	IK02	50000
2049591	Myriad Pendant 3000K Remote Gear DALI WHITE	10	1114	111.4	3000	250	30	IP20	IK02	50000
2049593	Myriad Pendant 4000K Remote Gear DALI WHITE	10	1093	109.3	4000	250	30	IP20	IK02	50000
<b>Remote Gear - Black</b>										
2058984	Myriad Pendant 2700K Remote Gear PHASE DIM BLACK	10	975	97.5	2700	250	30	IP20	IK02	50000
2049597	Myriad Pendant 3000K Remote Gear PHASE DIM BLACK	10	1114	111.4	3000	250	30	IP20	IK02	50000
2049598	Myriad Pendant 4000K Remote Gear PHASE DIM BLACK	10	1093	109.3	4000	250	30	IP20	IK02	50000
2058985	Myriad Pendant 2700K Remote Gear DALI BLACK	10	975	97.5	2700	250	30	IP20	IK02	50000
2049600	Myriad Pendant 3000K Remote Gear DALI BLACK	10	1114	111.4	3000	250	30	IP20	IK02	50000
2049601	Myriad Pendant 4000K Remote Gear DALI BLACK	10	1093	109.3	4000	250	30	IP20	IK02	50000
<b>Remote Gear - Silver</b>										
2058976	Myriad Pendant 2700K Remote Gear PHASE DIM SILVER	10	975	97.5	2700	250	30	IP20	IK02	50000
2049586	Myriad Pendant 3000K Remote Gear PHASE DIM SILVER	10	1114	111.4	3000	250	30	IP20	IK02	50000
2049588	Myriad Pendant 4000K Remote Gear PHASE DIM SILVER	10	1093	109.3	4000	250	30	IP20	IK02	50000
2058977	Myriad Pendant 2700K Remote Gear DALI SILVER	10	975	97.5	2700	250	30	IP20	IK02	50000
2049592	Myriad Pendant 3000K Remote Gear DALI SILVER	10	1114	111.4	3000	250	30	IP20	IK02	50000
2049594	Myriad Pendant 4000K Remote Gear DALI SILVER	10	1093	109.3	4000	250	30	IP20	IK02	50000

## Product information

Code	Description	Total System power consumption (W)	Lumen output (lm)	Efficacy (lm/W)	Colour temperature (K)	Drive current (mA)	Beam Angle (°)	IP rating	IK rating	Lifetime (hours)
<b>Pendant - 2700K</b>										
2061000	TubiXx LED pendant 2700K black-gold	14	1152	82	2700	350	33.8	IP20	IK02	50,000
2061003	TubiXx LED pendant 2700K white-black	14	1138	81	2700	350	35.8	IP20	IK02	50,000
2061006	TubiXx LED pendant 2700K white-white	14	1152	82	2700	350	34.5	IP20	IK02	50,000
<b>3000K</b>										
2061001	TubiXx LED pendant 3000K black-gold	14	1234	88	3000	350	35.9	IP20	IK02	50,000
2061004	TubiXx LED pendant 3000K white-black	14	1243	89	3000	350	36.5	IP20	IK02	50,000
2061007	TubiXx LED pendant 3000K white-white	14	1267	91	3000	350	34.2	IP20	IK02	50,000
<b>4000K</b>										
2061002	TubiXx LED pendant 4000K black-gold	14	1361	97	4000	350	35.2	IP20	IK02	50,000
2061005	TubiXx LED pendant 4000K white-black	14	1337	96	4000	350	36.5	IP20	IK02	50,000
2061008	TubiXx LED pendant 4000K white-white	14	1327	95	4000	350	34.9	IP20	IK02	50,000
<b>Surface - 2700K</b>										
2061009	TubiXx LED surface 2700K black-gold	14	1152	82	2700	350	33.8	IP20	IK02	50,000
2061012	TubiXx LED surface 2700K white-black	14	1138	81	2700	350	35.8	IP20	IK02	50,000
2061015	TubiXx LED surface 2700K white-white	14	1152	82	2700	350	34.5	IP20	IK02	50,000
<b>3000K</b>										
2061010	TubiXx LED surface 3000K black-gold	14	1234	88	3000	350	35.9	IP20	IK02	50,000
2061013	TubiXx LED surface 3000K white-black	14	1243	89	3000	350	36.5	IP20	IK02	50,000
2061016	TubiXx LED surface 3000K white-white	14	1267	91	3000	350	34.2	IP20	IK02	50,000
<b>4000K</b>										
2061011	TubiXx LED surface 4000K black-gold	14	1361	97	4000	350	35.2	IP20	IK02	50,000
2061014	TubiXx LED surface 4000K white-black	14	1337	96	4000	350	36.5	IP20	IK02	50,000
2061017	TubiXx LED surface 4000K white-white	14	1327	95	4000	350	34.9	IP20	IK02	50,000

## Product overview on page 27

## Exospot

## Product information

Code	Description	Housing Colour	Total System power consumption (W)	Lumen output (lm)	Efficacy (lm/W)	Colour temperature (K)	Drive current (mA)	Nominal Beam Angle (°)	Cut-out (mm)	IP rating	IK rating	Lifetime (hours)
<b>70 Fixeda</b>												
2070015	EXPOSPOT 70 FIXED RA90 3000K NB WHITE	WHITE	21	1769	84	3000	500	25	100	IP20	IK02	60000
2070016	EXPOSPOT 70 FIXED RA90 3000K MB WHITE	WHITE	21	1793	85	3000	500	42	100	IP20	IK02	60000
2070017	EXPOSPOT 70 FIXED RA90 3000K WB WHITE	WHITE	21	1815	86	3000	500	53	100	IP20	IK02	60000
2070018	EXPOSPOT 70 FIXED RA90 4000K NB WHITE	WHITE	21	1751	83	4000	500	24	100	IP20	IK02	60000
2070019	EXPOSPOT 70 FIXED RA90 4000K MB WHITE	WHITE	21	1964	94	4000	500	42	100	IP20	IK02	60000
2070020	EXPOSPOT 70 FIXED RA90 4000K WB WHITE	WHITE	21	1988	95	4000	500	52	100	IP20	IK02	60000
<b>70 Adjustable</b>												
2070021	EXPOSPOT 70 ADJUSTABLE RA90 3000K NB WHITE	WHITE	21	1769	84	3000	500	25	126	IP20	IK02	60000
2070022	EXPOSPOT 70 ADJUSTABLE RA90 3000K MB WHITE	WHITE	21	1793	85	3000	500	42	126	IP20	IK02	60000
2070023	EXPOSPOT 70 ADJUSTABLE RA90 3000K WB WHITE	WHITE	21	1815	86	3000	500	53	126	IP20	IK02	60000
2070024	EXPOSPOT 70 ADJUSTABLE RA90 4000K NB WHITE	WHITE	21	1751	83	4000	500	24	126	IP20	IK02	60000
2070025	EXPOSPOT 70 ADJUSTABLE RA90 4000K MB WHITE	WHITE	21	1964	94	4000	500	42	126	IP20	IK02	60000
2070026	EXPOSPOT 70 ADJUSTABLE RA90 4000K WB WHITE	WHITE	21	1988	95	4000	500	52	126	IP20	IK02	60000

## Product overview on page 28

Code	Description	Housing Colour	Total System power consumption (W)	Lumen output (lm)	Efficacy (lm/W)	Colour temperature (K)	Drive current (mA)	Nominal Beam Angle (°)	Cut-out (mm)	IP rating	IK rating	Lifetime (hours)
2070027	EXPOSPOT 70 ADJUSTABLE RA90 3000K MB BLACK		21	1793	85	3000	300	42	126	IP20	IK02	60000
2070028	EXPOSPOT 70 ADJUSTABLE RA90 4000K MB BLACK		21	1964	94	4000	300	42	126	IP20	IK02	60000
<b>90 Fixed HE</b>												
2070029	EXPOSPOT 90 FIXED HE RA90 3000K NB WHITE	WHITE	28	2536	91	3000	700	25	112	IP20	IK02	60000
2070030	EXPOSPOT 90 FIXED HE RA90 3000K MB WHITE	WHITE	28	2573	92	3000	700	44	112	IP20	IK02	60000
2070031	EXPOSPOT 90 FIXED HE RA90 3000K WB WHITE	WHITE	28	2589	92	3000	700	58	112	IP20	IK02	60000
2070032	EXPOSPOT 90 FIXED HE RA90 4000K NB WHITE	WHITE	28	2789	100	4000	700	26	112	IP20	IK02	60000
2070033	EXPOSPOT 90 FIXED HE RA90 4000K MB WHITE	WHITE	28	2836	101	4000	700	45	112	IP20	IK02	60000
2070034	EXPOSPOT 90 FIXED HE RA90 4000K WB WHITE	WHITE	28	2855	102	4000	700	57	112	IP20	IK02	60000
<b>90 Adjustable HE</b>												
2070035	EXPOSPOT 90 ADJUSTABLE HE RA90 3000K NB WHITE	WHITE	28	2536	91	3000	700	25	140	IP20	IK02	60000
2070036	EXPOSPOT 90 ADJUSTABLE HE RA90 3000K MB WHITE	WHITE	28	2573	92	3000	700	44	140	IP20	IK02	60000
2070037	EXPOSPOT 90 ADJUSTABLE HE RA90 3000K WB WHITE	WHITE	28	2589	92	3000	700	58	140	IP20	IK02	60000
2070038	EXPOSPOT 90 ADJUSTABLE HE RA90 4000K NB WHITE	WHITE	28	2789	100	4000	700	26	140	IP20	IK02	60000
2070039	EXPOSPOT 90 ADJUSTABLE HE RA90 4000K MB WHITE	WHITE	28	2836	101	4000	700	45	140	IP20	IK02	60000
2070040	EXPOSPOT 90 ADJUSTABLE HE RA90 4000K WB WHITE	WHITE	28	2855	102	4000	700	57	140	IP20	IK02	60000
<b>90 Caardian HE</b>												
2070041	EXPOSPOT 90 CARDAN HE RA90 3000K NB WHITE	WHITE	28	2536	91	3000	700	25	148	IP20	IK02	60000
2070042	EXPOSPOT 90 CARDAN HE RA90 3000K MB WHITE	WHITE	28	2573	92	3000	700	44	148	IP20	IK02	60000
2070043	EXPOSPOT 90 CARDAN HE RA90 3000K WB WHITE	WHITE	28	2589	92	3000	700	58	148	IP20	IK02	60000
2070044	EXPOSPOT 90 CARDAN HE RA90 4000K NB WHITE	WHITE	28	2789	100	4000	700	26	148	IP20	IK02	60000
2070045	EXPOSPOT 90 CARDAN HE RA90 4000K MB WHITE	WHITE	28	2836	101	4000	700	45	148	IP20	IK02	60000
2070046	EXPOSPOT 90 CARDAN HE RA90 4000K WB WHITE	WHITE	28	2855	102	4000	700	57	148	IP20	IK02	60000
<b>90 Mono HE</b>												
2070047	EXPOSPOT 90 MONO HE RA90 3000K NB WHITE	WHITE	28	2536	91	3000	700	25	148x148	IP20	IK02	60000
2070048	EXPOSPOT 90 MONO HE RA90 3000K MB WHITE	WHITE	28	2573	92	3000	700	44	148x148	IP20	IK02	60000
2070049	EXPOSPOT 90 MONO HE RA90 3000K WB WHITE	WHITE	28	2589	92	3000	700	58	148x148	IP20	IK02	60000
2070050	EXPOSPOT 90 MONO HE RA90 4000K NB WHITE	WHITE	28	2789	100	4000	700	26	148x148	IP20	IK02	60000
2070051	EXPOSPOT 90 MONO HE RA90 4000K MB WHITE	WHITE	28	2836	101	4000	700	45	148x148	IP20	IK02	60000
2070052	EXPOSPOT 90 MONO HE RA90 4000K WB WHITE	WHITE	28	2855	102	4000	700	57	148x148	IP20	IK02	60000
<b>90 Duo HE</b>												
2070053	EXPOSPOT 90 DUO HE RA90 3000K NB WHITE	WHITE	50	2 x 2536	101	3000	700	25	148x292	IP20	IK02	60000
2070054	EXPOSPOT 90 DUO HE RA90 3000K MB WHITE	WHITE	50	2 x 2573	103	3000	700	44	148x292	IP20	IK02	60000
2070055	EXPOSPOT 90 DUO HE RA90 3000K WB WHITE	WHITE	50	2 x 2589	104	3000	700	58	148x292	IP20	IK02	60000
2070056	EXPOSPOT 90 DUO HE RA90 4000K NB WHITE	WHITE	50	2 x 2789	112	4000	700	26	148x292	IP20	IK02	60000
2070057	EXPOSPOT 90 DUO HE RA90 4000K MB WHITE	WHITE	50	2 x 2836	113	4000	700	45	148x292	IP20	IK02	60000
2070058	EXPOSPOT 90 DUO HE RA90 4000K WB WHITE	WHITE	50	2 x 2855	114	4000	700	57	148x292	IP20	IK02	60000
<b>90 Trio HE</b>												
2070059	EXPOSPOT 90 TRIO HE RA90 3000K NB WHITE	WHITE	77	3 x 2536	99	3000	700	25	148x422	IP20	IK02	60000
2070060	EXPOSPOT 90 TRIO HE RA90 3000K MB WHITE	WHITE	77	3 x 2573	100	3000	700	44	148x422	IP20	IK02	60000
2070061	EXPOSPOT 90 TRIO HE RA90 3000K WB WHITE	WHITE	77	3 x 2589	101	3000	700	58	148x422	IP20	IK02	60000
2070062	EXPOSPOT 90 TRIO HE RA90 4000K NB WHITE	WHITE	77	3 x 2789	109	4000	700	26	148x422	IP20	IK02	60000
2070063	EXPOSPOT 90 TRIO HE RA90 4000K MB WHITE	WHITE	77	3 x 2836	110	4000	700	45	148x422	IP20	IK02	60000
2070064	EXPOSPOT 90 TRIO HE RA90 4000K WB WHITE	WHITE	77	3 x 2855	111	4000	700	57	148x422	IP20	IK02	60000
<b>90 Fixed HO</b>												
2070065	EXPOSPOT 90 FIXED HO RA90 3000K NB WHITE	WHITE	35	3369	96	3000	900	26	112	IP20	IK02	60000
2070066	EXPOSPOT 90 FIXED HO RA90 3000K MB WHITE	WHITE	35	3180	91	3000	900	44	112	IP20	IK02	60000
2070067	EXPOSPOT 90 FIXED HO RA90 3000K WB WHITE	WHITE	35	3293	94	3000	900	56	112	IP20	IK02	60000

Code	Description	Housing Colour	Total System power consumption (W)	Lumen output (lm)	Efficacy (lm/W)	Colour temperature (K)	Drive current (mA)	Nominal Beam Angle (°)	Cut-out (mm)	IP rating	IK rating	Lifetime (hours)
2070068	EXPOSPOT 90 FIXED HO RA90 4000K NB WHITE	WHITE	35	3570	102	4000	900	26	112	IP20	IK02	60000
2070069	EXPOSPOT 90 FIXED HO RA90 4000K MB WHITE	WHITE	35	3458	99	4000	900	43	112	IP20	IK02	60000
2070070	EXPOSPOT 90 FIXED HO RA90 4000K WB WHITE	WHITE	35	3479	99	4000	900	57	112	IP20	IK02	60000
<b>90 Adjustable HO</b>												
2070071	EXPOSPOT 90 ADJUSTABLE HO RA90 3000K VNB WHITE	WHITE	35	3601	103	3000	900	26	140	IP20	IK02	60000
2070072	EXPOSPOT 90 ADJUSTABLE HO RA90 3000K NB WHITE	WHITE	35	3369	96	3000	900	26	140	IP20	IK02	60000
2070073	EXPOSPOT 90 ADJUSTABLE HO RA90 3000K MB WHITE	WHITE	35	3180	91	3000	900	44	140	IP20	IK02	60000
2070074	EXPOSPOT 90 ADJUSTABLE HO RA90 3000K WB WHITE	WHITE	35	3293	94	3000	900	56	140	IP20	IK02	60000
2070075	EXPOSPOT 90 ADJUSTABLE HO RA90 4000K VNB WHITE	WHITE	35	3960	113	4000	900	13	140	IP20	IK02	60000
2070076	EXPOSPOT 90 ADJUSTABLE HO RA90 4000K NB WHITE	WHITE	35	3570	102	4000	900	26	140	IP20	IK02	60000
2070077	EXPOSPOT 90 ADJUSTABLE HO RA90 4000K MB WHITE	WHITE	35	3458	99	4000	900	43	140	IP20	IK02	60000
2070078	EXPOSPOT 90 ADJUSTABLE HO RA90 4000K WB WHITE	WHITE	35	3479	99	4000	900	57	140	IP20	IK02	60000
<b>90 Cardan HO</b>												
2070079	EXPOSPOT 90 CARDAN HO RA90 3000K VNB WHITE	WHITE	35	3601	103	3000	900	13	148	IP20	IK02	60000
2070080	EXPOSPOT 90 CARDAN HO RA90 3000K NB WHITE	WHITE	35	3369	96	3000	900	26	148	IP20	IK02	60000
2070081	EXPOSPOT 90 CARDAN HO RA90 3000K MB WHITE	WHITE	35	3180	91	3000	900	44	148	IP20	IK02	60000
2070082	EXPOSPOT 90 CARDAN HO RA90 3000K WB WHITE	WHITE	35	3293	94	3000	900	56	148	IP20	IK02	60000
2070083	EXPOSPOT 90 CARDAN HO RA90 4000K VNB WHITE	WHITE	35	3960	113	4000	900	13	148	IP20	IK02	60000
2070084	EXPOSPOT 90 CARDAN HO RA90 4000K NB WHITE	WHITE	35	3570	102	4000	900	26	148	IP20	IK02	60000
2070085	EXPOSPOT 90 CARDAN HO RA90 4000K MB WHITE	WHITE	35	3458	99	4000	900	43	148	IP20	IK02	60000
2070086	EXPOSPOT 90 CARDAN HO RA90 4000K WB WHITE	WHITE	35	3479	99	4000	900	57	148	IP20	IK02	60000
<b>90 Mono HO</b>												
2070087	EXPOSPOT 90 MONO HO RA90 3000K VNB WHITE	WHITE	35	3601	103	3000	900	13	148x148	IP20	IK02	60000
2070088	EXPOSPOT 90 MONO HO RA90 3000K NB WHITE	WHITE	35	3369	96	3000	900	26	148x148	IP20	IK02	60000
2070089	EXPOSPOT 90 MONO HO RA90 3000K MB WHITE	WHITE	35	3180	91	3000	900	44	148x148	IP20	IK02	60000
2070090	EXPOSPOT 90 MONO HO RA90 3000K WB WHITE	WHITE	35	3293	94	3000	900	56	148x148	IP20	IK02	60000
2070091	EXPOSPOT 90 MONO HO RA90 4000K VNB WHITE	WHITE	35	3960	113	4000	900	13	148x148	IP20	IK02	60000
2070092	EXPOSPOT 90 MONO HO RA90 4000K NB WHITE	WHITE	35	3570	102	4000	900	26	148x148	IP20	IK02	60000
2070093	EXPOSPOT 90 MONO HO RA90 4000K MB WHITE	WHITE	35	3458	99	4000	900	43	148x148	IP20	IK02	60000
2070094	EXPOSPOT 90 MONO HO RA90 4000K WB WHITE	WHITE	35	3479	99	4000	900	57	148x148	IP20	IK02	60000
<b>90 Duo HO</b>												
2070095	EXPOSPOT 90 DUO HO RA90 3000K VNB WHITE	WHITE	73	2 x 3601	99	3000	900	13	148x292	IP20	IK02	60000
2070096	EXPOSPOT 90 DUO HO RA90 3000K NB WHITE	WHITE	73	2 x 3369	92	3000	900	26	148x292	IP20	IK02	60000
2070097	EXPOSPOT 90 DUO HO RA90 3000K MB WHITE	WHITE	73	2 x 3180	87	3000	900	44	148x292	IP20	IK02	60000
2070098	EXPOSPOT 90 DUO HO RA90 3000K WB WHITE	WHITE	73	2 x 3293	90	3000	900	56	148x292	IP20	IK02	60000
2070099	EXPOSPOT 90 DUO HO RA90 4000K VNB WHITE	WHITE	73	2 x 3960	108	4000	900	13	148x292	IP20	IK02	60000
2070100	EXPOSPOT 90 DUO HO RA90 4000K NB WHITE	WHITE	73	2 x 3570	98	4000	900	26	148x292	IP20	IK02	60000
2070101	EXPOSPOT 90 DUO HO RA90 4000K MB WHITE	WHITE	73	2 x 3458	95	4000	900	43	148x292	IP20	IK02	60000
2070102	EXPOSPOT 90 DUO HO RA90 4000K WB WHITE	WHITE	73	2 x 3479	95	4000	900	57	148x292	IP20	IK02	60000
<b>90 Trio HO</b>												
2070103	EXPOSPOT 90 TRIO HO RA90 3000K VNB WHITE	WHITE	107	3 x 3601	101	3000	900	13	148x422	IP20	IK02	60000
2070104	EXPOSPOT 90 TRIO HO RA90 3000K NB WHITE	WHITE	107	3 x 3369	94	3000	900	26	148x422	IP20	IK02	60000
2070105	EXPOSPOT 90 TRIO HO RA90 3000K MB WHITE	WHITE	107	3 x 3180	89	3000	900	44	148x422	IP20	IK02	60000
2070106	EXPOSPOT 90 TRIO HO RA90 3000K WB WHITE	WHITE	107	3 x 3293	92	3000	900	56	148x422	IP20	IK02	60000
2070107	EXPOSPOT 90 TRIO HO RA90 4000K VNB WHITE	WHITE	107	3 x 3960	111	4000	900	13	148x422	IP20	IK02	60000
2070108	EXPOSPOT 90 TRIO HO RA90 4000K NB WHITE	WHITE	107	3 x 3570	100	4000	900	26	148x422	IP20	IK02	60000
2070109	EXPOSPOT 90 TRIO HO RA90 4000K MB WHITE	WHITE	107	3 x 3458	97	4000	900	43	148x422	IP20	IK02	60000
2070110	EXPOSPOT 90 TRIO HO RA90 4000K WB WHITE	WHITE	107	3 x 3479	98	4000	900	57	148x422	IP20	IK02	60000

Code	Description	Housing Colour	Total System power consumption (W)	Lumen output (lm)	Efficacy (lm/W)	Colour temperature (K)	Drive current (mA)	Nominal Beam Angle (°)	Cut-out (mm)	IP rating	IK rating	Lifetime (hours)
<b>90 Adjustable HO</b>												
2070111	EXPOSPOT 90 ADJUSTABLE HO RA90 3000K MB BLACK	BLACK	35	3180	91	3000	300	44	140	IP20	IK02	60000
2070112	EXPOSPOT 90 ADJUSTABLE HO RA90 4000K MB BLACK	BLACK	35	3458	99	4000	300	43	140	IP20	IK02	60000
<b>90 Cardan HO</b>												
2070113	EXPOSPOT 90 CARDAN HO RA90 3000K MB BLACK	BLACK	35	3180	91	3000	300	44	148	IP20	IK02	60000
2070114	EXPOSPOT 90 CARDAN HO RA90 4000K MB BLACK	BLACK	73	3458	99	3000	300	44	148x292	IP20	IK02	60000
<b>90 Mono HO</b>												
2070115	EXPOSPOT 90 MONO HO RA90 3000K MB BLACK	BLACK	35	3180	91	4000	300	43	148	IP20	IK02	60000
2070116	EXPOSPOT 90 MONO HO RA90 4000K MB BLACK	BLACK	73	3458	99	4000	300	43	148x292	IP20	IK02	60000
<b>90 Duo HO</b>												
2070117	EXPOSPOT 90 DUO HO RA90 3000K MB BLACK	BLACK	35	2 x 3180	87	3000	300	44	148x148	IP20	IK02	60000
2070118	EXPOSPOT 90 DUO HO RA90 4000K MB BLACK	BLACK	107	2 x 3458	95	3000	300	44	148x422	IP20	IK02	60000
<b>90 Trio HO</b>												
2070119	EXPOSPOT 90 TRIO HO RA90 3000K MB BLACK	BLACK	35	3 x 3180	89	4000	300	43	148x148	IP20	IK02	60000
2070120	EXPOSPOT 90 TRIO HO RA90 4000K MB BLACK	BLACK	107	3 x 3458	97	4000	300	43	148x422	IP20	IK02	60000
<b>90 Cardan VHO</b>												
2070121	EXPOSPOT 90 ADJUSTABLE VHO RA90 3000K MB WHITE	WHITE	56	5330	95	3000	900	44	140	IP20	IK02	100000
2070122	EXPOSPOT 90 ADJUSTABLE VHO RA90 4000K MB WHITE	WHITE	56	5647	101	4000	900	43	140	IP20	IK02	100000
<b>90 Cardan VHO</b>												
2070123	EXPOSPOT 90 CARDAN VHO RA90 3000K MB WHITE	WHITE	56	5330	95	3000	900	44	148	IP20	IK02	100000
2070124	EXPOSPOT 90 CARDAN VHO RA90 4000K MB WHITE	WHITE	56	5647	101	4000	900	43	148	IP20	IK02	100000
<b>90 Cardan HO</b>												
2070125	EXPOSPOT 90 MONO VHO RA90 3000K MB WHITE	WHITE	56	5330	95	3000	900	44	148x148	IP20	IK02	100000
2070126	EXPOSPOT 90 MONO VHO RA90 4000K MB WHITE	WHITE	56	5647	101	4000	900	43	148x148	IP20	IK02	100000
<b>90 Duo VHO</b>												
2070127	EXPOSPOT 90 DUO VHO RA90 3000K MB WHITE	WHITE	114	2 x 5330	93	3000	900	44	148x292	IP20	IK02	100000
2070128	EXPOSPOT 90 DUO VHO RA90 4000K MB WHITE	WHITE	114	2 x 5647	99	4000	900	43	148x292	IP20	IK02	100000
<b>90 Trio VHO</b>												
2070129	EXPOSPOT 90 TRIO VHO RA90 3000K MB WHITE	WHITE	171	3 x 5330	93	3000	900	44	148x422	IP20	IK02	100000
2070130	EXPOSPOT 90 TRIO VHO RA90 4000K MB WHITE	WHITE	171	3 x 5647	99	4000	900	43	148x422	IP20	IK02	100000

## Ascent 50

### Product information

Code	Description	Total System power consumption (W)	Lumen output (lm)	Efficacy (lm/W)	Colour temperature (K)	Drive current (mA)	Diameter (mm)	Cut-out (mm)	IP rating	IK rating	Lifetime (hours)
2053870	Ascent50 Round 1700lm STD 3K	14	1732	124	3000	350	150	130	IP23	IK02	50000
2053871	Ascent50 Round 1700lm STD 3K E3	16	1732	108	3000	350	150	130	IP23	IK02	50000
2053872	Ascent50 Round 1700lm DALI 3K	14	1732	124	3000	350	150	130	IP23	IK02	50000
2053873	Ascent50 Round 1700lm DALI 3K E3	16	1732	108	3000	350	150	130	IP23	IK02	50000
2053874	Ascent50 Round 1700lm STD 4K	14	1705	122	4000	350	150	130	IP23	IK02	50000
2053875	Ascent50 Round 1700lm STD 4K E3	16	1705	107	4000	350	150	130	IP23	IK02	50000
2053876	Ascent50 Round 1700lm DALI 4K	14	1705	122	4000	350	150	130	IP23	IK02	50000
2053877	Ascent50 Round 1700lm DALI 4K E3	16	1705	107	4000	350	150	130	IP23	IK02	50000

### Product overview on page 30

# Ascent 100 II

## Product information

Code	Description	Total System power consumption (W)	Lumen output (lm)	Efficacy (lm/W)	Colour temperature (K)	Drive current (mA)	Diameter (mm)	Cut-out (mm)	IP rating	IK rating	Lifetime (hours)
<b>Architectural 120</b>											
2060500	ASCENT 100 II ARCH 650 3K STD 120	5	638	128	3000	100	120	137	IP40/20	IK02	100000
2060501	ASCENT 100 II ARCH 650 3K STD EMG 120	7	638	91	3000	100	120	137	IP40/20	IK02	100000
2060502	ASCENT 100 II ARCH 650 3K DALI 120	5	620	124	3000	100	120	137	IP65/20	IK02	100000
2060503	ASCENT 100 II ARCH 650 3K DALI EMG 120	7	638	91	3000	100	120	137	IP40/20	IK02	100000
2060505	ASCENT 100 II ARCH 650 4K STD 120	5	653	131	4000	100	120	137	IP40/20	IK02	100000
2060506	ASCENT 100 II ARCH 650 4K STD EMG 120	7	653	93	4000	100	120	137	IP40/20	IK02	100000
2060507	ASCENT 100 II ARCH 650 4K DALI 120	5	653	131	4000	100	120	137	IP40/20	IK02	100000
2060508	ASCENT 100 II ARCH 650 4K DALI EMG 120	7	630	90	4000	100	120	137	IP65/20	IK02	100000
2060510	ASCENT 100 II ARCH 900 3K STD 120	8	900	113	3000	150	120	137	IP40/20	IK02	100000
2060511	ASCENT 100 II ARCH 900 3K STD EMG 120	10	900	90	3000	150	120	137	IP40/20	IK02	100000
2060512	ASCENT 100 II ARCH 900 3K DALI 120	8	900	113	3000	150	120	137	IP40/20	IK02	100000
2060513	ASCENT 100 II ARCH 900 3K DALI EMG 120	10	900	90	3000	150	120	137	IP40/20	IK02	100000
2060515	ASCENT 100 II ARCH 900 4K STD 120	8	931	116	4000	150	120	137	IP40/20	IK02	100000
2060516	ASCENT 100 II ARCH 900 4K STD EMG 120	10	931	93	4000	150	120	137	IP40/20	IK02	100000
2060517	ASCENT 100 II ARCH 900 4K DALI 120	8	931	116	4000	150	120	137	IP40/20	IK02	100000
2060518	ASCENT 100 II ARCH 900 4K DALI EMG 120	10	931	93	4000	150	120	137	IP40/20	IK02	100000
2060520	ASCENT 100 II ARCH 1200 3K STD 120	10	1160	116	3000	200	120	137	IP40/20	IK02	100000
2060521	ASCENT 100 II ARCH 1200 3K STD EMG 120	12	1160	97	3000	200	120	137	IP40/20	IK02	100000
2060522	ASCENT 100 II ARCH 1200 3K DALI 120	10	1160	116	3000	200	120	137	IP40/20	IK02	100000
2060523	ASCENT 100 II ARCH 1200 3K DALI EMG 120	12	1160	97	3000	200	120	137	IP40/20	IK02	100000
2060525	ASCENT 100 II ARCH 1200 4K STD 120	10	1228	123	4000	200	120	137	IP40/20	IK02	100000
2060526	ASCENT 100 II ARCH 1200 4K STD EMG 120	12	1228	102	4000	200	120	137	IP40/20	IK02	100000
2060527	ASCENT 100 II ARCH 1200 4K DALI 120	10	1228	123	4000	200	120	137	IP40/20	IK02	100000
2060528	ASCENT 100 II ARCH 1200 4K DALI EMG 120	12	1228	102	4000	200	120	137	IP40/20	IK02	100000
2060530	ASCENT 100 II ARCH 1900 3K STD 120	16	1887	118	3000	350	120	137	IP40/20	IK02	100000
2060531	ASCENT 100 II ARCH 1900 3K STD EMG 120	19	1887	99	3000	350	120	137	IP40/20	IK02	100000
2060532	ASCENT 100 II ARCH 1900 3K DALI 120	16	1887	118	3000	350	120	137	IP40/20	IK02	100000
2060533	ASCENT 100 II ARCH 1900 3K DALI EMG 120	19	1887	99	3000	350	120	137	IP40/20	IK02	100000
2060535	ASCENT 100 II ARCH 2000 4K STD 120	16	2029	127	4000	350	120	137	IP40/20	IK02	100000
2060536	ASCENT 100 II ARCH 2000 4K STD EMG 120	19	2029	107	4000	350	120	137	IP40/20	IK02	100000
2060537	ASCENT 100 II ARCH 2000 4K DALI 120	16	2029	127	4000	350	120	137	IP40/20	IK02	100000
2060538	ASCENT 100 II ARCH 2000 4K DALI EMG 120	19	2029	107	4000	350	120	137	IP40/20	IK02	100000
2060668	ASCENT 100 II ARCH 1650 3K DALI 120 CRI90	19	1650	103	3000	350	120	137	IP40/20	IK02	100000
2060669	ASCENT 100 II ARCH 1750 4K DALI 120 CRI90	7	1650	103	3000	350	120	137	IP40/20	IK02	100000
<b>Architectural 160</b>											
2059129	ASCENT 100 II ARCHITECTURAL HO 4000K 160 Sylsmart SSC	17	1921	113	4000	700	160	178	IP40/20	IK02	60000
2060540	ASCENT 100 II ARCH 1000 3K STD 160	7	968	138	3000	150	160	178	IP40/20	IK02	100000
2060541	ASCENT 100 II ARCH 1000 3K STD EMG 160	9	968	108	3000	150	160	178	IP40/20	IK02	100000
2060542	ASCENT 100 II ARCH 1000 3K DALI 160	7	968	138	3000	150	160	178	IP40/20	IK02	100000
2060543	ASCENT 100 II ARCH 1000 3K DALI EMG 160	9	968	108	3000	150	160	178	IP40/20	IK02	100000
2060545	ASCENT 100 II ARCH 1000 4K STD 160	7	1009	144	4000	150	160	178	IP40/20	IK02	100000
2060546	ASCENT 100 II ARCH 1000 4K STD EMG 160	9	1009	112	4000	150	160	178	IP40/20	IK02	100000
2060547	ASCENT 100 II ARCH 1000 4K DALI 160	7	1009	144	4000	150	160	178	IP40/20	IK02	100000

## Product overview on page 31

Code	Description	Total System power consumption (W)	Lumen output (lm)	Efficacy (lm/W)	Colour temperature (K)	Drive current (mA)	Diameter (mm)	Cut-out (mm)	IP rating	IK rating	Lifetime (hours)
2060548	ASCENT 100 II ARCH 1000 4K DALI EMG 160	9	1009	112	4000	150	160	178	IP40/20	IK02	100000
2060550	ASCENT 100 II ARCH 1900 3K STD 160	17	1847	109	3000	300	160	178	IP40/20	IK02	100000
2060551	ASCENT 100 II ARCH 1900 3K STD EMG 160	19	1847	97	3000	300	160	178	IP40/20	IK02	100000
2060552	ASCENT 100 II ARCH 1900 3K DALI 160	17	1847	109	3000	300	160	178	IP40/20	IK02	100000
2060555	ASCENT 100 II ARCH 1900 4K STD 160	17	1921	113	4000	300	160	178	IP40/20	IK02	100000
2060556	ASCENT 100 II ARCH 1900 4K STD EMG 160	19	1921	101	4000	300	160	178	IP40/20	IK02	100000
2060557	ASCENT 100 II ARCH 1900 4K DALI 160	17	1921	113	4000	300	160	178	IP40/20	IK02	100000
2060558	ASCENT 100 II ARCH 1900 4K DALI EMG 160	19	1921	113	4000	300	160	178	IP40/20	IK02	100000
2060560	ASCENT 100 II ARCH 2700 3K STD 160	19	2649	139	3000	400	160	178	IP40/20	IK02	100000
2060561	ASCENT 100 II ARCH 2700 3K STD EMG 160	22	2649	120	3000	400	160	178	IP40/20	IK02	100000
2060562	ASCENT 100 II ARCH 2700 3K DALI 160	19	2649	139	3000	400	160	178	IP40/20	IK02	100000
2060563	ASCENT 100 II ARCH 2700 3K DALI EMG 160	22	2649	120	3000	400	160	178	IP40/20	IK02	100000
2060565	ASCENT 100 II ARCH 2700 4K STD 160	19	2767	146	4000	400	160	178	IP40/20	IK02	100000
2060566	ASCENT 100 II ARCH 2700 4K STD EMG 160	22	2767	126	4000	400	160	178	IP40/20	IK02	100000
2060567	ASCENT 100 II ARCH 2700 4K DALI 160	19	2767	146	4000	400	160	178	IP40/20	IK02	100000
2060568	ASCENT 100 II ARCH 2700 4K DALI EMG 160	22	2767	126	4000	400	160	178	IP40/20	IK02	100000
2060570	ASCENT 100 II ARCH 3600 3K STD 160	30	3548	118	3000	600	160	178	IP40/20	IK02	100000
2060571	ASCENT 100 II ARCH 3600 3K STD EMG 160	32	3548	111	3000	600	160	178	IP40/20	IK02	100000
2060572	ASCENT 100 II ARCH 3600 3K DALI 160	30	3548	118	3000	600	160	178	IP40/20	IK02	100000
2060573	ASCENT 100 II ARCH 3600 3K DALI EMG 160	32	3548	111	3000	600	160	178	IP40/20	IK02	100000
2060575	ASCENT 100 II ARCH 3700 4K STD 160	30	3766	126	4000	600	160	178	IP40/20	IK02	100000
2060576	ASCENT 100 II ARCH 3700 4K STD EMG 160	32	3766	118	4000	600	160	178	IP40/20	IK02	100000
2060577	ASCENT 100 II ARCH 3700 4K DALI 160	30	3766	126	4000	600	160	178	IP40/20	IK02	100000
2060578	ASCENT 100 II ARCH 3700 4K DALI EMG 160	32	3766	118	4000	600	160	178	IP40/20	IK02	100000
2060670	ASCENT 100 II ARCH 2150 3K DALI 160 CRI90	30	1650	103	3000	350	120	137	IP40/20	IK02	100000
2060671	ASCENT 100 II ARCH 2300 4K DALI 160 CRI90	30	1650	103	3000	350	120	137	IP40/20	IK02	100000
<b>Architectural HCL Tunable White</b>											
2060676	ASCENT 100 II ARCH 120 1300 LUMI HCL TW SSC	20	1300	65	3000	600	120	137	IP40/20	IK02	90000
2060677	ASCENT 100 II ARCH 160 2500 LUMI HCL TW SSC	35	2500	71	3000	600	160	178	IP40/20	IK02	90000
<b>Architectural HCL</b>											
2060672	ASCENT 100 II ARCH 120 1100 LUMI 3K DALI	15	1100	73	3000	300	120	137	IP40/20	IK02	93200
2060673	ASCENT 100 II ARCH 120 1200 LUMI 4K DALI	15	1200	80	4000	300	120	137	IP40/20	IK02	93200
2060674	ASCENT 100 II ARCH 160 2350 LUMI 3K DALI	31	2350	76	3000	600	160	178	IP40/20	IK02	88600
2060675	ASCENT 100 II ARCH 160 2650 LUMI 4K DALI	31	2650	85	4000	600	160	178	IP40/20	IK02	88600
<b>Architectural 160 Coloured</b>											
2060767	ASCENT 100 II ARCH 1050 4K DALI 160 BB	16	1650	103	3000	350	120	137	IP40/20	IK02	100000
2060769	ASCENT 100 II ARCH 1900 4K DALI 160 WW	16	1650	103	3000	350	120	137	IP40/20	IK02	100000
2060771	ASCENT 100 II ARCH 1900 4K DALI 160 SB	16	1650	103	3000	350	120	137	IP40/20	IK02	100000
<b>Architectural IP65</b>											
2060660	ASCENT 100 II ARCH 1825 3K IP65 DALI 120	16	1825	114	3000	350	120	137	IP65/20	IK02	100000
2060661	ASCENT 100 II ARCH 1825 3K IP65 DALI EMG 120	19	1825	96	3000	350	120	137	IP65/20	IK02	100000
2060662	ASCENT 100 II ARCH 1950 4K IP65 DALI 120	16	1950	122	4000	350	120	137	IP65/20	IK02	100000
2060663	ASCENT 100 II ARCH 1950 4K IP65 DALI EMG 120	19	1950	103	4000	350	120	137	IP65/20	IK02	100000

Code	Description	Total System power consumption (W)	Lumen output (lm)	Efficacy (lm/W)	Colour temperature (K)	Drive current (mA)	Diameter (mm)	Cut-out (mm)	IP rating	IK rating	Lifetime (hours)
2060600	ASCENT 100 II DECO 650 3K STD 120	5	638	128	3000	100	120	137	IP40/20	IK02	100000
2060601	ASCENT 100 II DECO 650 3K STD EMG 120	7	638	91	3000	100	120	137	IP40/20	IK02	100000
2060602	ASCENT 100 II DECO 650 3K DALI 120	5	638	128	3000	100	120	137	IP40/20	IK02	100000
2060603	ASCENT 100 II DECO 650 3K DALI EMG 120	7	638	91	3000	100	120	137	IP40/20	IK02	100000
2060605	ASCENT 100 II DECO 650 4K STD 120	5	653	131	3000	100	120	137	IP40/20	IK02	100000
2060606	ASCENT 100 II DECO 650 4K STD EMG 120	7	653	93	3000	100	120	137	IP40/20	IK02	100000
2060607	ASCENT 100 II DECO 650 4K DALI 120	5	653	131	3000	100	120	137	IP40/20	IK02	100000
2060608	ASCENT 100 II DECO 650 4K DALI EMG 120	7	653	93	3000	100	120	137	IP40/20	IK02	100000
2060610	ASCENT 100 II DECO 900 3K STD 120	8	900	113	3000	150	120	137	IP40/20	IK02	100000
2060611	ASCENT 100 II DECO 900 3K STD EMG 120	10	900	90	3000	150	120	137	IP40/20	IK02	100000
2060612	ASCENT 100 II DECO 900 3K DALI 120	8	900	113	3000	150	120	137	IP40/20	IK02	100000
2060613	ASCENT 100 II DECO 900 3K DALI EMG 120	10	900	90	3000	150	120	137	IP40/20	IK02	100000
2060615	ASCENT 100 II DECO 900 4K STD 120	8	931	116	3000	150	120	137	IP40/20	IK02	100000
2060616	ASCENT 100 II DECO 900 4K STD EMG 120	10	931	93	3000	150	120	137	IP40/20	IK02	100000
2060617	ASCENT 100 II DECO 900 4K DALI 120	8	931	116	3000	150	120	137	IP40/20	IK02	100000
2060618	ASCENT 100 II DECO 900 4K DALI EMG 120	10	931	93	3000	150	120	137	IP40/20	IK02	100000
2060620	ASCENT 100 II DECO 1200 3K STD 120	10	1160	116	3000	200	120	137	IP40/20	IK02	100000
2060621	ASCENT 100 II DECO 1200 3K STD EMG 120	12	1160	97	3000	200	120	137	IP40/20	IK02	100000
2060622	ASCENT 100 II DECO 1200 3K DALI 120	10	1160	116	3000	200	120	137	IP40/20	IK02	100000
2060625	ASCENT 100 II DECO 1200 4K STD 120	10	1228	123	3000	200	120	137	IP40/20	IK02	100000
2060626	ASCENT 100 II DECO 1200 4K STD EMG 120	12	1228	102	3000	200	120	137	IP40/20	IK02	100000
2060627	ASCENT 100 II DECO 1200 4K DALI 120	10	1228	123	3000	200	120	137	IP40/20	IK02	100000
2060628	ASCENT 100 II DECO 1200 4K DALI EMG 120	12	1228	102	3000	200	120	137	IP40/20	IK02	100000
<b>Decorative 160</b>											
2060630	ASCENT 100 II DECO 1000 3K STD 160	7	968	138	3000	150	120	178	IP40/20	IK02	100000
2060631	ASCENT 100 II DECO 1000 3K STD EMG 160	9	968	108	3000	150	120	178	IP40/20	IK02	100000
2060632	ASCENT 100 II DECO 1000 3K DALI 160	7	900	113	3000	150	120	178	IP40/20	IK02	100000
2060633	ASCENT 100 II DECO 1000 3K DALI EMG 160	9	900	113	3000	150	120	178	IP40/20	IK02	100000
2060635	ASCENT 100 II DECO 1000 4K STD 160	7	1009	144	4000	150	120	178	IP40/20	IK02	100000
2060636	ASCENT 100 II DECO 1000 4K STD EMG 160	9	1009	112	4000	150	120	178	IP40/20	IK02	100000
2060637	ASCENT 100 II DECO 1000 4K DALI 160	7	900	113	4000	150	120	178	IP40/20	IK02	100000
2060638	ASCENT 100 II DECO 1000 4K DALI EMG 160	9	900	113	4000	150	120	178	IP40/20	IK02	100000
2060640	ASCENT 100 II DECO 1900 3K STD 160	17	1847	109	3000	300	160	178	IP40/20	IK02	100000
2060641	ASCENT 100 II DECO 1900 3K STD EMG 160	19	1847	97	3000	300	160	178	IP40/20	IK02	100000
2060642	ASCENT 100 II DECO 1900 3K DALI 160	17	1847	109	3000	300	160	178	IP40/20	IK02	100000
2060643	ASCENT 100 II DECO 1900 3K DALI EMG 160	19	1847	97	3000	300	160	178	IP40/20	IK02	100000
2060645	ASCENT 100 II DECO 1900 4K STD 160	17	1921	113	4000	300	160	178	IP40/20	IK02	100000
2060646	ASCENT 100 II DECO 1900 4K STD EMG 160	19	1921	101	4000	300	160	178	IP40/20	IK02	100000
2060647	ASCENT 100 II DECO 1900 4K DALI 160	17	1921	113	4000	300	160	178	IP40/20	IK02	100000
2060648	ASCENT 100 II DECO 1900 4K DALI EMG 160	19	1921	101	4000	300	160	178	IP40/20	IK02	100000
2060650	ASCENT 100 II DECO 2700 3K STD 160	19	2649	139	3000	400	160	178	IP40/20	IK02	100000
2060651	ASCENT 100 II DECO 2700 3K STD EMG 160	22	2649	120	3000	400	160	178	IP40/20	IK02	100000
2060652	ASCENT 100 II DECO 2700 3K DALI 160	19	2649	139	3000	400	160	178	IP40/20	IK02	100000
2060655	ASCENT 100 II DECO 2700 4K STD 160	19	2767	146	4000	400	160	178	IP40/20	IK02	100000
2060656	ASCENT 100 II DECO 2700 4K STD EMG 160	22	2767	126	4000	400	160	178	IP40/20	IK02	100000
2060657	ASCENT 100 II DECO 2700 4K DALI 160	19	2767	146	4000	400	160	178	IP40/20	IK02	100000
2060658	ASCENT 100 II DECO 2700 4K DALI EMG 160	22	2767	126	4000	400	160	178	IP40/20	IK02	100000

### Ascent 100 II - Accessories

Code	Product Description
2028033	ASCENT 100 II IP44 CLEAR GLASS 120
2028035	ASCENT 100 II IP44 FROSTED GLASS 120
2028039	ASCENT 100 II IP44 CLEAR PC COVER 120
2028041	ASCENT 100 II IP44 OPAL PC COVER 120
2028043	ASCENT 100 II IP44 PRISMATIC PC COVER 120
2028045	ASCENT 100 II ASYMMETRICAL IP44 LENS 120
2039012	ASCENT 100 II IP54 PC COVER WHT 120
2059235	Ascent 100 II Kometa Ring 120
2028040	ASCENT 100 II IP44 CLEAR PC COVER 160
2028042	ASCENT 100 II IP44 OPAL PC COVER 160
2028044	ASCENT 100 II IP44 PRISMATIC PC COVER 160
2028046	Ascent 100 II Asym IP44 Lens 160
2059236	ASCENT 100 II KOMETA RING 160

## Ascent 150 II

### Product information

[Product overview on page 34](#)

Code	Description	Total System power consumption (W)	Lumen output (lm)	Efficacy (lm/W)	Colour temperature (K)	Drive current (mA)	Diameter (mm)	Cut-out (mm)	IP rating	IK rating	Lifetime (hours)
<b>Round - Aluminium reflector</b>											
2059340	Ascent 150 II 1100 3K STD	10	1123	112	3000	350	160	176	IP44/20	IK02	50000
2059341	Ascent 150 II 1100 3K DALI	10	1123	112	3000	350	160	176	IP44/20	IK02	50000
2059342	Ascent 150 II 1100 3K STD EM	10	1123	112	3000	350	160	176	IP44/20	IK02	50000
2059343	Ascent 150 II 1100 3K DALI EM	10	1123	112	3000	350	160	176	IP44/20	IK02	50000
2059344	Ascent 150 II 1200 4K STD	10	1215	122	4000	350	160	176	IP44/20	IK02	50000
2059345	Ascent 150 II 1200 4K DALI	10	1215	122	4000	350	160	176	IP44/20	IK02	50000
2059346	Ascent 150 II 1200 4K STD EM	10	1215	122	4000	350	160	176	IP44/20	IK02	50000
2059347	Ascent 150 II 1200 4K DALI EM	10	1215	122	4000	350	160	176	IP44/20	IK02	50000
2059348	Ascent 150 II 1600 3K STD	14	1600	114	3000	500	160	176	IP44/20	IK02	50000
2059349	Ascent 150 II 1600 3K DALI	14	1600	114	3000	500	160	176	IP44/20	IK02	50000
2059350	Ascent 150 II 1600 3K STD EM	14	1600	114	3000	500	160	176	IP44/20	IK02	50000
2059351	Ascent 150 II 1600 3K DALI EM	14	1600	114	3000	500	160	176	IP44/20	IK02	50000
2059352	Ascent 150 II 1700 4K STD	14	1738	124	4000	500	160	176	IP44/20	IK02	50000
2059353	Ascent 150 II 1700 4K DALI	14	1738	124	4000	500	160	176	IP44/20	IK02	50000
2059354	Ascent 150 II 1700 4K STD EM	14	1738	124	4000	500	160	176	IP44/20	IK02	50000
2059355	Ascent 150 II 1700 4K DALI EM	14	1738	124	4000	500	160	176	IP44/20	IK02	50000
2059356	Ascent 150 II 2200 3K STD	19	2246	118	3000	700	160	176	IP44/20	IK02	50000
2059357	Ascent 150 II 2200 3K DALI	19	2246	118	3000	700	160	176	IP44/20	IK02	50000
2059358	Ascent 150 II 2200 3K STD EM	19	2246	118	3000	700	160	176	IP44/20	IK02	50000
2059359	Ascent 150 II 2200 3K DALI EM	19	2246	118	3000	700	160	176	IP44/20	IK02	50000
2059360	Ascent 150 II 2400 4K STD	19	2414	127	4000	700	160	176	IP44/20	IK02	50000
2059361	Ascent 150 II 2400 4K DALI	19	2414	127	4000	700	160	176	IP44/20	IK02	50000
2059362	Ascent 150 II 2400 4K STD EM	19	2414	127	4000	700	160	176	IP44/20	IK02	50000
2059363	Ascent 150 II 2400 4K DALI EM	19	2414	127	4000	700	160	176	IP44/20	IK02	50000
2059364	Ascent 150 II 3200 3K STD	28	3250	116	3000	1000	160	176	IP44/20	IK02	50000
2059365	Ascent 150 II 3200 3K DALI	28	3250	116	3000	1000	160	176	IP44/20	IK02	50000
2059366	Ascent 150 II 3200 3K STD EM	28	3250	116	3000	1000	160	176	IP44/20	IK02	50000

Code	Description	Total System power consumption (W)	Lumen output (lm)	Efficacy (lm/W)	Colour temperature (K)	Drive current (mA)	Diameter (mm)	Cut-out (mm)	IP rating	IK rating	Lifetime (hours)
2059367	Ascent 150 II 3200 3K DALI EM	28	3250	116	3000	1000	160	176	IP44/20	IK02	50000
2059368	Ascent 150 II 3400 4K STD	28	3435	123	4000	1000	160	176	IP44/20	IK02	50000
2059369	Ascent 150 II 3400 4K DALI	28	3435	123	4000	1000	160	176	IP44/20	IK02	50000
2059370	Ascent 150 II 3400 4K STD EM	28	3435	123	4000	1000	160	176	IP44/20	IK02	50000
2059371	Ascent 150 II 3400 4K DALI EM	28	3435	123	4000	1000	160	176	IP44/20	IK02	50000
2698775	Ascent 150 II 3400 DALI TW	25	2000-2400	123	4000	700	160	176	IP44/20	IK02	50000
<b>Round - White Reflector</b>											
2059446	Ascent 150 II 2100 3K DALI WHT	19	2082	110	3000	700	160	176	IP44/20	IK02	50000
2059447	Ascent 150 II 3100 3K DALI WHT	28	2967	106	3000	1000	160	176	IP44/20	IK02	50000
2059448	Ascent 150 II 2100 4K DALI WHT	19	2413	127	4000	700	160	176	IP44/20	IK02	50000
2059449	Ascent 150 II 3100 4K DALI WHT	28	3403	122	4000	1000	160	176	IP44/20	IK02	50000
2059450	Ascent 150 II 3100 4K DALIEM WHT	28	3403	122	4000	1000	160	176	IP44/20	IK02	50000
<b>Square</b>											
2059380	Ascent 150 II SQ 1100 3K STD	10	1163	116	3000	350		175x175	IP44/20	IK02	50000
2059381	Ascent 150 II SQ 1100 3K DALI	10	1163	116	3000	350		175x175	IP44/20	IK02	50000
2059382	Ascent 150 II SQ 1100 3K STD EM	10	1163	116	3000	350		175x175	IP44/20	IK02	50000
2059383	Ascent 150 II SQ 1100 3K DALI EM	10	1163	116	3000	350		175x175	IP44/20	IK02	50000
2059384	Ascent 150 II SQ 1200 4K STD	10	1246	125	4000	350		175x175	IP44/20	IK02	50000
2059385	Ascent 150 II SQ 1200 4K DALI	10	1246	125	4000	350		175x175	IP44/20	IK02	50000
2059386	Ascent 150 II SQ 1200 4K STD EM	10	1246	125	4000	350		175x175	IP44/20	IK02	50000
2059387	Ascent 150 II SQ 1200 4K DALI EM	10	1246	125	4000	350		175x175	IP44/20	IK02	50000
2059388	Ascent 150 II SQ 1600 3K STD	14	1600	114	3000	500		175x175	IP44/20	IK02	50000
2059389	Ascent 150 II SQ 1600 3K DALI	14	1600	114	3000	500		175x175	IP44/20	IK02	50000
2059390	Ascent 150 II SQ 1600 3K STD EM	14	1600	114	3000	500		175x175	IP44/20	IK02	50000
2059391	Ascent 150 II SQ 1600 3K DALI EM	14	1600	114	3000	500		175x175	IP44/20	IK02	50000
2059392	Ascent 150 II SQ 1700 4K STD	14	1778	127	4000	500		175x175	IP44/20	IK02	50000
2059393	Ascent 150 II SQ 1700 4K DALI	14	1778	127	4000	500		175x175	IP44/20	IK02	50000
2059394	Ascent 150 II SQ 1700 4K STD EM	14	1778	127	4000	500		175x175	IP44/20	IK02	50000
2059395	Ascent 150 II SQ 1700 4K DALI EM	14	1778	127	4000	500		175x175	IP44/20	IK02	50000
2059396	Ascent 150 II SQ 2300 3K STD	19	2322	122	3000	700		175x175	IP44/20	IK02	50000
2059397	Ascent 150 II SQ 2300 3K DALI	19	2322	122	3000	700		175x175	IP44/20	IK02	50000
2059398	Ascent 150 II SQ 2300 3K STD EM	19	2322	122	3000	700		175x175	IP44/20	IK02	50000
2059399	Ascent 150 II SQ 2300 3K DALI EM	19	2322	122	3000	700		175x175	IP44/20	IK02	50000
2059400	Ascent 150 II SQ 2400 4K STD	19	2483	131	4000	700		175x175	IP44/20	IK02	50000
2059401	Ascent 150 II SQ 2400 4K DALI	19	2483	131	4000	700		175x175	IP44/20	IK02	50000
2059402	Ascent 150 II SQ 2400 4K STD EM	19	2483	131	4000	700		175x175	IP44/20	IK02	50000
2059403	Ascent 150 II SQ 2400 4K DALI EM	19	2483	131	4000	700		175x175	IP44/20	IK02	50000
2059404	Ascent 150 II SQ 3200 3K STD	28	3284	117	3000	1000		175x175	IP44/20	IK02	50000
2059405	Ascent 150 II SQ 3200 3K DALI	28	3284	117	3000	1000		175x175	IP44/20	IK02	50000
2059407	Ascent 150 II SQ 3200 3K DALI EM	28	3284	117	3000	1000		175x175	IP44/20	IK02	50000
2059408	Ascent 150 II SQ 3500 4K STD	28	3512	125	4000	1000		175x175	IP44/20	IK02	50000
2059409	Ascent 150 II SQ 3500 4K DALI	28	3512	125	4000	1000		175x175	IP44/20	IK02	50000
2059410	Ascent 150 II SQ 3500 4K STD EM	28	3512	125	4000	1000		175x175	IP44/20	IK02	50000
2059411	Ascent 150 II SQ 3500 4K DALI EM	28	3512	125	4000	1000		175x175	IP44/20	IK02	50000

<b>Ascent 150 II - Accessories</b>	
Code	Description
2056147	Ascent 150 II PULL UP ACCESSORY ROUND WHITE
2028034	Ascent 100/150 II IP44 CLEAR GLASS 160
2028036	Ascent 100/150 II IP44 FROST GLASS 160
2028038	Ascent 150 II SILVER BEZEL ONLY
2028549	Ascent 150 II GLASS RING + CYLINDER WHITE BEZEL
2028600	Ascent 150 II IP44 CLEAR GLASS SILVER BEZEL
2028602	Ascent 150 II IP44 ETCHED GLASS SILVER BEZEL
2028614	Ascent 150 II WHITE BEZEL ONLY
2038980	Ascent 150 II FROSTED GLASS RING WHITE BEZEL
2039013	Ascent 100/150 II IP54 PC COVER 160

## Ascent 150 II Wallwash

### Product information

### Product overview on page 35

Code	Description	Total System power consumption (W)	Lumen output (lm)	Efficacy (lm/W)	Colour temperature (K)	Drive current (mA)	Diameter (mm)	Cut-out (mm)	IP rating	IK rating	Lifetime (hours)
2059372	Ascent 150 II WW 1600 3K STD	14	1613	115	3000	500	215	235	IP44/20	IK02	50000
2059373	Ascent 150 II WW 1600 3K DALI	14	1613	115	3000	500	215	235	IP44/20	IK02	50000
2059374	Ascent 150 II WW 1700 4K STD	14	1718	123	4000	500	215	235	IP44/20	IK02	50000
2059375	Ascent 150 II WW 1700 4K DALI	14	1718	123	4000	500	215	235	IP44/20	IK02	50000
2059376	Ascent 150 II WW 3200 3K STD	28	3222	115	3000	1000	215	235	IP44/20	IK02	50000
2059377	Ascent 150 II WW 3200 3K DALI	28	3222	115	3000	1000	215	235	IP44/20	IK02	50000
2059378	Ascent 150 II WW 3400 4K STD	28	3405	122	4000	1000	215	235	IP44/20	IK02	50000
2059379	Ascent 150 II WW 3400 4K DALI	28	3405	122	4000	1000	215	235	IP44/20	IK02	50000

## Domino

### Product information

### Product overview on page 36

Item Code	Description	Reflector color	Total System power consumption (W)	Lumen output (lm)	Efficacy (lm/W)	Colour temperature (K)	Drive current (mA)	Beam angle (°)	Lifetime (hours)
2061026	Domino 1xLED 930 Black NB Trim White	Black	4	180	45	3000K	700	15°	50000
2061027	Domino 1xLED 930 Black NB Trim Black	Black	4	180	45	3000K	700	15°	50000
2061028	Domino 1xLED 930 Black NB TrimLess White	Black	4	180	45	3000K	700	15°	50000
2061029	Domino 1xLED 940 Black NB Trim White	Black	4	180	45	4000K	700	15°	50000
2061030	Domino 1xLED 940 Black NB Trim Black	Black	4	180	45	4000K	700	15°	50000
2061031	Domino 1xLED 940 Black NB TrimLess White	Black	4	180	45	4000K	700	15°	50000
2061050	Domino 1xLED 930 Black MB Trim White	Black	4	180	45	3000K	700	30°	50000
2061051	Domino 1xLED 930 Black MB Trim Black	Black	4	180	45	3000K	700	30°	50000
2061052	Domino 1xLED 930 Black MB TrimLess White	Black	4	180	45	3000K	700	30°	50000
2061053	Domino 1xLED 940 Black MB Trim White	Black	4	180	45	4000K	700	30°	50000
2061054	Domino 1xLED 940 Black MB Trim Black	Black	4	180	45	4000K	700	30°	50000
2061055	Domino 1xLED 940 Black MB TrimLess White	Black	4	180	45	4000K	700	30°	50000
2061074	Domino 2xLED 930 Black NB Trim White	Black	6	350	58	3000K	700	15°	50000
2061075	Domino 2xLED 930 Black NB Trim Black	Black	6	350	58	3000K	700	15°	50000
2061076	Domino 2xLED 930 Black NB TrimLess White	Black	6	350	58	3000K	700	15°	50000
2061077	Domino 2xLED 940 Black NB Trim White	Black	6	350	58	4000K	700	15°	50000
2061078	Domino 2xLED 940 Black NB Trim Black	Black	6	350	58	4000K	700	15°	50000
2061079	Domino 2xLED 940 Black NB TrimLess White	Black	6	350	58	4000K	700	15°	50000



Item Code	Description	Reflector color	Total System power consumption (W)	Lumen output (lm)	Efficacy (lm/W)	Colour temperature (K)	Drive current (mA)	Beam angle (°)	Lifetime (hours)
2061098	Domino 2xLED 930 Black MB Trim White	Black	6	350	58	3000K	700	30°	50000
2061099	Domino 2xLED 930 Black MB Trim Black	Black	6	350	58	3000K	700	30°	50000
2061100	Domino 2xLED 930 Black MB TrimLess White	Black	6	350	58	3000K	700	30°	50000
2061101	Domino 2xLED 940 Black MB Trim White	Black	6	350	58	4000K	700	30°	50000
2061102	Domino 2xLED 940 Black MB Trim Black	Black	6	350	58	4000K	700	30°	50000
2061103	Domino 2xLED 940 Black MB TrimLess White	Black	6	350	58	4000K	700	30°	50000
2061122	Domino 5xLED 930 Black NB Trim White	Black	13	900	69	3000K	700	15°	50000
2061123	Domino 5xLED 930 Black NB Trim Black	Black	13	900	69	3000K	700	15°	50000
2061124	Domino 5xLED 930 Black NB TrimLess White	Black	13	900	69	3000K	700	15°	50000
2061125	Domino 5xLED 940 Black NB Trim White	Black	13	900	69	4000K	700	15°	50000
2061126	Domino 5xLED 940 Black NB Trim Black	Black	13	900	69	4000K	700	15°	50000
2061127	Domino 5xLED 940 Black NB TrimLess White	Black	13	900	69	4000K	700	15°	50000
2061146	Domino 5xLED 930 Black MB Trim White	Black	13	900	69	3000K	700	30°	50000
2061147	Domino 5xLED 930 Black MB Trim Black	Black	13	900	69	3000K	700	30°	50000
2061148	Domino 5xLED 930 Black MB TrimLess White	Black	13	900	69	3000K	700	30°	50000
2061149	Domino 5xLED 940 Black MB Trim White	Black	13	900	69	4000K	700	30°	50000
2061150	Domino 5xLED 940 Black MB Trim Black	Black	13	900	69	4000K	700	30°	50000
2061151	Domino 5xLED 940 Black MB TrimLess White	Black	13	900	69	4000K	700	30°	50000
2061170	Domino 10xLED 930 Black NB Trim White	Black	23	1800	78	3000K	700	15°	50000
2061171	Domino 10xLED 930 Black NB Trim Black	Black	23	1800	78	3000K	700	15°	50000
2061172	Domino 10xLED 930 Black NB TrimLess White	Black	23	1800	78	3000K	700	15°	50000
2061173	Domino 10xLED 940 Black NB Trim White	Black	23	1800	78	4000K	700	15°	50000
2061174	Domino 10xLED 940 Black NB Trim Black	Black	23	1800	78	4000K	700	15°	50000
2061175	Domino 10xLED 940 Black NB TrimLess White	Black	23	1800	78	4000K	700	15°	50000
2061194	Domino 10xLED 930 Black MB Trim White	Black	23	1800	78	3000K	700	30°	50000
2061195	Domino 10xLED 930 Black MB Trim Black	Black	23	1800	78	3000K	700	30°	50000
2061196	Domino 10xLED 930 Black MB TrimLess White	Black	23	1800	78	3000K	700	30°	50000
2061197	Domino 10xLED 940 Black MB Trim White	Black	23	1800	78	4000K	700	30°	50000
2061198	Domino 10xLED 940 Black MB Trim Black	Black	23	1800	78	4000K	700	30°	50000
2061199	Domino 10xLED 940 Black MB TrimLess White	Black	23	1800	78	4000K	700	30°	50000
2061302	Domino 1xLED 930 Black NB Trim White DALI	Black	4	180	45	3000K	700	15°	50000
2061303	Domino 1xLED 930 Black NB Trim Black DALI	Black	4	180	45	3000K	700	15°	50000
2061305	Domino 1xLED 940 Black NB Trim White DALI	Black	4	180	45	4000K	700	15°	50000
2061306	Domino 1xLED 940 Black NB Trim Black DALI	Black	4	180	45	4000K	700	15°	50000
2061326	Domino 1xLED 930 Black MB Trim White DALI	Black	4	180	45	3000K	700	30°	50000
2061327	Domino 1xLED 930 Black MB Trim Black DALI	Black	4	180	45	3000K	700	30°	50000
2061329	Domino 1xLED 940 Black MB Trim White DALI	Black	4	180	45	4000K	700	30°	50000
2061330	Domino 1xLED 940 Black MB Trim Black DALI	Black	4	180	45	4000K	700	30°	50000
2061350	Domino 2xLED 930 Black NB Trim White DALI	Black	6	350	58	3000K	700	15°	50000
2061351	Domino 2xLED 930 Black NB Trim Black DALI	Black	6	350	58	3000K	700	15°	50000
2061353	Domino 2xLED 940 Black NB Trim White DALI	Black	6	350	58	4000K	700	15°	50000
2061354	Domino 2xLED 940 Black NB Trim Black DALI	Black	6	350	58	4000K	700	15°	50000
2061374	Domino 2xLED 930 Black MB Trim White DALI	Black	6	350	58	3000K	700	30°	50000
2061375	Domino 2xLED 930 Black MB Trim Black DALI	Black	6	350	58	3000K	700	30°	50000
2061377	Domino 2xLED 940 Black MB Trim White DALI	Black	6	350	58	4000K	700	30°	50000
2061378	Domino 2xLED 940 Black MB Trim Black DALI	Black	6	350	58	4000K	700	30°	50000
2061398	Domino 5xLED 930 Black NB Trim White DALI	Black	13	900	69	3000K	700	15°	50000
2061399	Domino 5xLED 930 Black NB Trim Black DALI	Black	13	900	69	3000K	700	15°	50000
2061401	Domino 5xLED 940 Black NB Trim White DALI	Black	13	900	69	4000K	700	15°	50000

Item Code	Description	Reflector color	Total System power consumption (W)	Lumen output (lm)	Efficacy (lm/W)	Colour temperature (K)	Drive current (mA)	Beam angle (°)	Lifetime (hours)
2061402	Domino 5xLED 940 Black NB Trim Black DALI	Black	13	900	69	4000K	700	15°	50000
2061422	Domino 5xLED 930 Black MB Trim White DALI	Black	13	900	69	3000K	700	30°	50000
2061423	Domino 5xLED 930 Black MB Trim Black DALI	Black	13	900	69	3000K	700	30°	50000
2061425	Domino 5xLED 940 Black MB Trim White DALI	Black	13	900	69	4000K	700	30°	50000
2061426	Domino 5xLED 940 Black MB Trim Black DALI	Black	13	900	69	4000K	700	30°	50000
2061446	Domino 10xLED 930 Black NB Trim White DALI	Black	23	1800	78	3000K	700	15°	50000
2061447	Domino 10xLED 930 Black NB Trim Black DALI	Black	23	1800	78	3000K	700	15°	50000
2061449	Domino 10xLED 940 Black NB Trim White DALI	Black	23	1800	78	4000K	700	15°	50000
2061450	Domino 10xLED 940 Black NB Trim Black DALI	Black	23	1800	78	4000K	700	15°	50000
2061470	Domino 10xLED 930 Black MB Trim White DALI	Black	23	1800	78	3000K	700	30°	50000
2061471	Domino 10xLED 930 Black MB Trim Black DALI	Black	23	1800	78	3000K	700	30°	50000
2061473	Domino 10xLED 940 Black MB Trim White DALI	Black	23	1800	78	4000K	700	30°	50000
2061474	Domino 10xLED 940 Black MB Trim Black DALI	Black	23	1800	78	4000K	700	30°	50000
2061056	Domino 1xLED 930 White MB Trim White	White	4	180	45	3000K	700	30°	50000
2061104	Domino 2xLED 930 White MB Trim White	White	6	350	58	3000K	700	30°	50000
2061152	Domino 5xLED 930 White MB Trim White	White	13	900	69	3000K	700	30°	50000
2061200	Domino 10xLED 930 White MB Trim White	White	23	1800	78	3000K	700	30°	50000
2061044	Domino 1xLED 930 Gold MB Trim White	Gold	4	180	45	3000K	700	30°	50000
2061092	Domino 2xLED 930 Gold MB Trim White	Gold	6	350	58	3000K	700	30°	50000
2061140	Domino 5xLED 930 Gold MB Trim White	Gold	13	900	69	3000K	700	30°	50000
2061188	Domino 10xLED 930 Gold MB Trim White	Gold	23	1800	78	3000K	700	30°	50000
2061062	Domino 1xLED 930 Chrome MB Trim White	Chrome	4	180	45	3000K	700	30°	50000
2061110	Domino 2xLED 930 Chrome MB Trim White	Chrome	6	350	58	3000K	700	30°	50000
2061158	Domino 5xLED 930 Chrome MB Trim White	Chrome	13	900	69	3000K	700	30°	50000
2061206	Domino 10xLED 930 Chrome MB Trim White	Chrome	23	1800	78	3000K	700	30°	50000
2061278	Domino 5xLED 930 Opal WB Trim White	Opal	13	900	69	3000K	700	110°	50000
2061279	Domino 5xLED 930 Opal WB Trim Black	Opal	13	900	69	3000K	700	110°	50000
2061280	Domino 5xLED 930 Opal WB TrimLess White	Opal	13	900	69	3000K	700	110°	50000
2061281	Domino 5xLED 940 Opal WB Trim White	Opal	13	900	69	4000K	700	110°	50000
2061282	Domino 5xLED 940 Opal WB Trim Black	Opal	13	900	69	4000K	700	110°	50000
2061283	Domino 5xLED 940 Opal WB TrimLess White	Opal	13	900	69	4000K	700	110°	50000
2061284	Domino 10xLED 930 Opal WB Trim White	Opal	23	1800	78	3000K	700	110°	50000
2061285	Domino 10xLED 930 Opal WB Trim Black	Opal	23	1800	78	3000K	700	110°	50000
2061286	Domino 10xLED 930 Opal WB TrimLess White	Opal	23	1800	78	3000K	700	110°	50000
2061287	Domino 10xLED 940 Opal WB Trim White	Opal	23	1800	78	4000K	700	110°	50000
2061288	Domino 10xLED 940 Opal WB Trim Black	Opal	23	1800	78	4000K	700	110°	50000
2061289	Domino 10xLED 940 Opal WB TrimLess White	Opal	23	1800	78	4000K	700	110°	50000
2061260	Domino 5xLED 930 Opal AY Trim White	Opal	13	900	69	3000K	700	ASYM	50000
2061261	Domino 5xLED 930 Opal AY Trim Black	Opal	13	900	69	3000K	700	ASYM	50000
2061262	Domino 5xLED 930 Opal AY TrimLess White	Opal	13	900	69	3000K	700	ASYM	50000
2061263	Domino 5xLED 940 Opal AY Trim White	Opal	13	900	69	4000K	700	ASYM	50000
2061264	Domino 5xLED 940 Opal AY Trim Black	Opal	13	900	69	4000K	700	ASYM	50000
2061265	Domino 5xLED 940 Opal AY TrimLess White	Opal	13	900	69	4000K	700	ASYM	50000
2061266	Domino 10xLED 930 Opal AY Trim White	Opal	23	1800	78	3000K	700	ASYM	50000
2061267	Domino 10xLED 930 Opal AY Trim Black	Opal	23	1800	78	3000K	700	ASYM	50000
2061268	Domino 10xLED 930 Opal AY TrimLess White	Opal	23	1800	78	3000K	700	ASYM	50000
2061269	Domino 10xLED 940 Opal AY Trim White	Opal	23	1800	78	4000K	700	ASYM	50000
2061270	Domino 10xLED 940 Opal AY Trim Black	Opal	23	1800	78	4000K	700	ASYM	50000
2061271	Domino 10xLED 940 Opal AY TrimLess White	Opal	23	1800	78	4000K	700	ASYM	50000

# Beacon LED & XL & XXL

## Product information

Code	Description	Total System power consumption (W)	Lumen output (lm)	Efficacy (lm/W)	Colour temperature (K)	Drive current (mA)	CRI	Beam angle (°)	Lifetime (hours)
<b>Beacon LED 3000K</b>									
2059580	Beacon 93 CRI 3K Narrow Beam L1 Black	21	1512	72	3000	500	93	12	50000
2059586	Beacon 93 CRI 3K Medium Beam L1 Black	21	1753	83	3000	500	93	38	50000
2059587	Beacon 93 CRI 3K Medium Beam L1 White	21	1753	83	3000	500	93	38	50000
2059592	Beacon 93 CRI 3K Wide Beam L1 Black	21	1700	81	3000	500	93	55	50000
2059593	Beacon 93 CRI 3K Wide Beam L1 White	21	1700	81	3000	500	93	55	50000
2059616	Beacon 93 CRI 3K Narrow Beam L3 Black	21	1512	72	3000	500	93	12	50000
2059617	Beacon 93 CRI 3K Narrow Beam L3 White	21	1512	72	3000	500	93	12	50000
2059622	Beacon 93 CRI 3K Medium Beam L3 Black	21	1753	83	3000	500	93	38	50000
2059623	Beacon 93 CRI 3K Medium Beam L3 White	21	1753	83	3000	500	93	38	50000
2059628	Beacon 93 CRI 3K Wide Beam L3 Black	21	1700	81	3000	500	93	55	50000
2059629	Beacon 93 CRI 3K Wide Beam L3 White	21	1700	81	3000	500	93	55	50000
<b>Beacon LED 3000K Switch DIM</b>									
2059583	Beacon 93 CRI 3K Narrow Beam L1 On-Board DIM White	21	1512	72	3000	500	93	12	50000
2059588	Beacon 93 CRI 3K Medium Beam L1 On-Board DIM Black	21	1753	83	3000	500	93	38	50000
2059589	Beacon 93 CRI 3K Medium Beam L1 On-Board DIM White	21	1753	83	3000	500	93	38	50000
2059594	Beacon 93 CRI 3K Wide Beam L1 On-Board DIM Black	21	1700	81	3000	500	93	55	50000
2059595	Beacon 93 CRI 3K Wide Beam L1 On-Board DIM White	21	1700	81	3000	500	93	55	50000
2059618	Beacon 93 CRI 3K Narrow Beam L3 On-Board DIM Black	21	1512	72	3000	500	93	12	50000
2059619	Beacon 93 CRI 3K Narrow Beam L3 On-Board DIM White	21	1512	72	3000	500	93	12	50000
2059624	Beacon 93 CRI 3K Medium Beam L3 On-Board DIM Black	21	1753	83	3000	500	93	38	50000
2059625	Beacon 93 CRI 3K Medium Beam L3 On-Board DIM White	21	1753	83	3000	500	93	38	50000
2059630	Beacon 93 CRI 3K Wide Beam L3 On-Board DIM Black	21	1700	81	3000	500	93	55	50000
2059631	Beacon 93 CRI 3K Wide Beam L3 On-Board DIM White	21	1700	81	3000	500	93	55	50000
<b>Beacon LED 3000K DALI</b>									
2059620	Beacon 93 CRI 3K Narrow Beam L3+DALI Black	21	1512	72	3000	500	93	12	50000
2059621	Beacon 93 CRI 3K Narrow Beam L3+DALI White	21	1512	72	3000	500	93	12	50000
2059626	Beacon 93 CRI 3K Medium Beam L3+DALI Black	21	1753	83	3000	500	93	38	50000
2059627	Beacon 93 CRI 3K Medium Beam L3+DALI White	21	1753	83	3000	500	93	38	50000
2059632	Beacon 93 CRI 3K Wide Beam L3+DALI Black	21	1700	81	3000	500	93	55	50000
2059633	Beacon 93 CRI 3K Wide Beam L3+DALI White	21	1700	81	3000	500	93	55	50000
<b>Beacon LED 4000K</b>									
2059598	Beacon 93 CRI 4K Narrow Beam L1 Black	21	1669	79	4000	500	93	12	50000
2059599	Beacon 93 CRI 4K Narrow Beam L1 White	21	1669	79	4000	500	93	12	50000
2059604	Beacon 93 CRI 4K Medium Beam L1 Black	21	1885	90	4000	500	93	38	50000
2059605	Beacon 93 CRI 4K Medium Beam L1 White	21	1885	90	4000	500	93	38	50000
2059612	Beacon 93 CRI 4K Wide Beam L1 On-Board DIM Black	21	1853	88	4000	500	93	55	50000
2059613	Beacon 93 CRI 4K Wide Beam L1 On-Board DIM White	21	1853	88	4000	500	93	55	50000
2059634	Beacon 93 CRI 4K Narrow Beam L3 Black	21	1669	79	4000	500	93	12	50000
2059635	Beacon 93 CRI 4K Narrow Beam L3 White	21	1669	79	4000	500	93	12	50000
2059640	Beacon 93 CRI 4K Medium Beam L3 Black	21	1885	90	4000	500	93	38	50000
2059641	Beacon 93 CRI 4K Medium Beam L3 White	21	1885	90	4000	500	93	38	50000
2059646	Beacon 93 CRI 4K Wide Beam L3 Black	21	1853	88	4000	500	93	55	50000
2059647	Beacon 93 CRI 4K Wide Beam L3 White	21	1853	88	4000	500	93	55	50000
<b>Beacon LED 4000K Switch DIM</b>									
2059600	Beacon 93 CRI 4K Narrow Beam L1 On-Board DIM Black	21	1669	79	4000	500	93	12	50000
2059601	Beacon 93 CRI 4K Narrow Beam L1 On-Board DIM White	21	1669	79	4000	500	93	12	50000

## Product overview on page 37

Code	Description	Total System power consumption (W)	Lumen output (lm)	Efficacy (lm/W)	Colour temperature (K)	Drive current (mA)	CRI	Beam angle (°)	Lifetime (hours)
2059606	Beacon 93 CRI 4K Medium Beam L1 On-Board DIM Black	21	1885	90	4000	500	93	38	50000
2059607	Beacon 93 CRI 4K Medium Beam L1 On-Board DIM White	21	1885	90	4000	500	93	38	50000
2059612	Beacon 93 CRI 4K Wide Beam L1 On-Board DIM Black	21	1853	88	4000	500	93	55	50000
2059613	Beacon 93 CRI 4K Wide Beam L1 On-Board DIM White	21	1853	88	4000	500	93	55	50000
2059636	Beacon 93 CRI 4K Narrow Beam L3 On-Board DIM Black	21	1669	79	4000	500	93	12	50000
2059637	Beacon 93 CRI 4K Narrow Beam L3 On-Board DIM White	21	1669	79	4000	500	93	12	50000
2059601	Beacon 93 CRI 4K Narrow Beam L1 On-Board DIM White	21	1669	79	4000	500	93	12	50000
2059642	Beacon 93 CRI 4K Medium Beam L3 On-Board DIM Black	21	1885	90	4000	500	93	38	50000
2059643	Beacon 93 CRI 4K Medium Beam L3 On-Board DIM White	21	1885	90	4000	500	93	38	50000
2059648	Beacon 93 CRI 4K Wide Beam L3 On-Board DIM Black	21	1853	88	4000	500	93	55	50000
2059649	Beacon 93 CRI 4K Wide Beam L3 On-Board DIM White	21	1853	88	4000	500	93	55	50000
<b>Beacon LED 4000K DALI</b>									
2059638	Beacon 93 CRI 4K Narrow Beam L3+DALI Black	21	1669	79	4000	500	93	12	50000
2059639	Beacon 93 CRI 4K Narrow Beam L3+DALI White	21	1669	79	4000	500	93	12	50000
2059644	Beacon 93 CRI 4K Medium Beam L3+DALI Black	21	1885	90	4000	500	93	38	50000
2059645	Beacon 93 CRI 4K Medium Beam L3+DALI White	21	1885	90	4000	500	93	38	50000
2059650	Beacon 93 CRI 4K Wide Beam L3+DALI Black	21	1853	88	4000	500	93	55	50000
2059651	Beacon 93 CRI 4K Wide Beam L3+DALI White	21	1853	88	4000	500	93	55	50000
<b>Beacon LED 3000K High Output</b>									
2059652	Beacon 85 CRI 3K Narrow Beam L1 Black	21	2013	96	3000	500	85	12	50000
2059653	Beacon 85 CRI 3K Narrow Beam L1 White	21	2013	96	3000	500	85	12	50000
2059654	Beacon 85 CRI 3K Medium Beam L1 Black	21	2269	108	3000	500	85	38	50000
2059655	Beacon 85 CRI 3K Medium Beam L1 White	21	2269	108	3000	500	85	38	50000
2059656	Beacon 85 CRI 3K Wide Beam L1 Black	21	2208	105	3000	500	85	55	50000
2059657	Beacon 85 CRI 3K Wide Beam L1 White	21	2208	105	3000	500	85	55	50000
2059664	Beacon 85 CRI 3K Narrow Beam L3 Black	21	2013	96	3000	500	85	12	50000
2059665	Beacon 85 CRI 3K Narrow Beam L3 White	21	2013	96	3000	500	85	12	50000
2059666	Beacon 85 CRI 3K Medium Beam L3 Black	21	2269	108	3000	500	85	38	50000
2059667	Beacon 85 CRI 3K Medium Beam L3 White	21	2269	108	3000	500	85	38	50000
2059668	Beacon 85 CRI 3K Wide Beam L3 Black	21	2208	105	3000	500	85	55	50000
2059669	Beacon 85 CRI 3K Wide Beam L3 White	21	2208	105	3000	500	85	55	50000
<b>Beacon LED 4000K High Output</b>									
2059658	Beacon 85 CRI 4K Narrow Beam L1 Black	21	2136	102	4000	500	85	12	50000
2059659	Beacon 85 CRI 4K Narrow Beam L1 White	21	2136	102	4000	500	85	12	50000
2059660	Beacon 85 CRI 4K Medium Beam L1 Black	21	2348	112	4000	500	85	38	50000
2059661	Beacon 85 CRI 4K Medium Beam L1 White	21	2348	112	4000	500	85	38	50000
2059662	Beacon 85 CRI 4K Wide Beam L1 Black	21	2301	110	4000	500	85	55	50000
2059663	Beacon 85 CRI 4K Wide Beam L1 White	21	2301	110	4000	500	85	55	50000
2059670	Beacon 85 CRI 4K Narrow Beam L3 Black	21	2136	102	4000	500	85	12	50000
2059671	Beacon 85 CRI 4K Narrow Beam L3 White	21	2136	102	4000	500	85	12	50000
2059672	Beacon 85 CRI 4K Medium Beam L3 Black	21	2348	112	4000	500	85	38	50000
2059673	Beacon 85 CRI 4K Medium Beam L3 White	21	2348	112	4000	500	85	38	50000
2059674	Beacon 85 CRI 4K Wide Beam L3 Black	21	2301	110	4000	500	85	55	50000
2059675	Beacon 85 CRI 4K Wide Beam L3 White	21	2301	110	4000	500	85	55	50000
<b>Beacon LED XL 3000K</b>									
2059676	Beacon XL 93 CRI 3K Narrow Beam L3 Black	33	3103	94	3000	800	93	15	50000
2059677	Beacon XL 93 CRI 3K Narrow Beam L3 White	33	3103	94	3000	800	93	15	50000
2059682	Beacon XL 93 CRI 3K Medium Beam L3 Black	33	3060	93	3000	800	93	34	50000
2059683	Beacon XL 93 CRI 3K Medium Beam L3 White	33	3060	93	3000	800	93	34	50000

Code	Description	Total System power consumption (W)	Lumen output (lm)	Efficacy (lm/W)	Colour temperature (K)	Drive current (mA)	CRI	Beam angle (°)	Lifetime (hours)
2059688	Beacon XL 93 CRI 3K Wide Beam L3 Black	33	2802	85	3000	800	93	50	50000
2059689	Beacon XL 93 CRI 3K Wide Beam L3 White	33	2802	85	3000	800	93	50	50000
<b>Switch DIM</b>									
2059678	Beacon XL 93 CRI 3K Narrow Beam L3 On-Board DIM Black	33	3103	94	3000	850	93	15	50000
2059679	Beacon XL 93 CRI 3K Narrow Beam L3 On-Board DIM White	33	3103	94	3000	850	93	15	50000
2059684	Beacon XL 93 CRI 3K Medium Beam L3 On-Board DIM Black	33	3060	93	3000	850	93	34	50000
2059685	Beacon XL 93 CRI 3K Medium Beam L3 On-Board DIM White	33	3060	93	3000	850	93	34	50000
2059690	Beacon XL 93 CRI 3K Wide Beam L3 On-Board DIM Black	33	2802	85	3000	850	93	50	50000
2059691	Beacon XL 93 CRI 3K Wide Beam L3 On-Board DIM White	33	2802	85	3000	850	93	50	50000
<b>DALI</b>									
2059680	Beacon XL 93 CRI 3K Narrow Beam L3+DALI Black	33	3103	94	3000	800	93	15	50000
2059681	Beacon XL 93 CRI 3K Narrow Beam L3+DALI White	33	3103	94	3000	800	93	15	50000
2059686	Beacon XL 93 CRI 3K Medium Beam L3+DALI Black	33	3060	93	3000	800	93	34	50000
2059687	Beacon XL 93 CRI 3K Medium Beam L3+DALI White	33	3060	93	3000	800	93	34	50000
2059692	Beacon XL 93 CRI 3K Wide Beam L3+DALI Black	33	2802	85	3000	800	93	50	50000
2059693	Beacon XL 93 CRI 3K Wide Beam L3+DALI White	33	2802	85	3000	800	93	50	50000
<b>Beacon LED XL 4000K</b>									
2059694	Beacon XL 93 CRI 4K Narrow Beam L3 Black	33	3312	100	4000	800	93	15	50000
2059695	Beacon XL 93 CRI 4K Narrow Beam L3 White	33	3312	100	4000	800	93	15	50000
2059700	Beacon XL 93 CRI 4K Medium Beam L3 Black	33	3314	100	4000	800	93	34	50000
2059701	Beacon XL 93 CRI 4K Medium Beam L3 White	33	3314	100	4000	800	93	34	50000
2059706	Beacon XL 93 CRI 4K Wide Beam L3 Black	33	3033	92	4000	800	93	50	50000
2059707	Beacon XL 93 CRI 4K Wide Beam L3 White	33	3033	92	4000	800	93	50	50000
<b>Switch DIM</b>									
2059696	Beacon XL 93 CRI 4K Narrow Beam L3 On-Board DIM Black	33	3312	100	4000	850	93	15	50000
2059697	Beacon XL 93 CRI 4K Narrow Beam L3 On-Board DIM White	33	3312	100	4000	850	93	15	50000
2059702	Beacon XL 93 CRI 4K Medium Beam L3 On-Board DIM Black	33	3314	100	4000	850	93	34	50000
2059703	Beacon XL 93 CRI 4K Medium Beam L3 On-Board DIM White	33	3314	100	4000	850	93	34	50000
2059708	Beacon XL 93 CRI 4K Wide Beam L3 On-Board DIM Black	33	3033	92	4000	850	93	50	50000
2059709	Beacon XL 93 CRI 4K Wide Beam L3 On-Board DIM White	33	3033	92	4000	850	93	50	50000
<b>DALI</b>									
2059698	Beacon XL 93 CRI 4K Narrow Beam L3+DALI Black	33	3312	100	4000	800	93	15	50000
2059699	Beacon XL 93 CRI 4K Narrow Beam L3+DALI White	33	3312	100	4000	800	93	15	50000
2059704	Beacon XL 93 CRI 4K Medium Beam L3+DALI Black	33	3314	100	4000	800	93	34	50000
2059705	Beacon XL 93 CRI 4K Medium Beam L3+DALI White	33	3314	100	4000	800	93	34	50000
2059710	Beacon XL 93 CRI 4K Wide Beam L3+DALI Black	33	3033	92	4000	800	93	50	50000
2059711	Beacon XL 93 CRI 4K Wide Beam L3+DALI White	33	3033	92	4000	800	93	50	50000
<b>Beacon LED XL 3000K - high output</b>									
2059712	Beacon XL 85CRI 3K Narrow Beam L3 Black	33	3805	115	3000	800	85	15	50000
2059713	Beacon XL 85CRI 3K Narrow Beam L3 White	33	3805	115	3000	800	85	15	50000
2059714	Beacon XL 85CRI 3K Medium Beam L3 Black	33	3744	113	3000	800	85	34	50000
2059715	Beacon XL 85CRI 3K Medium Beam L3 White	33	3744	113	3000	800	85	34	50000
2059716	Beacon XL 85CRI 3K Wide Beam L3 Black	33	3479	105	3000	800	85	50	50000
2059717	Beacon XL 85CRI 3K Wide Beam L3 White	33	3479	105	3000	800	85	50	50000
<b>Beacon LED XL 4000K - high output</b>									
2059718	Beacon XL 85CRI 4K Narrow Beam L3 Black	33	3911	119	4000	800	85	15	50000
2059719	Beacon XL 85CRI 4K Narrow Beam L3 White	33	3911	119	4000	800	85	15	50000
2059720	Beacon XL 85CRI 4K Medium Beam L3 Black	33	3912	119	4000	800	85	34	50000
2059721	Beacon XL 85CRI 4K Medium Beam L3 White	33	3912	119	4000	800	85	34	50000

Code	Description	Total System power consumption (W)	Lumen output (lm)	Efficacy (lm/W)	Colour temperature (K)	Drive current (mA)	CRI	Beam angle (°)	Lifetime (hours)
2059722	Beacon XL 85CRI 4K Wide Beam L3 Black	33	3682	112	4000	800	85	50	50000
2059723	Beacon XL 85CRI 4K Wide Beam L3 White	33	3682	112	4000	800	85	50	50000
<b>Beacon LED XXL 3000K</b>									
2092990	Beacon XXL Narrow Beam 3K L3 Black	48	3713	77.35	3000	1200	93	21	50000
2092991	Beacon XXL Narrow Beam 3K L3 White	48	3713	77.35	3000	1200	93	21	50000
2093004	Beacon XXL Medium Beam 3K L3 Black	48	3670	76.46	3000	1200	93	50	50000
2093005	Beacon XXL Medium Beam 3K L3 White	48	3670	76.46	3000	1200	93	50	50000
2093018	Beacon XXL Wide Beam 3K L3 Black	48	4355	90.73	3000	1200	93	67	50000
2093019	Beacon XXL Wide Beam 3K L3 White	48	4355	90.73	3000	1200	93	67	50000
<b>Swith DIM</b>									
2092992	Beacon XXL Narrow Beam On-Board DIM 3K L3 Black	48	3713	77.35	3000	1200	93	21	50000
2092993	Beacon XXL Narrow Beam On-Board DIM 3K L3 White	48	3713	77.35	3000	1200	93	21	50000
2093006	Beacon XXL Medium Beam On-Board DIM 3K L3 Black	48	3670	76.46	3000	1200	93	50	50000
2093007	Beacon XXL Medium Beam On-Board DIM 3K L3 White	48	3670	76.46	3000	1200	93	50	50000
2093020	Beacon XXL Wide Beam On-Board DIM 3K L3 Black	48	4355	90.73	3000	1200	93	67	50000
2093021	Beacon XXL Wide Beam On-Board DIM 3K L3 White	48	4355	90.73	3000	1200	93	67	50000
<b>DALI</b>									
2092994	Beacon XXL Narrow Beam DALI 3K L3 Black	48	3713	77.35	3000	1200	93	21	50000
2092995	Beacon XXL Narrow Beam DALI 3K L3 White	48	3713	77.35	3000	1200	93	21	50000
2093008	Beacon XXL Medium Beam DALI 3K L3 Black	48	3670	76.46	3000	1200	93	50	50000
2093009	Beacon XXL Medium Beam DALI 3K L3 White	48	3670	76.46	3000	1200	93	50	50000
2093022	Beacon XXL Wide Beam DALI 3K L3 Black	48	4355	90.73	3000	1200	93	67	50000
2093023	Beacon XXL Wide Beam DALI 3K L3 White	48	4355	90.73	3000	1200	93	67	50000
<b>Beacon LED XXL 4000K</b>									
2093032	Beacon XXL Narrow Beam 4K L3 Black	48	4181	87.1	4000	1200	93	21	50000
2093033	Beacon XXL Narrow Beam 4K L3 White	48	4181	87.1	4000	1200	93	21	50000
2093046	Beacon XXL Medium Beam 4K L3 Black	48	4179	87.06	4000	1200	93	50	50000
2093047	Beacon XXL Medium Beam 4K L3 White	48	4179	87.06	4000	1200	93	50	50000
2093060	Beacon XXL Wide Beam 4K L3 Black	48	4884	101.75	4000	1200	93	67	50000
2093061	Beacon XXL Wide Beam 4K L3 White	48	4884	101.75	4000	1200	93	67	50000
<b>Switch DIM</b>									
2093034	Beacon XXL Narrow Beam On-Board DIM 4K L3 Black	48	4181	87.1	4000	1200	93	21	50000
2093035	Beacon XXL Narrow Beam On-Board DIM 4K L3 White	48	4181	87.1	4000	1200	93	21	50000
2093048	Beacon XXL Medium Beam On-Board DIM 4K L3 Black	48	4179	87.06	4000	1200	93	50	50000
2093049	Beacon XXL Medium Beam On-Board DIM 4K L3 White	48	4179	87.06	4000	1200	93	50	50000
2093062	Beacon XXL Wide Beam On-Board DIM 4K L3 Black	48	4884	101.75	4000	1200	93	67	50000
2093063	Beacon XXL Wide Beam On-Board DIM 4K L3 White	48	4884	101.75	4000	1200	93	67	50000
<b>DALI</b>									
2093036	Beacon XXL Narrow Beam DALI 4K L3 Black	48	4181	87.1	4000	1200	93	21	50000
2093037	Beacon XXL Narrow Beam DALI 4K L3 White	48	4181	87.1	4000	1200	93	21	50000
2093050	Beacon XXL Medium Beam DALI 4K L3 Black	48	4179	87.06	4000	1200	93	50	50000
2093051	Beacon XXL Medium Beam DALI 4K L3 White	48	4179	87.06	4000	1200	93	50	50000
2093064	Beacon XXL Wide Beam DALI 4K L3 Black	48	4884	101.75	4000	1200	93	67	50000
2093065	Beacon XXL Wide Beam DALI 4K L3 White	48	4884	101.75	4000	1200	93	67	50000
<b>Beacon LED XL 3000K - high output</b>									
2059307	Beacon XXL Narrow Beam HO 3K L3 Black	48	4351	90.65	3000	1200	85	21	50000
2059308	Beacon XXL Narrow Beam HO 3K L3 White	48	4351	90.65	3000	1200	85	21	50000
2059311	Beacon XXL Medium Beam HO 3K L3 Black	48	4269	88.94	3000	1200	85	50	50000
2059312	Beacon XXL Medium Beam HO 3K L3 White	48	4269	88.94	3000	1200	85	50	50000

Code	Description	Total System power consumption (W)	Lumen output (lm)	Efficacy (lm/W)	Colour temperature (K)	Drive current (mA)	CRI	Beam angle (°)	Lifetime (hours)
2059315	Beacon XXL Wide Beam HO 3K L3 Black	48	5118	106.62	3000	1200	85	67	50000
2059316	Beacon XXL Wide Beam HO 3K L3 White	48	5118	106.62	3000	1200	85	67	50000
<b>Beacon LED XL 4000K - high output</b>									
2059309	Beacon XXL Narrow Beam HO 4K L3 Black	48	5128	106.83	4000	1200	85	21	50000
2059310	Beacon XXL Narrow Beam HO 4K L3 White	48	5128	106.83	4000	1200	85	21	50000
2059313	Beacon XXL Medium Beam HO 4K L3 Black	48	4884	101.75	4000	1200	85	50	50000
2059314	Beacon XXL Medium Beam HO 4K L3 White	48	4884	101.75	4000	1200	85	50	50000
2059317	Beacon XXL Wide Beam HO 4K L3 Black	48	5762	120.04	4000	1200	85	67	50000
2059318	Beacon XXL Wide Beam HO 4K L3 White	48	5762	120.04	4000	1200	85	67	50000

## Beacon LED Accent & XL

### Product information

Product overview on page 40

Code	Description	Total System power consumption (W)	Lumen output (lm)	Efficacy (lm/W)	Colour temperature (K)	Drive current (mA)	CRI	Beam angle (°)	Lifetime (hours)
<b>Beacon LED Accent</b>									
<b>3000K - Lytespan 1</b>									
2059544	Beacon Accent 97CRI 3K Narrow Beam L1 On-Board DIM Black	21	503	24	3000	500	97	10	50000
2059545	Beacon Accent 97CRI 3K Narrow Beam L1 On-Board DIM White	21	503	24	3000	500	169	10	50000
2059546	Beacon Accent 97CRI 3K Medium Beam L1 On-Board DIM Black	21	1410	67	3000	500	169	37	50000
2059547	Beacon Accent 97CRI 3K Medium Beam L1 On-Board DIM White	21	1410	67	3000	500	169	37	50000
2059548	Beacon Accent 97CRI 3K Wide Beam L1 On-Board DIM Black	21	1451	69	3000	500	169	52	50000
2059549	Beacon Accent 97CRI 3K Wide Beam L1 On-Board DIM White	21	1451	69	3000	500	169	52	50000
<b>3000K - Lytespan 3</b>									
2059556	Beacon Accent 97CRI 3K Narrow Beam L3 On-Board DIM Black	21	503	24	3000	500	190	10	50000
2059557	Beacon Accent 97CRI 3K Narrow Beam L3 On-Board DIM White	21	503	24	3000	500	190	10	50000
2059558	Beacon Accent 97CRI 3K Medium Beam L3 On-Board DIM Black	21	1410	67	3000	500	190	37	50000
2059559	Beacon Accent 97CRI 3K Medium Beam L3 On-Board DIM White	21	1410	67	3000	500	190	37	50000
2059560	Beacon Accent 97CRI 3K Wide Beam L3 On-Board DIM Black	21	1451	69	3000	500	190	52	50000
2059561	Beacon Accent 97CRI 3K Wide Beam L3 On-Board DIM White	21	1451	69	3000	500	190	52	50000
<b>4000K - Lytespan 1</b>									
2059550	Beacon Accent 97CRI 4K Narrow Beam L1 On-Board DIM Black	21	576	27	4000	500	169	10	50000
2059551	Beacon Accent 97CRI 4K Narrow Beam L1 On-Board DIM White	21	576	27	4000	500	169	10	50000
2059552	Beacon Accent 97CRI 4K Medium Beam L1 On-Board DIM Black	21	1528	73	4000	500	169	37	50000
2059553	Beacon Accent 97CRI 4K Medium Beam L1 On-Board DIM White	21	1528	73	4000	500	169	37	50000
2059554	Beacon Accent 97CRI 4K Wide Beam L1 On-Board DIM Black	21	1578	75	4000	500	169	52	50000
2059555	Beacon Accent 97CRI 4K Wide Beam L1 On-Board DIM White	21	1578	75	4000	500	169	52	50000
<b>4000K - Lytespan 3</b>									
2059562	Beacon Accent 97CRI 4K Narrow Beam L3 On-Board DIM Black	21	576	27	4000	500	190	10	50000
2059563	Beacon Accent 97CRI 4K Narrow Beam L3 On-Board DIM White	21	576	27	4000	500	190	10	50000
2059564	Beacon Accent 97CRI 4K Medium Beam L3 On-Board DIM Black	21	1528	73	4000	500	190	37	50000
2059565	Beacon Accent 97CRI 4K Medium Beam L3 On-Board DIM White	21	1528	73	4000	500	190	37	50000
2059566	Beacon Accent 97CRI 4K Wide Beam L3 On-Board DIM Black	21	1578	75	4000	500	190	52	50000
2059567	Beacon Accent 97CRI 4K Wide Beam L3 On-Board DIM White	21	1578	75	4000	500	190	52	50000
<b>Beacon LED XL Accent</b>									
<b>3000K - Lytespan 3</b>									
2059568	Beacon XL Accent 97CRI 3K Narrow Beam L3 On-Board DIM Black	33	1675	51	3000	850	205	14	50000
2059569	Beacon XL Accent 97CRI 3K Narrow Beam L3 On-Board DIM White	33	1675	51	3000	850	205	14	50000

Code	Description	Total System power consumption (W)	Lumen output (lm)	Efficacy (lm/W)	Colour temperature (K)	Drive current (mA)	CRI	Beam angle (°)	Lifetime (hours)
2059570	Beacon XL Accent 97CRI 3K Medium Beam L3 On-Board DIM Black	33	2428	74	3000	850	205	33	50000
2059571	Beacon XL Accent 97CRI 3K Medium Beam L3 On-Board DIM White	33	2428	74	3000	850	205	33	50000
2059572	Beacon XL Accent 97CRI 3K Wide Beam L3 On-Board DIM Black	33	2275	69	3000	850	205	44	50000
2059573	Beacon XL Accent 97CRI 3K Wide Beam L3 On-Board DIM White	33	2275	69	3000	850	205	44	50000
<b>4000K - Lytespan 3</b>									
2059574	Beacon XL Accent 97CRI 4K Medium Beam L3 On-Board DIM Black	33	2668	80.84	4000	850	205	33	50000
2059575	Beacon XL Accent 97CRI 4K Medium Beam L3 On-Board DIM White	33	2668	80.84	4000	850	205	33	50000
2059576	Beacon XL Accent 97CRI 4K Narrow Beam L3 On-Board DIM Black	33	1827	55.36	4000	850	205	14	50000
2059577	Beacon XL Accent 97CRI 4K Narrow Beam L3 On-Board DIM White	33	1827	55.36	4000	850	205	14	50000
2059578	Beacon XL Accent 97CRI 4K Wide Beam L3 On-Board DIM Black	33	2478	75.09	4000	850	205	44	50000
2059579	Beacon XL Accent 97CRI 4K Wide Beam L3 On-Board DIM White	33	2478	75.09	4000	850	205	44	50000

## Beacon LED Muse & XL

### Product information

Product overview on page 42

Code	Description	Total System power consumption (W)	Lumen output (lm)	Efficacy (lm/W)	Colour temperature (K)	Drive current (mA)	CRI	Beam angle (°)	Lifetime (hours)
<b>Beacon LED Muse II 3000K - Lytespan 1</b>									
2059730	Beacon LED Muse II 97CRI 3000K L1 Trailing Edge Black	21	553/1081	52	3000	500	97	8°- 55°	50000
2059731	Beacon LED Muse II 97CRI 3000K L1 Trailing Edge White	21	553/1081	52	3000	500	97	8°- 55°	50000
2059732	Beacon LED Muse II 97CRI 3000K L1 On-Board DIM Black	21	553/1081	52	3000	500	97	8°- 55°	50000
2059733	Beacon LED Muse II 97CRI 3000K L1 On-Board DIM White	21	553/1081	52	3000	500	97	8°- 55°	50000
2059734	Beacon LED Muse II 97CRI 3000K L1 SSC01 Black	21	553/1081	52	3000	500	97	8°- 55°	50000
2059735	Beacon LED Muse II 97CRI 3000K L1 SSC01 White	21	553/1081	52	3000	500	97	8°- 55°	50000
<b>Beacon LED Muse II 3000K - Lytespan 3</b>									
2059742	Beacon LED Muse II 97CRI 3000K L3 Trailing Edge Black	21	553/1081	52	3000	500	97	8°- 55°	50000
2059743	Beacon LED Muse II 97CRI 3000K L3 Trailing Edge White	21	553/1081	52	3000	500	97	8°- 55°	50000
2059744	Beacon LED Muse II 97CRI 3000K L3 On-Board DIM Black	21	553/1081	52	3000	500	97	8°- 55°	50000
2059745	Beacon LED Muse II 97CRI 3000K L3 On-Board DIM White	21	553/1081	52	3000	500	97	8°- 55°	50000
2059746	Beacon LED Muse II 97CRI 3000K L3+DALI Black	21	553/1081	52	3000	500	97	8°- 55°	50000
2059747	Beacon LED Muse II 97CRI 3000K L3+DALI White	21	553/1081	52	3000	500	97	8°- 55°	50000
2059748	Beacon LED Muse II 97CRI 3000K L3 SSC01 Black	21	553/1081	52	3000	500	97	8°- 55°	50000
2059749	Beacon LED Muse II 97CRI 3000K L3 SSC01 White	21	553/1081	52	3000	500	97	8°- 55°	50000
<b>Beacon LED Muse II 4000K - Lytespan 1</b>									
2059736	Beacon LED Muse II 97CRI 4000K L1 Trailing Edge Black	21	623/1150	55	4000	500	97	8°- 55°	50000
2059737	Beacon LED Muse II 97CRI 4000K L1 Trailing Edge White	21	623/1150	55	4000	500	97	8°- 55°	50000
2059738	Beacon LED Muse II 97CRI 4000K L1 On-Board DIM Black	21	623/1150	55	4000	500	97	8°- 55°	50000
2059739	Beacon LED Muse II 97CRI 4000K L1 On-Board DIM White	21	623/1150	55	4000	500	97	8°- 55°	50000
2059740	Beacon LED Muse II 97CRI 4000K L1 SSC01 Black	21	623/1150	55	4000	500	97	8°- 55°	50000
2059741	Beacon LED Muse II 97CRI 4000K L1 SSC01 White	21	623/1150	55	4000	500	97	8°- 55°	50000
<b>Beacon LED Muse II 4000K - Lytespan 3</b>									
2059750	Beacon LED Muse II 97CRI 4000K L3 Trailing Edge Black	21	623/1150	55	4000	500	97	8°- 55°	50000
2059751	Beacon LED Muse II 97CRI 4000K L3 Trailing Edge White	21	623/1150	55	4000	500	97	8°- 55°	50000
2059752	Beacon LED Muse II 97CRI 4000K L3 On-Board DIM Black	21	623/1150	55	4000	500	97	8°- 55°	50000
2059753	Beacon LED Muse II 97CRI 4000K L3 On-Board DIM White	21	623/1150	55	4000	500	97	8°- 55°	50000
2059754	Beacon LED Muse II 97CRI 4000K L3+DALI Black	21	623/1150	55	4000	500	97	8°- 55°	50000
2059755	Beacon LED Muse II 97CRI 4000K L3+DALI White	21	623/1150	55	4000	500	97	8°- 55°	50000
2059756	Beacon LED Muse II 97CRI 4000K L3 SSC01 Black	21	623/1150	55	4000	500	97	8°- 55°	50000
2059757	Beacon LED Muse II 97CRI 4000K L3 SSC01 White	21	623/1150	55	4000	500	97	8°- 55°	50000

Code	Description	Total System power consumption (W)	Lumen output (lm)	Efficacy (lm/W)	Colour temperature (K)	Drive current (mA)	CRI	Beam angle (°)	Lifetime (hours)
<b>Beacon LED XL Muse 3000K</b>									
2059319	Beacon XL Muse 3K On-Board DIM L3 White	41	2544	62	3000	1050	97	10°- 70°	50000
2059320	Beacon XL Muse 3K On-Board DIM L3 Black	41	2544	62	3000	1050	97	10°- 70°	50000
2059323	Beacon XL Muse 3K DALI L3 White	41	2544	62	3000	1050	97	10°- 70°	50000
2059324	Beacon XL Muse 3K DALI L3 Black	41	2544	62	3000	1050	97	10°- 70°	50000
2059327	Beacon XL Muse 3K SSC01 L3 White	41	2544	62	3000	1050	97	10°- 70°	50000
2059328	Beacon XL Muse 3K SSC01 L3 Black	41	2544	62	3000	1050	97	10°- 70°	50000
<b>Beacon LED XL Muse 4000K</b>									
2059321	Beacon XL Muse 4K On-Board DIM L3 White	41	2884	70	4000	1050	97	10°- 70°	50000
2059322	Beacon XL Muse 4K On-Board DIM L3 Black	41	2884	70	4000	1050	97	10°- 70°	50000
2059325	Beacon XL Muse 4K DALI L3 White	41	2884	70	4000	1050	97	10°- 70°	50000
2059326	Beacon XL Muse 4K DALI L3 Black	41	2884	70	4000	1050	97	10°- 70°	50000
2059329	Beacon XL Muse 4K SSC01 L3 White	41	2884	70	4000	1050	97	10°- 70°	50000
2059330	Beacon XL Muse 4K SSC01 L3 Black	41	2884	70	4000	1050	97	10°- 70°	50000
<b>Beacon Muse Xicato®</b>									
2059776	Beacon Muse Xicato® 3500K On-Board DIM LS3 Black	20	369/641	33	3500	700	98	8°-52°	50000
2059777	Beacon Muse Xicato® 3500K On-Board DIM LS3 White	20	369/641	33	3500	700	98	8°-52°	50000
2059796	Beacon Muse Xicato® 3K On-Board DIM LS3 Black	20	338/598	30	3000	700	98	8°-52°	50000
2059797	Beacon Muse Xicato® 3K On-Board DIM LS3 White	20	338/598	30	3000	700	98	8°-52°	50000
2059798	Beacon Muse Xicato® 4K On-Board DIM LS3 Black	20	395/698	35	4000	700	98	8°-52°	50000
2059799	Beacon Muse Xicato® 4K On-Board DIM LS3 White	20	395/698	35	4000	700	98	8°-52°	50000
<b>Beacon XL Muse Xicato®</b>									
2059778	Beacon XL Muse Xicato® 3500K On-Board DIM LS3 White	35	668/1741	50	3500	1050	98	10°- 72°	50000
2059779	Beacon XL Muse Xicato® 3500K On-Board DIM LS3 Black	35	668/1741	50	3500	1050	98	10°- 72°	50000
2059896	Beacon XL Muse Xicato® 3K On-Board DIM LS3 White	35	547/1430	41	3000	1050	98	10°- 72°	50000
2059897	Beacon XL Muse Xicato® 3K On-Board DIM LS3 Black	35	547/1430	41	3000	1050	98	10°- 72°	50000
2059898	Beacon XL Muse Xicato® 4K On-Board DIM LS3 White	35	681/1697	48	4000	1050	98	10°- 72°	50000
2059899	Beacon XL Muse Xicato® 4K On-Board DIM LS3 Black	35	681/1697	48	4000	1050	98	10°- 72°	50000

## Beacon Muse Xicato & XL

### Product information

Item Code	Product Web Name	Total power consumption (W)	Fixture lumen (lm)	Luminaire efficacy lm/W	Correlated Colour Temperature (K)	Drive current (mA)	CRI	Lifetime (hours)
2059796	Beacon Muse Xicato 3K O/B DIM LS3 Black	20	338/598	30	3000	700	98	50000
2059797	Beacon Muse Xicato 3K O/B DIM LS3 White	20	338/598	30	3000	700	98	50000
2059776	Beacon Muse Xicato 3500K O/B DIM LS3 Black	20	369/641	33	3500	700	98	50000
2059777	Beacon Muse Xicato 3500K O/B DIM LS3 White	20	369/641	33	3500	700	98	50000
2059798	Beacon Muse Xicato 4K O/B DIM LS3 Black	20	395/698	35	4000	700	98	50000
2059799	Beacon Muse Xicato 4K O/B DIM LS3 White	20	395/698	35	4000	700	98	50000
2059896	Beacon XL Muse Xicato 3K O/B DIM LS3 White	35	547/1430	41	3000	1050	98	50000
2059897	Beacon XL Muse Xicato 3K O/B DIM LS3 Black	35	547/1430	41	3000	1050	98	50000
2059778	Beacon XL Muse Xicato 3500K O/B DIM LS3 White	35	668/1741	50	3500	1050	98	50000
2059779	Beacon XL Muse Xicato 3500K O/B DIM LS3 Black	35	668/1741	50	3500	1050	98	50000
2059898	Beacon XL Muse Xicato 4K O/B DIM LS3 White	35	681/1697	48	4000	1050	98	50000
2059899	Beacon XL Muse Xicato 4K O/B DIM LS3 Black	35	681/1697	48	4000	1050	98	50000

## Beacon Tune II & XL

### Product information

Product overview on page 46

Code	Description	Total System power consumption (W)	Lumen output (lm)	Efficacy (lm/W)	Colour temperature (K)	CRI	Beam angle (°)	Lifetime (hours)
<b>Beacon Muse Tune II</b>								
2059966	Beacon Muse Tune II LS3 On-Board Black	18	100/165	-	1800-6500	90	8°- 42°	35000
2059967	Beacon Muse Tune II LS3 On-Board White	18	100/165	-	1800-6500	90	8°- 42°	35000
2059968	Beacon Muse Tune II LS3 DALI Black	18	100/165	-	1800-6500	90	8°- 42°	35000
2059969	Beacon Muse Tune II LS3 DALI White	18	100/165	-	1800-6500	90	8°- 42°	35000
2059970	Beacon Muse Tune II LS3 SSC01 Black	18	100/165	-	1800-6500	90	8°- 42°	35000
2059971	Beacon Muse Tune II LS3 SSC01 White	18	100/165	-	1800-6500	90	8°- 42°	35000
<b>Beacon Tune II - Spot</b>								
2059261	Beacon Tune II Spot On-Board LS3 White	19	1008	53	1800-6500	90	27	35000
2059262	Beacon Tune II Spot On-Board LS3 Black	19	1008	53	1800-6500	90	27	35000
2059265	Beacon Tune II Spot DALI LS3 White	19	1008	53	1800-6500	90	27	35000
2059266	Beacon Tune II Spot DALI LS3 Black	19	1008	53	1800-6500	90	27	35000
2059269	Beacon Tune II Spot SSC01 LS3 White	19	1008	53	1800-6500	90	27	35000
2059270	Beacon Tune II Spot SSC01 LS3 Black	19	1008	53	1800-6500	90	27	35000
<b>Beacon Tune II - Flood</b>								
2059263	Beacon Tune II Flood On-Board LS3 White	19	840	44	1800-6500	90	45	35000
2059264	Beacon Tune II Flood On-Board LS3 Black	19	840	44	1800-6500	90	45	35000
2059267	Beacon Tune II Flood DALI LS3 White	19	840	44	1800-6500	90	45	35000
2059268	Beacon Tune II Flood DALI LS3 Black	19	840	44	1800-6500	90	45	35000
2059271	Beacon Tune II Flood SSC01 LS3 White	19	840	44	1800-6500	90	45	35000
2059272	Beacon Tune II Flood SSC01 LS3 Black	19	840	44	1800-6500	90	45	35000
<b>Beacon XL Tune II - Narrow</b>								
2059980	Beacon XL Tune II Narrow Beam On-Board LS3 White	33	2207	67	1800-6500	90	22	35000
2059981	Beacon XL Tune II Narrow Beam On-Board LS3 Black	33	2207	67	1800-6500	90	22	35000
2059982	Beacon XL Tune II Narrow Beam DALI LS3 White	33	2207	67	1800-6500	90	22	35000
2059983	Beacon XL Tune II Narrow Beam DALI LS3 Black	33	2207	67	1800-6500	90	22	35000
2059984	Beacon XL Tune II Narrow Beam SSC01 LS3 White	33	2207	67	1800-6500	90	22	35000
2059985	Beacon XL Tune II Narrow Beam SSC01 LS3 Black	33	2207	67	1800-6500	90	22	35000
<b>Beacon XL Tune II - Medium</b>								
2059986	Beacon XL Tune II Medium Beam On-Board LS3 White	33	2027	61	1800-6500	90	32	35000
2059987	Beacon XL Tune II Medium Beam On-Board LS3 Black	33	2027	61	1800-6500	90	32	35000
2059988	Beacon XL Tune II Medium Beam DALI LS3 White	33	2027	61	1800-6500	90	32	35000
2059989	Beacon XL Tune II Medium Beam DALI LS3 Black	33	2027	61	1800-6500	90	32	35000
2059990	Beacon XL Tune II Medium Beam SSC01 LS3 White	33	2027	61	1800-6500	90	32	35000
2059991	Beacon XL Tune II Medium Beam SSC01 LS3 Black	33	2027	61	1800-6500	90	32	35000
<b>Beacon XL Tune II - Wide</b>								
2059992	Beacon XL Tune II Wide Beam On-Board LS3 White	33	1773	54	1800-6500	90	39	35000
2059993	Beacon XL Tune II Wide Beam On-Board LS3 Black	33	1773	54	1800-6500	90	39	35000
2059994	Beacon XL Tune II Wide Beam DALI LS3 White	33	1773	54	1800-6500	90	39	35000
2059995	Beacon XL Tune II Wide Beam DALI LS3 Black	33	1773	54	1800-6500	90	39	35000
2059996	Beacon XL Tune II Wide Beam SSC01 LS3 White	33	1773	54	1800-6500	90	39	35000
2059997	Beacon XL Tune II Wide Beam SSC01 LS3 Black	33	1773	54	1800-6500	90	39	35000

# Beacon LED Projector

## Product information

## Product overview on page 49

Code	Description	Total System power consumption (W)	Lumen output (lm)	Efficacy (lm/W)	Colour temperature (K)	Drive current (mA)	CRI	Lifetime (hours)
<b>Beacon LED Projector - Framing - Three Circuit Track - 3000K - Swith DIM</b>								
2055956	Beacon LED Framing Projector O/B 3000K Three Circuit Track - White	35	474	14	3000	900	97	72000
2055957	Beacon LED Framing Projector O/B 3000K Three Circuit Track - Black	35	474	14	3000	900	97	72000
<b>3000K - DALI</b>								
2055964	Beacon LED Framing Projector DALI 3000K Three Circuit Track - White	35	474	14	3000	900	97	72000
2055965	Beacon LED Framing Projector DALI 3000K Three Circuit Track - Black	35	474	14	3000	900	97	72000
<b>4000K - Switch DIM</b>								
2055958	Beacon LED Framing Projector O/B 4000K Three Circuit Track - White	35	474	14	4000	900	97	72000
2055959	Beacon LED Framing Projector O/B 4000K Three Circuit Track - Black	35	474	14	4000	900	97	72000
<b>4000K - DALI</b>								
2055966	Beacon LED Framing Projector DALI 4000K Three Circuit Track - White	35	474	14	4000	900	97	72000
2055967	Beacon LED Framing Projector DALI 4000K Three Circuit Track - Black	35	474	14	4000	900	97	72000
<b>Surface Mounted</b>								
<b>3000K</b>								
2055960	Beacon LED Framing Projector O/B 3000K Surface Mounted - White	35	474	14	3000	900	97	72000
2055961	Beacon LED Framing Projector O/B 3000K Surface Mounted - Black	35	474	14	3000	900	97	72000
<b>4000K</b>								
2055962	Beacon LED Framing Projector O/B 4000K Surface Mounted - White	35	474	14	4000	900	97	72000
2055963	Beacon LED Framing Projector O/B 4000K Surface Mounted - Black	35	474	14	4000	900	97	72000
<b>Beacon LED Projector - Gobo - Three Circuit Track - 3000K - Swith DIM</b>								
2055944	Beacon LED Gobo Projector O/B 3000K Three Circuit Track - White	35	474	14	3000	900	97	72000
2055945	Beacon LED Gobo Projector O/B 3000K Three Circuit Track - Black	35	474	14	3000	900	97	72000
<b>3000K - DALI</b>								
2055952	Beacon LED Gobo Projector DALI 3000K Three Circuit Track - White	35	474	14	3000	900	97	72000
2055953	Beacon LED Gobo Projector DALI 3000K Three Circuit Track - Black	35	474	14	3000	900	97	72000
<b>4000K - Switch DIM</b>								
2055946	Beacon LED Gobo Projector O/B 4000K Three Circuit Track - White	35	474	14	4000	900	97	72000
2055947	Beacon LED Gobo Projector O/B 4000K Three Circuit Track - Black	35	474	14	4000	900	97	72000
<b>4000K - DALI</b>								
2055954	Beacon LED Gobo Projector DALI 4000K Three Circuit Track - White	35	474	14	4000	900	97	72000
2055955	Beacon LED Gobo Projector DALI 4000K Three Circuit Track - Black	35	474	14	4000	900	97	72000
<b>Surface Mounted</b>								
<b>3000K</b>								
2055948	Beacon LED Gobo Projector O/B 3000K Surface Mounted - White	35	474	14	3000	900	97	72000
2055949	Beacon LED Gobo Projector O/B 3000K Surface Mounted - Black	35	474	14	3000	900	97	72000
<b>4000K</b>								
2055950	Beacon LED Gobo Projector O/B 4000K Surface Mounted - White	35	474	14	4000	900	97	72000
2055951	Beacon LED Gobo Projector O/B 4000K Surface Mounted - Black	35	474	14	4000	900	97	72000
<b>Beacon LED Projector - Iris - Three Circuit Track - 3000K - Swith DIM</b>								
2055968	Beacon LED Iris Projector O/B 3000K Three Circuit Track - White	35	474	14	3000	900	97	72000
2055969	Beacon LED Iris Projector O/B 3000K Three Circuit Track - Black	35	474	14	3000	900	97	72000
<b>3000K - DALI</b>								
2055976	Beacon LED Iris Projector DALI 3000K Three Circuit Track - White	35	474	14	3000	900	97	72000
2055977	Beacon LED Iris Projector DALI 3000K Three Circuit Track - Black	35	474	14	3000	900	97	72000
<b>4000K - Switch DIM</b>								
2055970	Beacon LED Iris Projector O/B 4000K Three Circuit Track - White	35	474	14	4000	900	97	72000
2055971	Beacon LED Iris Projector O/B 4000K Three Circuit Track - Black	35	474	14	4000	900	97	72000

Code	Description	Total System power consumption (W)	Lumen output (lm)	Efficacy (lm/W)	Colour temperature (K)	Drive current (mA)	CRI	Lifetime (hours)
<b>4000K - DALI</b>								
2055978	Beacon LED Iris Projector DALI 4000K Three Circuit Track - White	35	474	14	4000	900	97	72000
2055979	Beacon LED Iris Projector DALI 4000K Three Circuit Track - Black	35	474	14	4000	900	97	72000
<b>Surface Mounted - 3000K</b>								
2055972	Beacon LED Iris Projector O/B 3000K Surface Mounted - White	35	474	14	3000	900	97	72000
2055973	Beacon LED Iris Projector O/B 3000K Surface Mounted - Black	35	474	14	3000	900	97	72000
<b>4000K</b>								
2055974	Beacon LED Iris Projector O/B 4000K Surface Mounted - White	35	474	14	4000	900	97	72000
2055975	Beacon LED Iris Projector O/B 4000K Surface Mounted - Black	35	474	14	4000	900	97	72000

# Beacon LED Wallwasher

## Product information

## Product overview on page 50

Code	Description	Total System power consumption (W)	Lumen output (lm)	Efficacy (lm/W)	Colour temperature (K)	Drive current (mA)	CRI	Lifetime (hours)
<b>Standard - 3000K</b>								
2059065	Beacon Wallwash LED 3K L3 Black	48	3823	80	3000	1200	93	50000
2059066	Beacon Wallwash LED 3K L3 White	48	3823	80	3000	1200	93	50000
2059067	Beacon Wallwash LED On-Board DIM 3K L3 Black	48	3823	80	3000	1200	93	50000
2059068	Beacon Wallwash LED On-Board DIM 3K L3 White	48	3823	80	3000	1200	93	50000
2059073	Beacon Wallwash LED DALI 3K L3 Black	48	3823	80	3000	1200	93	50000
2059074	Beacon Wallwash LED DALI 3K L3 White	48	3823	80	3000	1200	93	50000
<b>Standard - 4000K</b>								
2059080	Beacon Wallwash LED 4K L3 Black	48	4089	85	4000	1200	93	50000
2059081	Beacon Wallwash LED 4K L3 White	48	4089	85	4000	1200	93	50000
2059087	Beacon Wallwash LED On-Board DIM 4K L3 Black	48	4089	85	4000	1200	93	50000
2059088	Beacon Wallwash LED On-Board DIM 4K L3 White	48	4089	85	4000	1200	93	50000
2059094	Beacon Wallwash LED DALI 4K L3 Black	48	4089	85	4000	1200	93	50000
2059095	Beacon Wallwash LED DALI 4K L3 White	48	4089	85	4000	1200	93	50000
<b>High output - 3000K</b>								
2059101	Beacon Wallwash LED HO 3K L3 Black	48	4625	96	3000	1200	85	50000
2059102	Beacon Wallwash LED HO 3K L3 White	48	4625	96	3000	1200	85	50000
<b>High output - 4000K</b>								
2059108	Beacon Wallwash LED HO 4K L3 Black	48	4916	102	4000	1200	85	50000
2059109	Beacon Wallwash LED HO 4K L3 White	48	4916	102	4000	1200	85	50000

# Beacon LED Shelf

## Product information

## Product overview on page 51

Code	Description	Total System power consumption (W)	Lumen output (lm)	Efficacy (lm/W)	Colour temperature (K)	Drive current (mA)	CRI	Lifetime (hours)
<b>3000K</b>								
2093073	Beacon Shelf 3K L3 BLK	48	4091	85	3000	1200	93	50000
2093074	Beacon Shelf 3K L3 WHT	48	4091	85	3000	1200	93	50000
2093075	Beacon Shelf 3K DALI L3 BLK	48	4091	85	3000	1200	93	50000
2093076	Beacon Shelf 3K DALI L3 WHT	48	4091	85	3000	1200	93	50000

Code	Description	Total System power consumption (W)	Lumen output (lm)	Efficacy (lm/W)	Colour temperature (K)	Drive current (mA)	CRI	Lifetime (hours)
<b>4000K</b>								
2093077	Beacon Shelf 4K L3 BLK	48	4485	93	4000	1200	93	50000
2093078	Beacon Shelf 4K L3 WHT	48	4485	93	4000	1200	93	50000
2093079	Beacon Shelf 4K DALI L3 BLK	48	4485	93	4000	1200	93	50000
2093080	Beacon Shelf 4K DALI L3 WHT	48	4485	93	4000	1200	93	50000

## Lytespan

### Product information

Code	Description	Colour	Polarity ridge	Length (mm)
<b>Lytespan 1 Circuit</b>				
<b>Track Unit</b>				
2036015	Lytespan 1 single circuit - 1m - standard track unit - white	White	Universal	1000
2036016	Lytespan 1 single circuit - 2m - standard track unit - white	White	Universal	2000
2036017	Lytespan 1 single circuit - 3m - standard track unit - white	White	Universal	3000
2036018	Lytespan 1 single circuit - 1m - standard track unit - black	Black	Universal	1000
2036020	Lytespan 1 single circuit - 2m - standard track unit - black	Black	Universal	2000
2036021	Lytespan 1 single circuit - 3m - standard track unit - black	Black	Universal	3000
2046531	Lytespan 1 single circuit - 1m - standard track unit - silver	Silver	Universal	1000
2046532	Lytespan 1 single circuit - 2m - standard track unit - silver	Silver	Universal	2000
2046533	Lytespan 1 single circuit - 3m - standard track unit - silver	Silver	Universal	3000
<b>Recessed Track Unit</b>				
2036022	Lytespan 1 single circuit - 1m - recessed track unit - white	White	Universal	1000
2036023	Lytespan 1 single circuit - 2m - recessed track unit - white	White	Universal	2000
2036024	Lytespan 1 single circuit - 3m - recessed track unit - white	White	Universal	3000
<b>Starter Track</b>				
2036010	Lytespan 1 single circuit - 1m - starter track kit - white	White	Universal	1000
2036011	Lytespan 1 single circuit - 2m - starter track kit - white	White	Universal	2000
2036012	Lytespan 1 single circuit - 3m - starter track kit - white	White	Universal	3000
<b>End Cup</b>				
2007631	Lytespan 1 Display Hook			
2011283	Lytespan 1 End Cap - Black	Black		
2011345	Lytespan 1 End Cap - White	White		
2046538	Lytespan 1 End Cap - Silver	Silver		
3019550	Nanotrack / LS1 Pendant adaptor - White	White		
<b>Coupler</b>				
2011297	Lytespan 1 L Coupler - Black	Black	Universal	
2011299	Lytespan 1 T Coupler - Black	Black	Universal	
2011303	Lytespan 1 Straight Plug-in Coupler - White	White	Universal	
2011379	Lytespan 1 L Coupler - White	White	Universal	
2011381	Lytespan 1 T Coupler - White	White	Universal	
2011383	Lytespan 1 X Coupler - White	White	Universal	
2011835	Lytespan 1 Straight Plug-in Coupler - Black	Black	Universal	
2028064	Lytespan 1 Straight Plug-in Coupler - Silver	Silver	Universal	
2036027	Lytespan 1 Flexible Coupler - White	White	Universal	
2036028	Lytespan 1 Flexible Coupler - Black	Black	Universal	
2046535	Lytespan 1 L Coupler - Silver	Silver	Universal	
2046536	Lytespan 1 T Coupler - Silver	Silver	Universal	
2046539	Lytespan 1 Flexible Coupler - Silver	Silver	Universal	

Code	Description	Colour	Polarity ridge	Length (mm)
<b>Joiner Track</b>				
2036013	Lytespan 1 Single circuit - Joiner Track - 2m - White	White	Universal	2000
2036014	Lytespan 1 Single circuit - Joiner Track - 3m - White	White	Universal	3000
<b>Live Feed</b>				
2011285	Lytespan 1 Plug-in Live Feed - Black	Black		
2011305	Lytespan 1 Push-up Live Feed - White	White		
2011348	Lytespan 1 Plug-in Live Feed - White	White		
2011833	Lytespan 1 Push-up Live Feed - Black	Black		
2028063	Lytespan 1 Push-up Live Feed - Silver	Silver		
2046534	Lytespan 1 Plug-in Live Feed - Silver	Silver		
<b>Lytespan 1 LP Circuit</b>				
<b>Joiner Track</b>				
2019505	Lytespan LP single circuit - Joiner Track - 2m - White	White	Universal	2000
2019506	Lytespan LP single circuit - Joiner Track - 3m - White	White	Universal	3000
2025712	Lytespan LP single circuit - Joiner Track - 2m - Silver	Silver	Universal	2000
2025713	Lytespan LP single circuit - Joiner Track - 3m - Silver	Silver	Universal	3000
2046528	Lytespan LP single circuit - Joiner Track - 2m - Black	Black	Universal	2000
2046529	Lytespan LP single circuit - Joiner Track - 3m - Black	Black	Universal	3000
<b>Starter Track</b>				
2019502	Lytespan LP single circuit - Starter Track - 1m - White	White	Universal	1000
2019503	Lytespan LP single circuit - Starter Track - 2m - White	White	Universal	2000
2019504	Lytespan LP single circuit - Starter Track - 3m - White	White	Universal	3000
2025709	Lytespan LP single circuit - Starter Track - 1m - Silver	Silver	Universal	1000
2025710	Lytespan LP single circuit - Starter Track - 2m - Silver	Silver	Universal	2000
2025711	Lytespan LP single circuit - Starter Track - 3m - Silver	Silver	Universal	3000
2046525	Lytespan LP single circuit - Starter Track - 1m - Black	Black	Universal	1000
2046526	Lytespan LP single circuit - Starter Track - 2m - Black	Black	Universal	2000
2046527	Lytespan LP single circuit - Starter Track - 3m - Black	Black	Universal	3000
<b>Couplers</b>				
2025994	Lytespan LP Flexible Coupler - White	White	Universal	
2025995	Lytespan LP Flexible Coupler - Silver	Silver	Universal	
2046530	Lytespan LP Flexible Coupler - Black	Black	Universal	
<b>Lytespan 3</b>				
<b>Starter Track Kit</b>				
2030732	Lytespan 3 3-circuit - Starter Track - 1m - White	White	Universal	1000
2030733	Lytespan 3 3-circuit - Starter Track - 2m - White	White	Universal	2000
2030734	Lytespan 3 3-circuit - Starter Track - 3m - White	White	Universal	3000
2057410	Lytespan 3 3-circuit - Starter Track - 1m - Silver	Silver	Universal	1000
2057411	Lytespan 3 3-circuit - Starter Track - 2m - Silver	Silver	Universal	2000
2057412	Lytespan 3 3-circuit - Starter Track - 3m - Silver	Silver	Universal	3000
<b>Joiner Track Kit</b>				
2030736	Lytespan 3 3-circuit - Joiner Track - 3m - White	White	Universal	3000
<b>DALI - Track Unit</b>				
2020751	Lytespan 3 3-circuit - Standard Track - 3m - White	White	Universal	3000
2020759	Lytespan 3 3-circuit - Standard Track - 3m - Silver	Silver	Universal	3000
2020760	Lytespan 3 3-circuit - Standard Track - 1m - White	White	Universal	1000
2020761	Lytespan 3 3-circuit - Standard Track - 1m - Silver	Silver	Universal	1000
2020762	Lytespan 3 3-circuit - Standard Track - 2m - White	White	Universal	2000
2020763	Lytespan 3 3-circuit - Standard Track - 2m - Silver	Silver	Universal	2000
2025500	Lytespan 3 3-circuit - Standard Track - 1m - Black	Black	Universal	1000

Code	Description	Colour	Polarity ridge	Length (mm)
2025501	Lytespan 3 3-circuit - Standard Track - 2m - Black	Black	Universal	2000
2025502	Lytespan 3 3-circuit - Standard Track - 3m - Black	Black	Universal	3000
<b>DALI - Recessed Track Unit</b>				
2020718	Lytespan 3 3-circuit - Recessed Track - 2m - White	White	Universal	2000
2020719	Lytespan 3 3-circuit - Recessed Track - 3m - White	White	Universal	3000
2025504	Lytespan 3 3-circuit - Recessed Track - 2m - Black	Black	Universal	2000
2025505	Lytespan 3 3-circuit - Recessed Track - 3m - Black	Black	Universal	3000
<b>Pendant adaptor</b>				
2019905	Lytespan 3 Pendant Adaptor - White	White		
2019906	Lytespan 3 Pendant Adaptor - Black	Black		
<b>End cup</b>				
2020789	Lytespan 3 End Cap - White	White		
2021317	Lytespan 3 End Cap - Silver	Silver		
2025517	Lytespan 3 End Cap - Black	Black		
<b>Live end</b>				
2020790	Lytespan 3 Plug-in Live End - White	White		
2020799	Lytespan 3 Plug-in Live End for Recessed Tracks - White	White		
2021318	Lytespan 3 Plug-in Live End - Silver	Silver		
2025507	Lytespan 3 Plug-in Live End - Black	Black		
<b>Coupler</b>				
2020792	Lytespan 3 L Coupler INSIDE - White	White	Inside	
2020793	Lytespan 3 L Coupler OUTSIDE - White	White	Outside	
2020794	Lytespan 3 X Coupler - White	White	Universal	
2020795	Lytespan 3 T Coupler LEFT - White	White	Left	
2020796	Lytespan 3 T Coupler RIGHT - White	White	Right	
2020797	Lytespan 3 Straight Coupler - White	White	Universal	
2020798	Lytespan 3 Flexible Corner Coupler - White	White	Universal	
2021310	Lytespan 3 Flexible Corner Coupler - Silver	Silver	Universal	
2021311	Lytespan 3 X Coupler - Silver	Silver	Universal	
2021312	Lytespan 3 T Coupler RIGHT - Silver	Silver	Right	
2021313	Lytespan 3 T Coupler LEFT - Silver	Silver	Left	
2021314	Lytespan 3 L Coupler OUTSIDE - Silver	Silver	Outside	
2021315	Lytespan 3 L Coupler INSIDE - Silver	Silver	Inside	
2025508	Lytespan 3 Straight Coupler - Black	Black	Universal	
2025511	Lytespan 3 L Coupler INSIDE - Black	Black	Inside	
2025512	Lytespan 3 L Coupler OUTSIDE - Black	Black	Outside	
2025513	Lytespan 3 T Coupler RIGHT - Black	Black	Right	
2025514	Lytespan 3 T Coupler LEFT - Black	Black	Left	
2025515	Lytespan 3 X Coupler - Black	Black	Universal	
2025516	Lytespan 3 Flexible Corner Coupler - Black	Black	Universal	
2027542	Lytespan 3 Straight Coupler - Silver	Silver	Universal	
<b>Display hook</b>				
2025697	Lytespan 3 Display Hook - White	White		
<b>Live Feed</b>				
2027546	Lytespan 3 Push-up Live Feed LEFT - White	White	Left	
2027547	Lytespan 3 Push-up Live Feed LEFT - Silver	Silver	Left	
2027548	Lytespan 3 Push-up Live Feed LEFT - Black	Black	Left	
2027549	Lytespan 3 Push-up Live Feed RIGHT - White	White	Right	
2027550	Lytespan 3 Push-up Live Feed RIGHT - Silver	Silver	Right	
2027551	Lytespan 3 Push-up Live Feed RIGHT - Black	Black	Right	

## RTS

### Product information

### Product overview on page 56

Code	Description	Total system power consumption (W)	Lumen output (lm)	Efficacy (lm/W)	Colour temperature (K)	Drive current (mA)	CRI	Length (mm)	IP rating	IK rating	Beam angle (°)	Lifespan L70B50 (hours)
0042579	RTS 1500MM 50W 5-WIRE NR White	50W	8000	160	4,000	16	80	1500	IP20	3	30	120,000
0042581	RTS 1500MM 50W 5-WIRE WD White	50W	8000	160	4,000	16	80	1500	IP20	3	90	120,000
0042583	RTS 1500MM 50W 5-WIRE DOUBLE ASYM White	50W	8000	160	4,000	16	80	1500	IP20	3		120,000
0042585	RTS 1500MM 50W 5-WIRE LEFT ASYM White	50W	8000	160	4,000	16	80	1500	IP20	3		120,000
0042587	RTS 1500MM 50W 5-WIRE RIGHT ASYM White	50W	8000	160	4,000	16	80	1500	IP20	3		120,000
0042642	RTS 1500mm 5WIRE END RAIL WH	50W	8000	160		16	80	1500	IP20	3	30	120,000
0042643	RTS 3000mm 5WIRE END RAIL WH	50W	11200	160		16	80	3,000	IP20	3	30	120,000
0042644	RTS 1500mm 8WIRE END RAIL WH	50W	8000	160		16	80	1500	IP20	3	30	120,000
0042645	RTS 3000mm 8WIRE END RAIL WH	50W	11200	160		16	80	3,000	IP20	3	30	120,000
0042646	RTS 1500mm 12WIRE END RAIL WH	50W	8000	160		16	80	1500	IP20	3	30	120,000
0042647	RTS 3000mm 12WIRE END RAIL WH	50W	11200	160		16	80	3,000	IP20	3	30	120,000
0042604	RTS 1.5M 50W 8WIRE NR DALI 12W EM WH	50W/3W	8000/500	160	4,000	16	80	1500	IP20	3	30	120,000
0042605	RTS 1.5M 50W 8WIRE WD DALI 12W EM WH	50W/3W	8000/500	160	4,000	16	80	1500	IP20	3	90	120,000
0042580	RTS 1500MM 70W 5-WIRE NR White	70W	11200	160	4,000	16	80	1500	IP20	3	30	120,000
0042582	RTS 1500MM 70W 5-WIRE WD White	70W	11200	160	4,000	16	80	1500	IP20	3	90	120,000
0042584	RTS 1500MM 70W 5-WIRE DOUBLE ASYM White	70W	11200	160	4,000	16	80	1500	IP20	3		120,000
0042586	RTS 1500MM 70W 5-WIRE LEFT ASYM White	70W	11200	160	4,000	16	80	1500	IP20	3		120,000
0042588	RTS 1500MM 70W 5-WIRE RIGHT ASYM White	70W	11200	160	4,000	16	80	1500	IP20	3		120,000
0042593	RTS 1500MM 70W NR DALI White	70W	11200	160	4,000	16	80	1500	IP20	3	30	120,000
0042594	RTS 1500MM 70W WD DALI White	70W	11200	160	4,000	16	80	1500	IP20	3	90	120,000
0042595	RTS 1500MM 70W DOUBLE ASYM DALI White	70W	11200	160	4,000	16	80	1500	IP20	3		120,000
0042596	RTS 1500MM 70W LEFT ASYM DALI White	70W	11200	160	4,000	16	80	1500	IP20	3		120,000
0042597	RTS 1500MM 70W RIGHT ASYM DALI White	70W	11200	160	4,000	16	80	1500	IP20	3		120,000
0042602	RTS 1.5M 70W 12WIRE NR DALI CB WH	70W/10W	11200/1680	160	4,000	16	80	1500	IP20	3	30	120,000
0042603	RTS 1.5M 70W 12WIRE WD DALI CB WH	70W/70W	11200/11200	160	4,000	16	80	1500	IP20	3	90	120,000
0042575	RTS 1500MM 5-WIRE RAIL White					16		1500	IP20	3		
0042576	RTS LIVE FEED 5 WIRE					16		150	IP20	3		
0042577	RTS LIVE FEED BOX 5 WIRE					16		272.5	IP20	3		
0042578	RTS 3000MM 5-WIRE RAIL White					16		3,000	IP20	3		
0042589	RTS 1500MM 8WIRE RAIL White					16		1500	IP20	3		
0042590	RTS LIVE FEED 8 WIRE					16		150	IP20	3		
0042591	RTS LIVE FEED IN BOX 8 WIRE					16		272.5	IP20	3		
0042592	RTS 3000MM 8-WIRE RAIL White					16		3,000	IP20	3		
0042598	RTS 1500MM 12-WIRE RAIL White					16		1500	IP20	3		
0042599	RTS LIVE FEED 12 WIRE					16		150	IP20	3		
0042600	RTS LIVE FEED IN BOX 12 WIRE					16		272.5	IP20	3		
0042601	RTS 3000MM 12-WIRE RAIL White					16		3,000	IP20	3		
0042607	RTS CORNER NODE RIGHT FEED 5WIRE WH					16			IP20	3		
0042608	RTS CORNER NODE RIGHT FEED 8WIRE WH					16			IP20	3		
0042609	RTS CORNER NODE RIGHT FEED 12WIRE WH					16			IP20	3		
0042610	RTS STEEL SUSPENSION CORD 3M							3,000				
0042611	RTS STEEL SUSPENSION CHAIN 3M							3,000				
0042612	RTS STEEL SUSPENSION ROD 1M							1000				
0042613	RTS STEEL MOUNTING BRACKET											
0042614	RTS BLANK COVER 1500MM LENGTH								IP20	3		



Code	Description	Total system power consumption (W)	Lumen output (lm)	Efficacy (lm/W)	Colour temperature (K)	Drive current (mA)	CRI	Length (mm)	IP rating	IK rating	Beam angle (°)	Lifespan L70B50 (hours)
0042615	RTS CORNER NODE LEFT FEED 5WIRE WH					16			IP20	3		
0042616	RTS CORNER NODE LEFT FEED 8 WIRE WH					16			IP20	3		
0042617	RTS CORNER NODE LEFT FEED 12 WIRE WH					16			IP20	3		
0042618	RTS T NODE CONNECTOR 5 WIRES White					16			IP20	3		
0042619	RTS T NODE CONNECTOR 8 WIRES White					16			IP20	3		
0042620	RTS T NODE CONNECTOR 12 WIRES White					16			IP20	3		
0042621	RTS MOULDED END CAP White					16			N/A			
0042622	RTS TRACK RAIL MOD 1.5M WH					16			IP20	3		
0042625	END NODE TERMINAL BOX White					16			IP20	3		
0042628	MW SENSOR MOD 1.5M 8M HEIGHT					16			IP20			
0042629	MW SENSOR MODULE 15M HEIGHT					16			IP20			
0042648	RTS MOULDED END CAP S WH											
0042649	RTS STEEL HOOK & BRACKET											

## Isoline

### Product information

Code	Description	Total system power consumption (W)	Lumen output (lm)	Efficacy (lm/W)	Colour temperature (K)	Drive current (mA)	CRI	Length (mm)	IP rating	IK rating	Beam angle (°)	Lifespan L70B50 (hours)
<b>5 Wire</b>												
0042520	ISOLINE 1690MM 4K WD 5C	57	8150	143	4,000	250	80	1690	IP20	IK04	90	60,000
0042522	ISOLINE 1690MM 4K MD UGR 5C	57	8800	154	4,000	250	80	1690	IP20	IK04	60	60,000
0042524	ISOLINE 1690MM 4K DASY 5C	57	8300	146	4,000	250	80	1690	IP20	IK04	N/A	60,000
0042526	ISOLINE 1690MM 4K ASYL 5C	57	8000	140	4,000	250	80	1690	IP20	IK04	N/A	60,000
0042528	ISOLINE 1690MM 4K ASYR 5C	57	8000	140	4,000	250	80	1690	IP20	IK04	N/A	60,000
0042532	ISOLINE 1690MM BLANK UNIT 5C	N/A	N/A	N/A	4,000	N/A	80	1690	IP20	IK04	N/A	60,000
0042533	ISOLINE 3380MM 4K WD 5C	114	16300	143	4,000	250	80	3380	IP20	IK04	90	60,000
0042535	ISOLINE 3380MM 4K MD UGR 5C	114	17550	154	4,000	250	80	3380	IP20	IK04	60	60,000
0042537	ISOLINE 3380MM 4K DASY 5C	114	16500	145	4,000	250	80	3380	IP20	IK04	N/A	60,000
0042539	ISOLINE 3380MM 4K ASYL 5C	114	16000	140	4,000	250	80	3380	IP20	IK04	N/A	60,000
0042541	ISOLINE 3380MM 4K ASYR 5C	114	16000	140	4,000	250	80	3380	IP20	IK04	N/A	60,000
0042546	ISOLINE 3380MM BLANK UNIT 5C	N/A	N/A	N/A	4,000	N/A	80	3380	IP20	IK04	N/A	60,000
<b>8 Wire</b>												
0042519	ISOLINE 1690MM BLANK UNIT 8C	N/A	N/A	N/A	4,000	N/A	80	1690	IP20	IK04	N/A	N/A
0042521	ISOLINE 1690MM 4K WD DA 8C	56	8150	146	4,000	250	80	1690	IP20	IK04	90	60,000
0042523	ISOLINE 1690MM 4K MD UGR DA 8C	56	8800	157	4,000	250	80	1690	IP20	IK04	60	60,000
0042525	ISOLINE 1690MM 4K DASY DA 8C	56	8300	148	4,000	250	80	1690	IP20	IK04	N/A	60,000
0042527	ISOLINE 1690MM 4K ASYL DA 8C	56	8000	143	4,000	250	80	1690	IP20	IK04	N/A	60,000
0042529	ISOLINE 1690MM 4K ASYR DA 8C	56	8000	143	4,000	250	80	1690	IP20	IK04	N/A	60,000
0042534	ISOLINE 3380MM 4K WD DA 8C	112	16300	146	4,000	250	80	3380	IP20	IK04	90	60,000
0042536	ISOLINE 3380MM 4K MD UGR DA 8C	112	17550	157	4,000	250	80	3380	IP20	IK04	60	60,000
0042538	ISOLINE 3380MM 4K DASY DA 8C	112	16500	147	4,000	250	80	3380	IP20	IK04	N/A	60,000
0042540	ISOLINE 3380MM 4K ASYL DA 8C	112	16000	143	4,000	250	80	3380	IP20	IK04	N/A	60,000
0042542	ISOLINE 3380MM 4K ASYR DA 8C	112	16000	143	4,000	250	80	3380	IP20	IK04	N/A	60,000

Code	Description	Total system power consumption (W)	Lumen output (lm)	Efficacy (lm/W)	Colour temperature (K)	Drive current (mA)	CRI	Length (mm)	IP rating	IK rating	Beam angle (°)	Lifespan L70B50 (hours)
<b>Emergency</b>												
0042530	ISOLINE 1690MM 4K WD E3 8C	60	8150	136	4,000	250	80	1690	IP20	IK04	90	60,000
0042531	ISOLINE 1690MM 4K WD DA 8C E3	59	8150	138	4,000	250	80	1690	IP20	IK04	90	60,000
0042543	ISOLINE 3380MM 4K WD E3 8C	117	16300	139	4,000	250	80	3380	IP20	IK04	90	60,000
0042544	ISOLINE 3380MM 4K MD UGR E3 8C	117	17550	150	4,000	250	80	3380	IP20	IK04	60	60,000
0042545	ISOLINE 3380MM 4K WD DA E3 8C	115	16300	142	4,000	250	80	3380	IP20	IK04	90	60,000
0042554	ISOLINE 3380MM 4K 1.7WD 1.7BLK	57	8150	143	4,000	250	80	3380	IP20	IK04	90	60,000
0042555	ISOLINE 3380MM 4K 1.7WD 1.7BLK DA	56	8150	146	4,000	250	80	3380	IP20	IK04	90	60,000
0042556	ISOLINE 3380MM 4K 1.7 MD UGR 1.7BLK	57	8800	154	4,000	250	80	3380	IP20	IK04	60	60,000
0042557	ISOLINE 3380MM 4K 1.7 MD UGR 1.7BLK DA	56	8800	157	4,000	250	80	3380	IP20	IK04	60	60,000
0042558	ISOLINE 3380MM 4K 1.7DASY 1.7BLK	57	8300	146	4,000	250	80	3380	IP20	IK04	N/A	60,000
0042559	ISOLINE 3380MM 4K 1.7DASY 1.7BLK DA	56	8300	148	4,000	250	80	3380	IP20	IK04	N/A	60,000
0042560	ISOLINE 3380MM 4K 1.7ASY-L 1.7BLK	57	8000	140	4,000	250	80	3380	IP20	IK04	N/A	60,000
0042561	ISOLINE 3380MM 4K 1.7ASY-L 1.7BLK DA	56	8000	143	4,000	250	80	3380	IP20	IK04	N/A	60,000
0042562	ISOLINE 3380MM 4K 1.7ASYR 1.7BLK	57	8000	140	4,000	250	80	3380	IP20	IK04	N/A	60,000
0042563	ISOLINE 3380MM 4K 1.7ASYR 1.7BLK DA	56	8000	143	4,000	250	80	3380	IP20	IK04	N/A	60,000
0042564	ISOLINE 3380MM 4K 1.7WD 1.7BLK E3	60	8150	136	4,000	250	80	3380	IP20	IK04	90	60,000
0042565	ISOLINE 3380MM 4K 1.7WD 1.7BLK DA E3	59	8150	138	4,000	250	80	3380	IP20	IK04	90	60,000

### Isoline – Accessories

Code	Description
0042547	ISOLINE ACC LIVE FEED PIR
0042548	ISOLINE ACC CENTRE LIVE FEED 5/8C
0042549	ISOLINE ACC LIVE FEED 5/8C
0042550	ISOLINE ACC SUSP KIT 3m STD
0042551	ISOLINE ACC SUSP KIT PGTL HK
0042552	ISOLINE ACC SUSP KIT 3M CBL
0042553	ISOLINE 1690MM ACC DUST COVER

## START Emergency

### Product information

### Product overview on page 58

Code	Description	Total system power consumption (W)	Lumen output (lm)	Efficacy (lm/W)	Colour temperature (K)	Mounting	Duration	Mode of Operation	Testing
<b>START Emergency Bulkhead Ip65</b>									
32004	START Emergency Bulkhead Manual Test Maintained / Non Maintained 3h 170lm	3.5	170	49	5,500	Surface	3 hour	Maintained / Non Maintained	Manual
<b>START Emergency Exit</b>									
32000	START Emergency Exit Surface Manual Test Maintained 3h	0.5	-	-	-	Surface	3 hour	Maintained	Manual
32001	START Emergency Exit Surface Suspended Manual Test Maintained 3h	0.5	-	-	-	Surface Suspended	3 hour	Maintained	Manual
<b>START Emergency Spot</b>									
32002	START Emergency Spot Manual Test Non Maintained 3h Open Area	1.3	170	131	6500	Recessed	3 hour	Non Maintained	Manual
32003	START Emergency Spot Manual Test Non Maintained 3h Corridor	1.3	170	131	6500	Recessed	3 hour	Non Maintained	Manual
<b>Accessory</b>									
0059462	START Emergency Surface MOUNT								

# Sylsafe Spot

## Product information

## Product overview on page 61

Code	Description	Total system power consumption (W)	Lumen output (lm)	Efficacy (lm/W)	Colour temperature (K)	Mounting	Duration	Mode of Operation	Testing
<b>Spot RA recessed</b>									
0041720	SylSafe Spot RA R EM3 NM MS	3	160	53	6300	Recessed	3 hours	Non-Maintained	Manual
0041721	SylSafe Spot RA R EM3 NM DA	3	160	53	6300	Recessed	3 hours	Non-Maintained	Autotest/DALI
0041722	SylSafe Spot RA R EMC NM MS	3	160	53	6300	Recessed	central battery	Non-Maintained	Manual
<b>Spot HR Recessed</b>									
0041726	SylSafe Spot HR R EM3 NM MS	4	300	75	6300	Recessed	3 hours	Non-Maintained	Manual
0041727	SylSafe Spot HR R EM3 NM DA	4	300	75	6300	Recessed	3 hours	Non-Maintained	Autotest/DALI
0041728	SylSafe Spot HR R EMC NM MS	4	300	75	6300	Recessed	central battery	Non-Maintained	Manual
<b>Spot RA Surface</b>									
0041729	SylSafe Spot RA C EM3 NM MS	1.8	145	81	6300	Surface mounted	3 hours	Non-Maintained	Manual
0041730	SylSafe Spot RA C EM3 NM DA	1.8	145	81	6300	Surface mounted	3 hours	Non-Maintained	Autotest/DALI
<b>Xspot OA</b>									
0041775	SylSafe XSpot OA R EM3 NM MS	2.8	80	29	5700	Recessed	3 hours	Non-Maintained	Manual
0041776	SylSafe XSpot OA R EM3 NM DA	2.8	80	29	5700	Recessed	3 hours	Non-Maintained	Autotest/DALI
0041777	SylSafe XSpot OA R EMC NM MS	2.2	80	36	5700	Recessed	central battery	Non-Maintained	Manual

# Sylsafe Exit

## Product information

## Product overview on page 62

Code	Description	Total system power consumption (W)	Lumen output (lm)	Efficacy (lm/W)	Colour temperature (K)	Mounting	Duration	Mode of Operation	Testing
<b>EX C</b>									
0041747	SylSafe Exit EX C EM3 MT MS	2.2	-	-	5700	Surface Mounted	3 hours	Maintained	Manual
0041748	SylSafe Exit EX C EM3 MT DA	2.2	-	-	5700	Surface Mounted	3 hours	Maintained	Autotest/DALI
<b>MOD</b>									
0041749	SylSafe Exit-Mod EX R EM3 MT MS	4.9	-	-	-	Recessed	3 hours	Maintained	Manual
0041750	SylSafe Exit-Mod EX R EM3 MT DA	4.9	-	-	-	Recessed	3 hours	Maintained	Autotest/DALI
0041751	SylSafe Exit-Mod EX R EMC MT MS	1.8	-	-	-	Recessed	Central Battery	Maintained	Manual
0041752	SylSafe Exit-Mod EX S EM3 MT MS	4.9	-	-	-	Suspended	3 hours	Maintained	Manual
0041753	SylSafe Exit-Mod EX S EM3 MT DA	4.9	-	-	-	Suspended	3 hours	Maintained	Autotest/DALI
0041754	SylSafe Exit-Mod EX S EMC MT MS	1.8	-	-	-	Suspended	Central Battery	Maintained	Manual
0041755	SylSafe Exit-Mod EX V EM3 MT MS	4.9	-	-	-	Ceiling mounted	3 hours	Maintained	Manual
0041756	SylSafe Exit-Mod EX V EM3 MT DA	4.9	-	-	-	Ceiling mounted	3 hours	Maintained	Autotest/DALI
0041757	SylSafe Exit-Mod EX V EMC MT MS	1.8	-	-	-	Ceiling mounted	Central Battery	Maintained	Manual
0041758	SylSafe Exit-Mod EX 9 EM3 MT MS	4.9	-	-	-	Wall mounted	3 hours	Maintained	Manual
0041759	SylSafe Exit-Mod EX 9 EM3 MT DA	4.9	-	-	-	Wall mounted	3 hours	Maintained	Autotest/DALI
0041760	SylSafe Exit-Mod EX 9 EMC MT MS	1.8	-	-	-	Wall mounted	Central Battery	Maintained	Manual
<b>LED</b>									
9144944	SylSafe IP65 LED M3	7	135	19	4000	Surface Mounted			
9153908	SylSafe IP65 LED Recessed With Exit Sign Arrow Down	6.5	135	21		Recessed			
9154052	SylSafe IP65 LED M3 DALI/SELF TEST	7	135	19	4000	Surface Mounted			Autotest/DALI
9154091	SylSafe IP65 Arrow Down Sign								
9154269	SylSafe IP65 Arrow L/R (EC)								

Code	Description	Total system power consumption (W)	Lumen output (lm)	Efficacy (lm/W)	Colour temperature (K)	Mounting	Duration	Mode of Operation	Testing
<b>Surface and Suspended</b>									
9144466	Surface LED Exit Sign White Arrow Down				4000				
9144945	Surface LED Exit Sign Silver Arrow Down				4000				
9154174	Surface LED Exit Sign White Arrow Up				4000				
9193736	Surface LED Exit Sign Silver Arrow Up				4000				
<b>Accessories</b>									
0041772	SylSafe Exit Legend Pack EC								
0041773	SylSafe Exit Legend Pack ISO								
9144467	Wall Bracket For Exit Sign White								
9144579	Ceiling Bracket For Exit Sign White								
9144946	Wall Bracket for Exit Sign Silver								
9144947	Ceiling Bracket for Exit Sign Silver								
9154082	1m Wire Suspension Kit for Surface Exit Sign								

# Sylsafe N-Light

## Product information

## Product overview on page 64

Code	Description	Total system power consumption (W)	Mounting
0041774	N-Light Emergency Monitor	4.14	Wall recessed

# Sylsafe Bay

## Product information

## Product overview on page 65

Code	Description	Total system power consumption (W)	Lumen output (lm)	Efficacy (lm/W)	Colour temperature (K)	Mounting	Duration	Mode of Operation	Testing
0041732	SylSafe Bay HB C EM3 NM MS	3	177		5700	Surface mounted	3 hours	Non-maintained	Manual
0041733	SylSafe Bay HB C EM3 NM DA	3	177		5700	Surface mounted	3 hours	Non-maintained	Autotest/DALI
0041734	SylSafe Bay HB C EMC NM MS	3	177		5700	Surface mounted	Central battery	Non-maintained	Manual
0041735	SylSafe Bay MB C EM3 NM MS	3	200		5700	Surface mounted	3 hours	Non-maintained	Manual
0041736	SylSafe Bay MB C EM3 NM DA	3	200		5700	Surface mounted	3 hours	Non-maintained	Autotest/DALI
0041737	SylSafe Bay MB C EMC NM MS	3	200		5700	Surface mounted	Central battery	Non-maintained	Manual
0041738	SylSafe Bay OA C EM3 NM MS	3	217		5700	Surface mounted	3 hours	Non-maintained	Manual
0041739	SylSafe Bay OA C EM3 NM DA	3	217		5700	Surface mounted	3 hours	Non-maintained	Autotest/DALI
0041740	SylSafe Bay OA C EMC NM MS	3	217		5700	Surface mounted	Central battery	Non-maintained	Manual
0041741	SylSafe Bay RT C EM3 NM MS	3	200		5700	Surface mounted	3 hours	Non-maintained	Manual
0041742	SylSafe Bay RT C EM3 NM DA	3	200		5700	Surface mounted	3 hours	Non-maintained	Autotest/DALI
0041743	SylSafe Bay RT C EMC NM MS	3	200		5700	Surface mounted	Central battery	Non-maintained	Manual
0041744	SylSafe Bay ST C EM3 NM MS	3	217		5700	Surface mounted	3 hours	Non-maintained	Manual
0041745	SylSafe Bay ST C EM3 NM DA	3	217		5700	Surface mounted	3 hours	Non-maintained	Autotest/DALI
0041746	SylSafe Bay ST C EMC NM MS	3	217		5700	Surface mounted	Central battery	Non-maintained	Manual

# Sylsafe Twin

## Product information

## Product overview on page 66

Code	Description	Total system power consumption (W)	Lumen output (lm)	Efficacy (lm/W)	Colour temperature (K)	Mounting	Duration	Mode of Operation	Testing
0041769	SylSafe Twin TS C EM3 NM MS	3.23	400	124	5700	Surface mounted	3 hours	Non-maintained	Manual
0041770	SylSafe Twin TS C EM3 NM DA	3.23	400	124	5700	Surface mounted	3 hours	Non-maintained	Autotest/DALI
9193765	TWINLED 2x3W	6	-	-	5000	-	3 hours	-	-

# Routeled II

## Product information

## Product overview on page 67

Code	Description	Total system power consumption (W)	Lumen output (lm)	Efficacy (lm/W)	Colour temperature (K)	Mounting	Duration	Mode of Operation	
2059459	ROUTELED II OPEN AREA	2	219	110	5000	Recessed	3 hours	Non-Maintained	
2059460	ROUTELED II CORRIDOR	2	212	106	5000	Recessed	4 hours	Non-Maintained	
2059461	ROUTELED II OPEN AREA DALI	2	219	110	5000	Recessed	5 hours	Non-Maintained	
2059463	ROUTELED II CORRIDOR DALI	2	212	106	5000	Recessed	6 hours	Non-Maintained	
<b>Accessory</b>									
2059462	ROUTELED II Surface MOUNT ACCESSORY								

# Concord Muro

## Product information

## Product overview on page 68

Code	Description	Total System power consumption (W)	Lumen output (lm)	Efficacy (lm/W)	Colour temperature (K)	Drive current (mA)	Length (mm)	IP rating	IK rating	Lifespan L70B50 (hours)
<b>Recessed</b>										
2824200	Muro Recessed Square IP66 450lm 830 Grey	9.5	450	47	3000	300	185	IP66	IK08	90000
2824201	Muro Recessed Square IP66 470lm 840 Grey	9.2	470	51	4000	300	185	IP66	IK08	90000
2824202	Muro Recessed Rectangular IP66 420lm 830 Grey	9.5	420	44	3000	300	275	IP66	IK08	90000
2824203	Muro Recessed Rectangular IP66 450lm 840 Grey	9.2	450	49	4000	300	275	IP66	IK08	90000
<b>Surface</b>										
2824204	Muro Surface IP65 1750-3300lm 840 PH Grey	27	3300	122	4000	700	304	IP65	IK10	119000
2824205	Muro Surface IP65 1750-3300lm 840 PH E3 Grey	29	3300	114	4000	700	304	IP65	IK10	119000

# Skyline Street

## Product information

## Product overview on page 70

Code	Description	LED qty	System power (W)	System Lumen output (lm)	Efficacy (lm/W)	Light Distribution	Colour Temperature (K)	Electrical Safety Class	Voltage (V)	Lifetime (L90B50 @ 50°C)
<b>Small</b>										
0066600	Skyline Street S 1-5klm NW MR15 I 9022	24	49	5,624	115	MR15	4000 K	Class I	220 - 240V	100,000
0066601	Skyline Street S 1-5klm NW MR06 I 9022	24	49	5,547	113	MR06	4000 K	Class I	220 - 240V	100,000
0066602	Skyline Street S 1-5klm NW NR10 I 9022	24	49	5,869	120	NR10	4000 K	Class I	220 - 240V	100,000
0066618	Skyline Street S 1-5klm NW MR22 I 9022	24	49	6,115	125	MR22	4000 K	Class I	220 - 240V	100,000
0066624	Skyline Street S 1-5klm NW MR21 I 9022	24	49	5,984	122	MR21	4000 K	Class I	220 - 240V	100,000
0066627	Skyline Street S 1-5klm NW NR14 I 9022	24	49	6,030	123	NR14	4000 K	Class I	220 - 240V	100,000

Code	Description	LED qty	System power (W)	System Lumen output (lm)	Efficacy (lm/W)	Light Distribution	Colour Temperature (K)	Electrical Safety Class	Voltage (V)	Lifetime (L90B50 @ 50°C)
0066609	Skyline Street S 1-5klm NW XR18 I 9022	24	49	4,902	100	XR18	4000 K	Class I	220 - 240V	100,000
0066612	Skyline Street S 1-5klm NW WR35 I 9022	24	49	5,748	117	WR35	4000 K	Class I	220 - 240V	100,000
0066621	Skyline Street S 1-5klm NW MR20 I 9022	24	49	5,731	117	MR20	4000 K	Class I	220 - 240V	100,000

<b>Medium</b>										
0066603	Skyline Street M 5-12klm NW MR15 I 9022	48	103	12,406	120	MR15	4000 K	Class I	220 - 240V	100,000
0066604	Skyline Street M 5-12klm NW MR06 I 9022	48	103	12,106	118	MR06	4000 K	Class I	220 - 240V	100,000
0066605	Skyline Street M 5-12klm NW NR10 I 9022	48	103	12,948	126	NR10	4000 K	Class I	220 - 240V	100,000
0066619	Skyline Street M 5-12klm NW MR22 I 9022	48	103	13,166	128	MR22	4000 K	Class I	220 - 240V	100,000
0066625	Skyline Street M 5-12klm NW MR21 I 9022	48	103	12,851	125	MR21	4000 K	Class I	220 - 240V	100,000
0066628	Skyline Street M 5-12klm NW NR14 I 9022	48	103	13,025	126	NR14	4000 K	Class I	220 - 240V	100,000
0066610	Skyline Street M 5-12klm NW XR18 I 9022	48	103	10,718	104	XR18	4000 K	Class I	220 - 240V	100,000
0066613	Skyline Street M 5-12klm NW WR35 I 9022	48	103	12,245	119	WR35	4000 K	Class I	220 - 240V	100,000
0066622	Skyline Street M 5-12klm NW MR20 I 9022	48	103	12,486	121	MR20	4000 K	Class I	220 - 240V	100,000

<b>Large</b>										
0066606	Skyline Street L 10-16klm NW MR15 I 9022	64	147	16,307	111	MR15	4000 K	Class I	220 - 240V	85,000
0066607	Skyline Street L 10-16klm NW MR06 I 9022	64	147	15,900	108	MR06	4000 K	Class I	220 - 240V	85,000
0066608	Skyline Street L 10-16klm NW NR10 I 9022	64	147	17,029	116	NR10	4000 K	Class I	220 - 240V	85,000
0066620	Skyline Street L 10-16klm NW MR22 I 9022	64	147	17,496	119	MR22	4000 K	Class I	220 - 240V	85,000
0066626	Skyline Street L 10-16klm NW MR21 I 9022	64	147	17,099	116	MR21	4000 K	Class I	220 - 240V	85,000
0066629	Skyline Street L 10-16klm NW NR14 I 9022	64	147	17,260	117	NR14	4000 K	Class I	220 - 240V	85,000
0066611	Skyline Street L 10-16klm NW XR18 I 9022	64	147	13,660	93	XR18	4000 K	Class I	220 - 240V	85,000
0066614	Skyline Street L 10-16klm NW WR35 I 9022	64	147	16,393	112	WR35	4000 K	Class I	220 - 240V	85,000
0066623	Skyline Street L 10-16klm NW MR20 I 9022	64	147	16,603	113	MR20	4000 K	Class I	220 - 240V	85,000

<b>Extra Large</b>										
0066752	Skyline Street XL 17-30klm NW MR15 I 9022	112	244	30042	123	MR22	4000 K	Class I	220 - 240V	100,000
0066751	Skyline Street XL 17-30klm NW MR06 I 9022	112	244	28554	117	MR06	4000 K	Class I	220 - 240V	100,000
0066755	Skyline Street XL 17-30klm NW NR10 I 9022	112	244	30600	125	MR15	4000 K	Class I	220 - 240V	100,000
0066759	Skyline Street XL 17-30klm NW XR18 I 9022	112	244	28134	115	MR20	4000 K	Class I	220 - 240V	100,000
0066758	Skyline Street XL 17-30klm NW WR35 I 9022	112	244	30982	127	MR21	4000 K	Class I	220 - 240V	100,000
0066750	Skyline Street XL 17-30klm NW MR22 I 9022	112	244	30262	124	NR10	4000 K	Class I	220 - 240V	100,000
0066753	Skyline Street XL 17-30klm NW MR20 I 9022	112	244	30009	123	NR14	4000 K	Class I	220 - 240V	100,000
0066754	Skyline Street XL 17-30klm NW MR21 I 9022	112	244	31238	128	NR17	4000 K	Class I	220 - 240V	100,000
0066756	Skyline Street XL 17-30klm NW NR14 I 9022	112	244	30362	124	WR35	4000 K	Class I	220 - 240V	100,000
0066757	Skyline Street XL 17-30klm NW NR17 I 9022	112	244	29921	123	XR18	4000 K	Class I	220 - 240V	100,000

# Skyline LED

## Product information

## Product overview on page 71

Code	Description	Power Consumption (W)	Luminous Flux (lm)	Efficacy (lm/W)	Colour Temperature (K)	Voltage (V)	Electrical safety	Dimmable	Lifetime (h)
<b>Medium</b>									
0043561	Skyline LED 23K SYM DALI WH	160	20,500	128	4,000	220-240V	Class I	DALI	50,000
0043562	Skyline LED 18K ASYM DALI WH	120	16,000	133	4,000	220-240V	Class I	DALI	50,000
<b>Mini</b>									
0043565	Skyline LED Mini 10K SYM WHITE	74	10,444	141	4,000	220-240V	Class I	no	76,000
0043566	Skyline LED Mini 6K ASYM WHITE	47	6,208	132	4,000	220-240V	Class I	no	76,000

