

PHILIPS hue

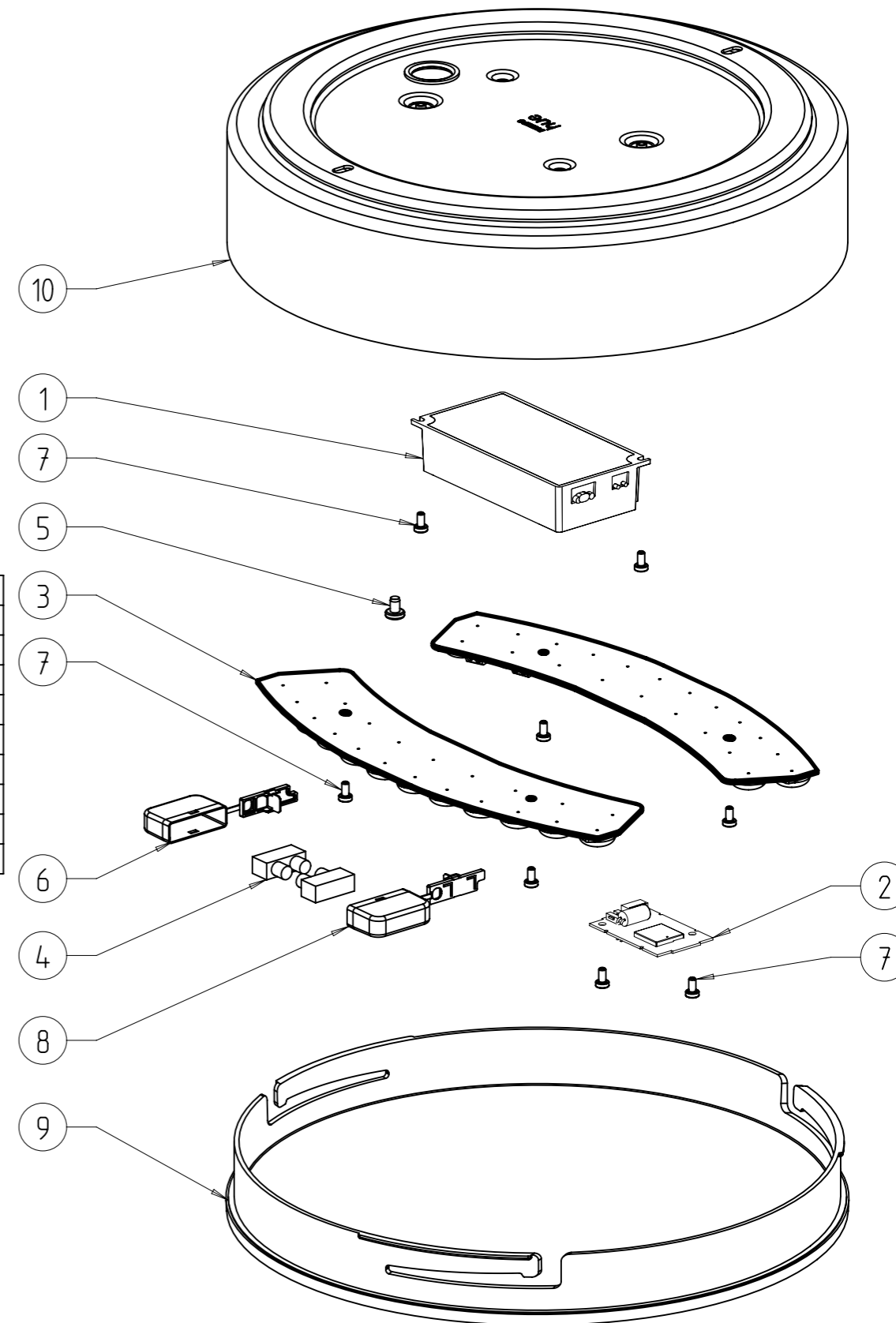
Warnings

Always make sure the luminaire is detached from the mains socket
 Always make sure the DC cable is detached from the power supply
 Staring at the operating light source may cause eye injury

#	Disassemble/dismantle steps	Tools needed
a	Rotate the diffuser [9] by hand counter clockwise until it unsnap. Lift the diffuser up to remove it from the base [10]	-
b	Remove terminal block [4] by unscrewing wires of the control gear - psu [1], remove cover N [6] and cover L [8]	FLATHEAD SCREWDRIVER
c	Remove low voltage wires of Control gear - psu [1] from Light source - hue connect [2]	-
d	Unplug wires from light source-hue connect [2]	FLATHEAD SCREWDRIVER OR WAGO TOOL #2065
e	Unplug wires from light source-led modules [3]	WAGO TOOL #2060
f	Unscrew 2 screws [7] and remove light source-hue connect [2]	TORXHEAD SCREW DRIVER T10
g	Unscrew 2 screws [7] and remove light source-led modules [3]	TORXHEAD SCREW DRIVER T10
h	Unscrew 2 screws [7] and remove light Control gear - psu [1]	TORXHEAD SCREW DRIVER T10
i	Unscrew and remove 1 screw [5]	CROSSHEAD SCREWDRIVER PZ

#	COMPONENT	QTY
1	Control gear - psu	1
2	Light source - hue connect	1
3	Light source -led module	2
4	Terminal block	2
5	Screw	1
6	Cover N	1
7	Screws	8
8	Cover L	1
9	Diffuser	1
10	Base	1

SKU	Color	Country
915005996401	White	EU/UK
915005996501	Black	EU/UK



STATUS	DESCRIPTION D0068647 Enrave S ceiling lamp white/black 1x10W 24V,Disassembly instruction	DESIGN ID D0068647	01	2021-06-11
NAME	Kudlaty, Pawel	LOCAL PART ID	SH. 1	SH. 511
CHECKED	DATE 2021-06-11			A3-L
CONFIDENTIAL, PROPERTY OF: © 2020 Signify Holding				